

**hsc**

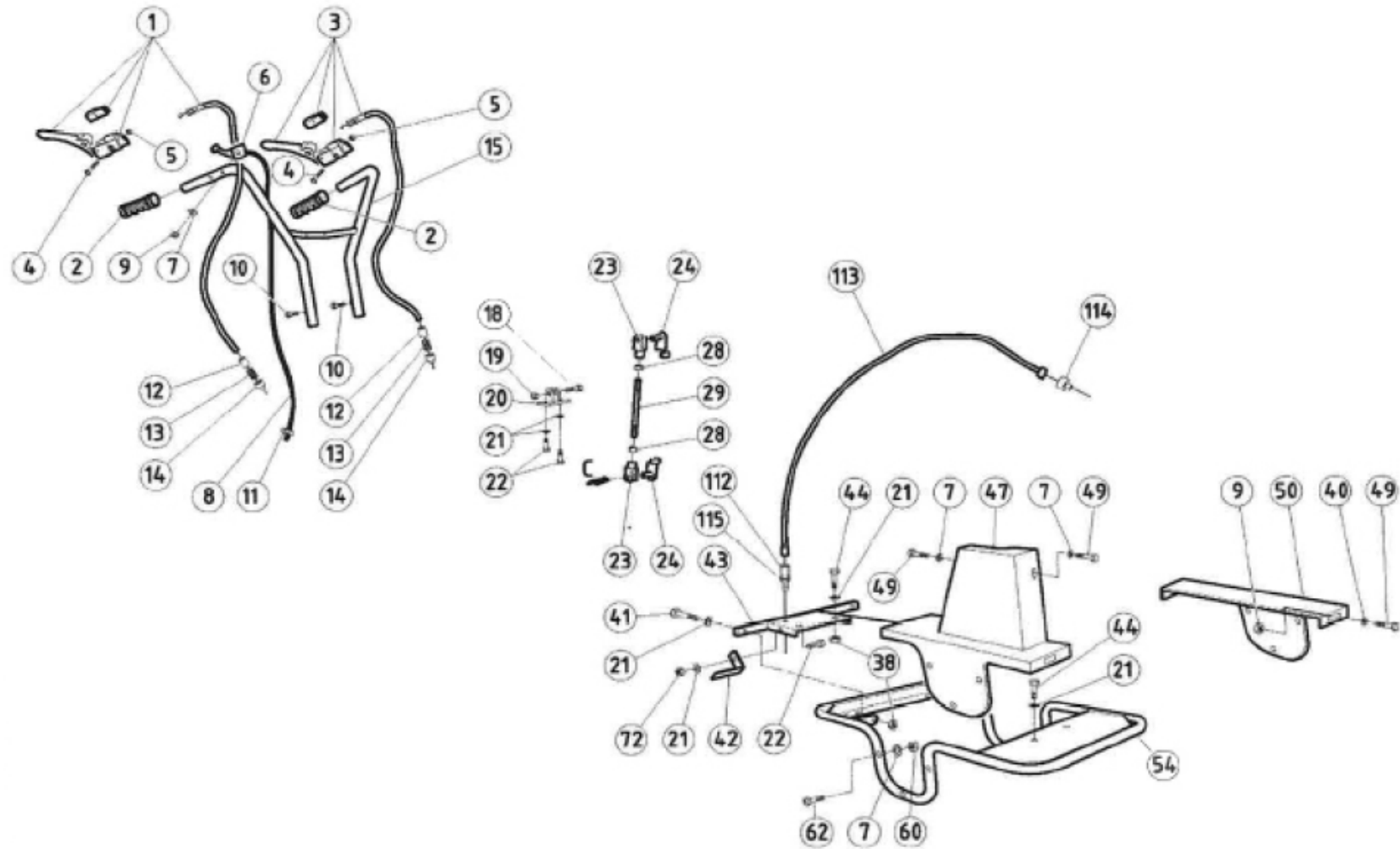
Dedicated Diligent **Distrubution**

**SPARE PARTS SPECIALISTS**

*Since 1979*



**TC30**  
**PARTS LIST**  
**With**  
**Explosive**  
**Diagrams**

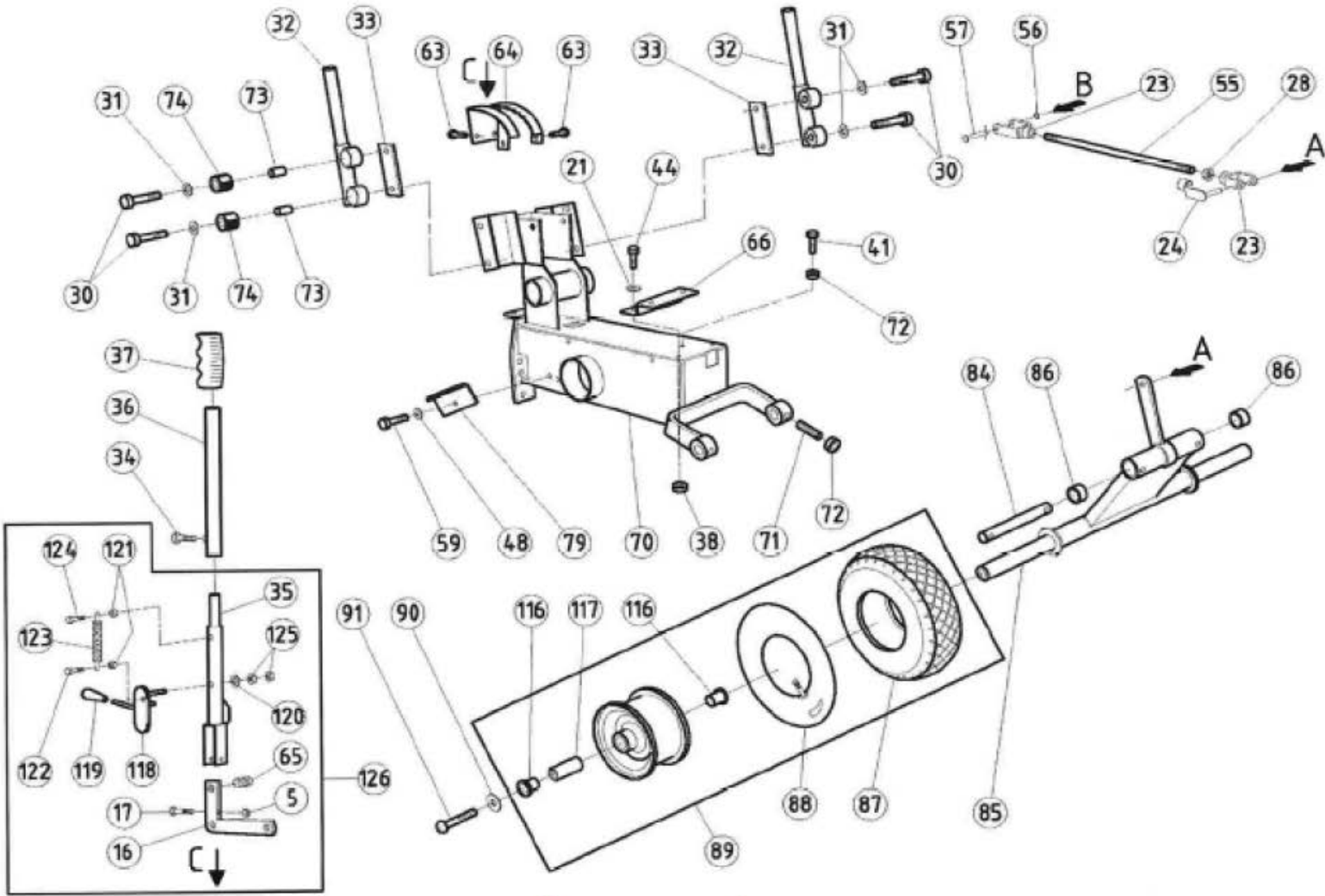


26,000 online products [www.hscmsc.co.uk](http://www.hscmsc.co.uk)



ILLUSTRATION NUMBER	PART NUMBER	BIRCHWOOD PART NUMBER	DESCRIPTION
<b>DRAWING REF: 1</b>			
1	T095700	GMTC-1-3-01, GMTC-1-3-11	R/H LEVER C/W CABLE
2	T096200	GMTC-1-3-08	TUBE GRIP
3	T095800	GMTC-1-3-01, GMTC-1-3-05	L/H LEVER C/W CABLE
4	CC21500	GMTC-1-3-07	SCREW M6x55
5	CC01100	GMTC-1-3-02	SELF LOCKING NUT M6
6	T096000	GMTC-1-3-06	THROTTLE LEVER
7	CC02700	GMTC-1-3-48	WASHER
8	T095900	GMTC-1-3-61	ACCELERATOR CABLE
9	CC16900	GMTC-1-3-09	SELF LOCKING NUT M6
10	T098700	GMTC-1-3-10	SCREW
11	T096100	GMTC-1-3-45	CLAMP
12	M063200	GMTC-1-3-12	SPRING GUIDE
13	CC16200	GMTC-1-3-13	SPRING
14	M063300	GMTC-1-3-14	CABLE GUIDE
15	T098100	GMTC-1-3-15	HANDLE
18	T098900	GMTC-1-3-18	BOLT 10X50 CUT TO 40MM
19	CC17000	GMTC-1-3-19	SELF LOCKING NUT M10
20	T095200	GMTC-1-3-20	HEIGHT ADJUSTMENT LEVER SUPPORT
21	CC01800	GMTC-1-3-21	M8 WASHER
22	CC08900	GMTC-1-3-22	HEX HEAD SCREW M8x16
23	T096400	GMTC-1-3-23	Fork

ILLUSTRATION NUMBER	PART NUMBER	BIRCHWOOD PART NUMBER	DESCRIPTION
<b>DRAWING REF: 1</b>			
24	T096500	GMTC-1-3-24	FORK CLIP
28	CC16700	GMTC-1-3-28	M10 NUT
29	T093900	GMTC-1-3-29	HEIGHT ADJUSTMENT TIE ROD M10x200
38	CC08300	GMTC-1-3-38	SELF LOCKING NUT M8
40	CC01300	GMTC-1-3-40	WASHER 6x18x1.5
41	CC05900	GMTC-1-3-41	SCREW M8x25
42	T089400	NOT ON GMTC2	REAR BRACKET 15x3
43	T095500	GMTC-1-3-43	REAR GUARD SUPPORT
44	CC10000	GMTC-1-3-44	SCREW M8x20
47	T097400	GMTC-1-3-47	WELDED GUARD FOR BELTS
49	CC09500	GMTC-1-3-49	HEX HEAD SCREW M6x14
50	T097500	GMTC-1-3-50	SIDE GUARD LEFT HAND
54	T097300	GMTC-1-3-54	FRAME SUPPORTING THE GUARDS
60	CC09800	GMTC-1-3-60	SELF LOCKING NUT M5
62	CC17500	GMTC-1-3-62	SCREW M5 x 30
72	CC00200	GMTC-1-3-72	NUT M8
112	F079800	NOT ON GMTC2	ADJUSTER M6x40
113	T089000	NOT ON GMTC2	BRAKE CONTROL CABLE
114	F079600	NOT ON GMTC2	SHEATH BUSHING
115	CC25600	NOT ON GMTC2	NUT M6



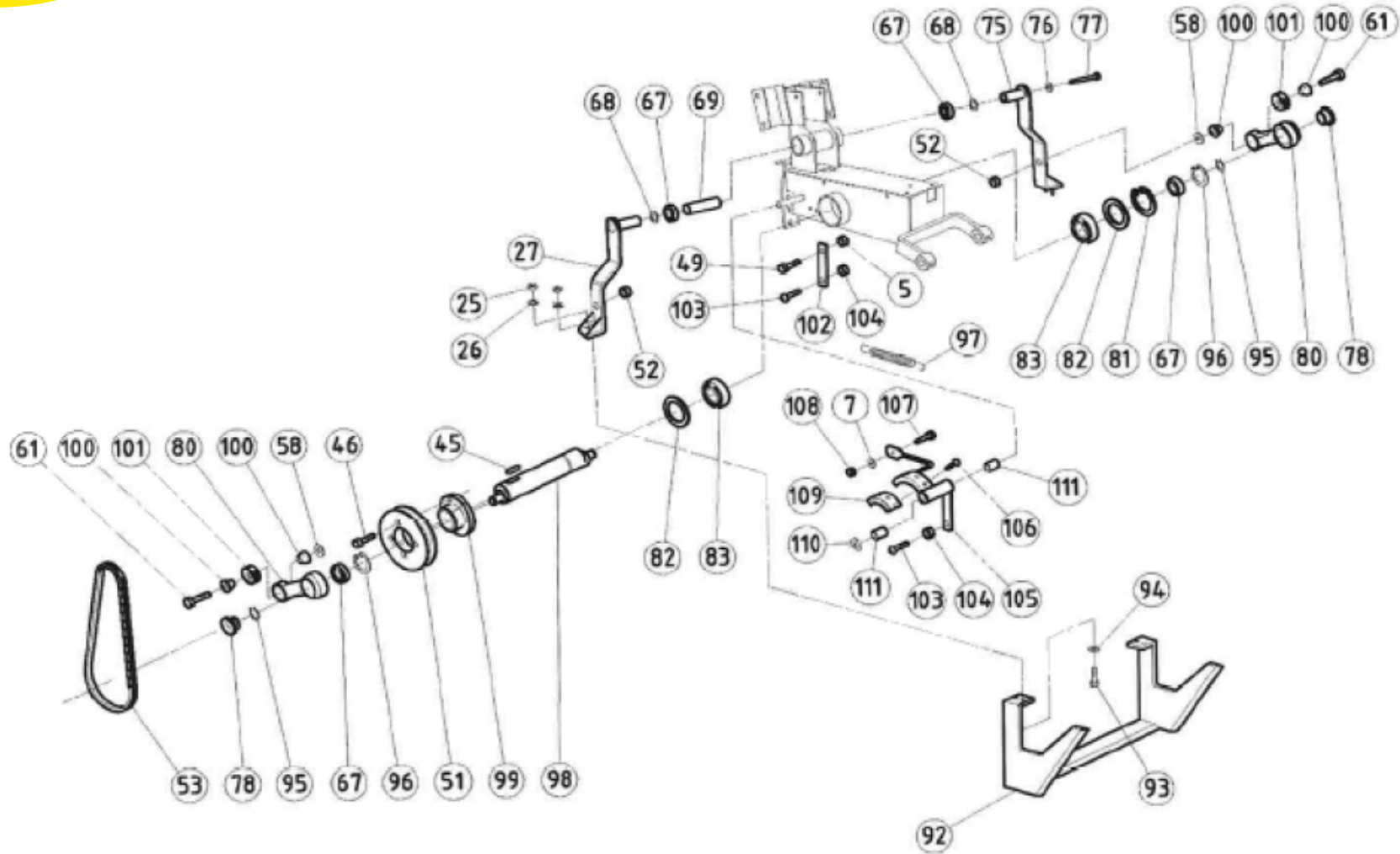
26,000 online products [www.hscmsc.co.uk](http://www.hscmsc.co.uk)



ILLUSTRATION NUMBER	PART NUMBER	BIRCHWOOD PART NUMBER	DESCRIPTION
<b>DRAWING REF: 2</b>			
5	CC01100	GMTC-1-3-51	SELF LOCKING NUT M6
16	T094700	GMTC-1-3-16	LEVER
17	T098800	GMTC-1-3-17	SCREW 6x45 CUT TO 37MM
21	CC01800	GMTC-1-3-42	WASHER
23	T096400	GMTC-1-3-23	FORK 03216055
24	T096500	GMTC-1-3-24	FORK CLIP
28	CC16700	GMTC-1-3-28	NUT M10
30	CC16800	GMTC-1-3-30	SCREW M10x50 PART THREADED
31	CC16500	GMTC-1-3-31	WAVE WASHER 10x21
32	T092900	GMTC-1-3-32	HANDLE SUPPORT
33	T095100	GMTC-1-3-33	PLATE 20x8x90
34	T099800	GMTC-1-3-34	SCREW M8x16
35	T084500	DIFFERENT TO GMTC2	HEIGHT ADJUSTMENT LEVER
36	T098200	GMTC-1-3-36	EXTENSION FOR HEIGHT ADJUSTMENT LEVER
37	M063600	GMTC-1-3-37	HEIGHT LEVER KNOB
38	CC08300	GMTC-1-3-38	SELF LOCKING NUT M8
41	CC05900	GMTC-1-3-41	SCREW M8x25
44	CC10000	GMTC-1-3-44	SCREW M8x20
48	CC02700	GMTC-1-3-48	WASHER
55	T094000	GMTC-1-3-55	CONNECTION TIE ROD
56	CC17400	GMTC-1-3-56	ROLL PIN 2.5x30
57	T096300	GMTC-1-3-57	PIVOT

ILLUSTRATION NUMBER	PART NUMBER	BIRCHWOOD PART NUMBER	DESCRIPTION
<b>DRAWING REF: 2</b>			
59	CC12500	GMTC-1-3-59	HEX HEADED SCREW M6x10
63	CC01900	GMTC-1-3-63	SCREW BUTTON 8x12
64	T084900	GMTC-1-3-64	REPLACED BY T095300
64	T095300	GMTC-1-3-64	HEIGHT TOOTH QUADRANT
65	CC16300	GMTC-1-3-65	SPRING 13x25cm
66	T095600	GMTC-1-3-66	FRONT GUARD SUPPORT
70	T091600	GMTC-1-3-70	TURF CUTTER BODY
71	CC17600	GMTC-1-3-71	POINTED DOWLE BOLT M8x16
72	CC00200	GMTC-1-3-72	NUT M8
73	T099000	GMTC-1-3-73	BUSHING 12x10x28
74	T099100	GMTC-1-3-74	VIBRATION DAMPER 30x12x28
79	T094300	GMTC-1-3-79	BELT GUIDE 25x40
84	T097800	GMTC-1-3-84	PIVOT FOR FRONT AXLE
85	T091900	GMTC-1-3-85	COMPLETE FRONT AXLE
86	T098300	GMTC-1-3-86	BRONZE SELF LUBRICATING BUSH 16x20x22
87	T090703	NOT SHOWN ON GMTC2 PARTS LIST	FRONT TYRE
88	T090701	GMTC-1-3-88	INNER TUBE FOR FRONT WHEEL
89	T088100	DIFFERENT TO GMTC2	FRONT WHEEL ASSEMBLY 300-4
90	CC06400	GMTC-1-3-90	SPLASHBOARD WASHER 8x32x2.5
91	CC08900	GMTC-1-3-91	SCREW M8x16
116	T088101	NOT ON GMTC2	WHEEL BUSHING
117	T088102	NOT ON GMTC2	BEARING

26,000 online products [www.hscmsc.co.uk](http://www.hscmsc.co.uk)

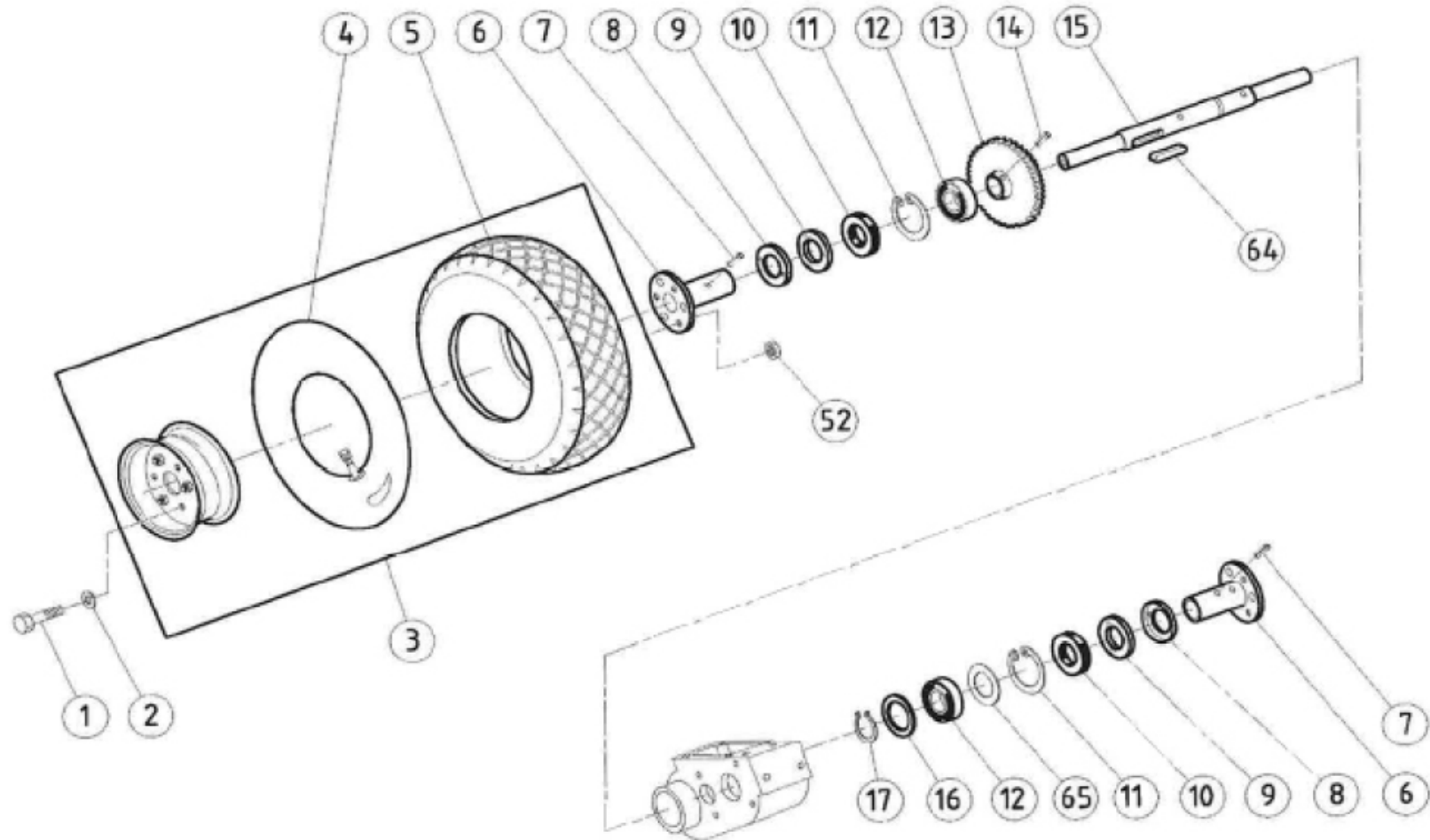


26,000 online products [www.hscmsc.co.uk](http://www.hscmsc.co.uk)



ILLUSTRATION NUMBER	PART NUMBER	BIRCHWOOD PART NUMBER	DESCRIPTION
<b>DRAWING REF: 3</b>			
5	CC01100	NOT ON GMTC2	SELF LOCKING NUT M6
7	CC02700	NOT ON GMTC2	WASHER
25	CC14600	GMTC-1-3-25	NUT M8
26	CC13700	NOT ON GMTC2	GROWER WASHER
27	T092500.1	GMTC-1-3-27	REPLACED BY KIT 97613800
27	97613800	GMTC-1-3-27 & GMTC-1-3-75	BLADE CONTROL ARM KIT RIGHT & LEFT HAND
45	CC18200	GMTC-1-3-103	KEY 8x7x25
46	CC20700	GMTC-1-3-46	SCREW M6x25
49	CC09500	GMTC-1-3-49	SCREW M6x14
51	T091200	GMTC-1-3-104	PULLEY FOR SHAFT WITH ECCENTRICS
52	CC17300	GMTC-1-3-52	NUT M12
53	T090000	GMTC-1-3-53	BELT (SHORT) 48x290
58	CC08000	GMTC-1-3-58	WASHER
61	T099300	GMTC-1-3-102	HEX HEAD SCREW 12x60 CUT TO 45mm
67	CC15300	GMTC-1-3-97	BEARING 17x40x12 6203-2RS
68	CC13800	GMTC-1-3-68	SHIM PS 17x24x0.5
69	T093600	GMTC-1-3-69	BUSHING 27x85x17
75	T094800.1	GMTC-1-3-75	REPLACED BY KIT 97613800
75	97613800	GMTC-1-3-75 & GMTC-1-3-27	BLADE CONTROL ARM KIT RIGHT & LEFT HAND
76	CC07000	GMTC-1-3-76	GROWER WASHER
77	CC17700	GMTC-1-3-77	SCREW M6x18 PART THREADED
78	T099200	GMTC-1-3-78	CONNECTING ROD PLASTIC COVER
80	T091800	GMTC-1-3-80	CONNECTING ROD
81	CC17800	GMTC-1-3-81	CIRCLIP E35

ILLUSTRATION NUMBER	PART NUMBER	BIRCHWOOD PART NUMBER	DESCRIPTION
<b>DRAWING REF: 3</b>			
82	CC17900	GMTC-1-3-82	SHIM PS 35x45x0.5
83	CC15200	GMTC-1-3-83	BEARING 35x62x14 6007-2RS
92	T098500	GMTC-1-3-92KIT	CUTTING BLADE
92	MPMD4264		Blade
93	T087400	GMTC-1-3-26	SCREW M8x26
94	CC07900	GMTC-1-3-94	WAVE WASHER
95	CC07500	GMTC-1-3-95	CIRCLIP E17
96	CC19100	GMTC-1-3-96	CIRCLIP I40
97	E055500	NOT ON GMTC2	SPRING
98	T091700	GMTC-1-3-98	SHAFT WITH ECCENTRICS
99	T091300	GMTC-1-3-99	LOCKING HUB PULLEY
100	T093500	GMTC-1-3-100	SEMI-CONE BUSHING 27x13x12
101	T096700	GMTC-1-3-101	RUBBER PAD
102	T089100	NOT ON GMTC2	SPRING HOOK
103	CC00100	NOT ON GMTC2	SCREW BUTTON 6x16
104	CC25600	NOT ON GMTC2	NUT M6
105	T089200	NOT ON GMTC2	BRAKE
106	CC34100	NOT ON GMTC2	SCREW 4x18
107	F076600	NOT ON GMTC2	CLAMP 7x20
108	CC09200	NOT ON GMTC2	NUT M6
109	T088900	NOT ON GMTC2	BRAKE PAD
110	CC19800	NOT ON GMTC2	E-CLIP D10
111	CC21800	NOT ON GMTC2	SELF-LUBRICATING BUSH



26,000 online products [www.hscmsc.co.uk](http://www.hscmsc.co.uk)

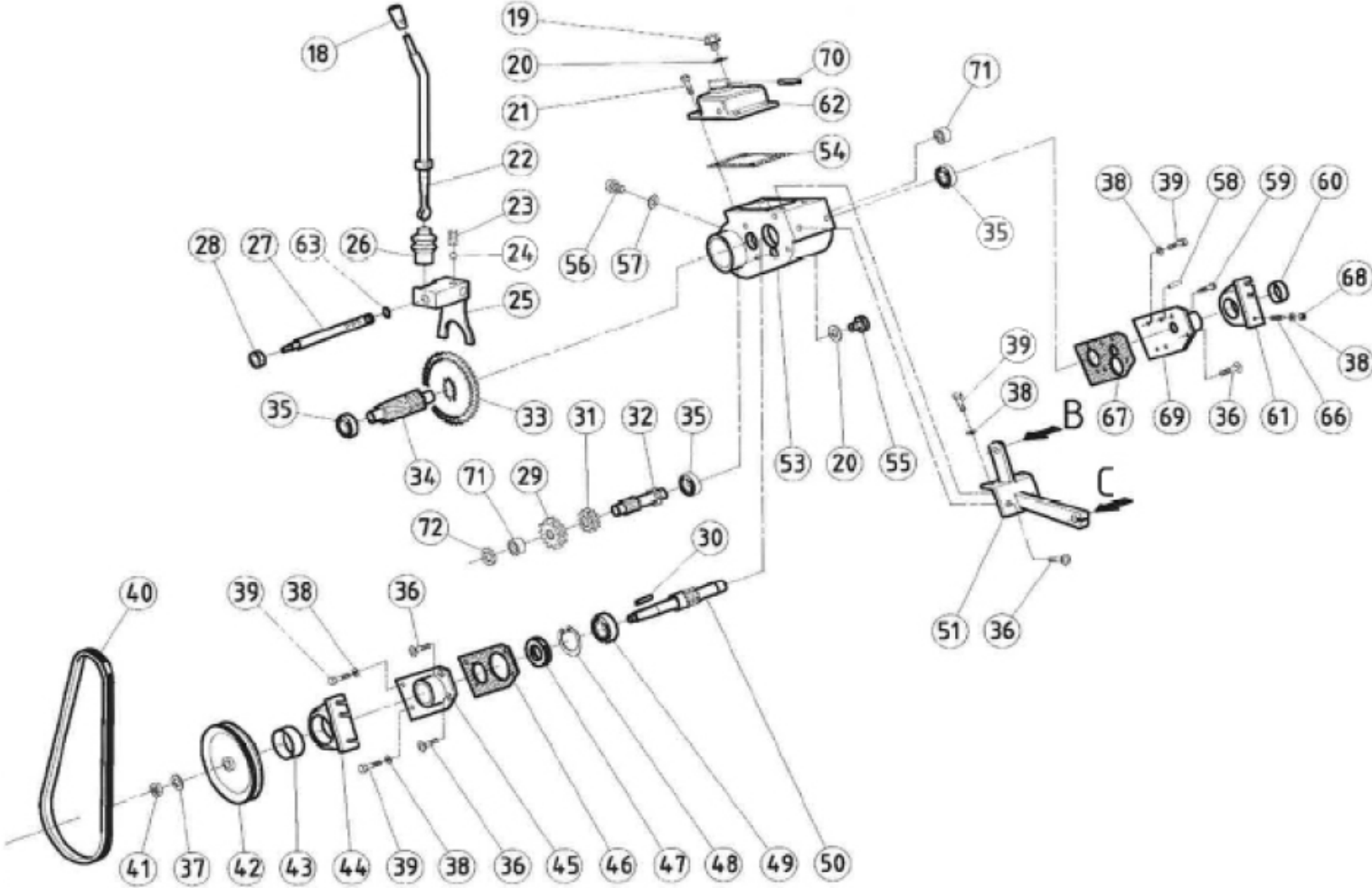




ILLUSTRATION NUMBER	PART NUMBER	BIRCHWOOD PART NUMBER	DESCRIPTION
DRAWING REF:4			
1	CC08900	GMTC-1-3-91	SCREW M8x16
2	CC01800	GMTC-1-3-90	WASHER M8
3	T089700	GMTC-2-3-03	REAR WHEEL 4.10/3.50-4 ASSEMBLY
4	T098401	GMTC-2-3-04	REAR WHEEL INNER TUBE
5	T098402	NOT SOLD SEPARATELY BY BIRCHWOOD	TYRE FOR REAR WHEEL
6	T089800	GMTC-2-3-06	HUB FOR METAL RIMMED WHEEL
7	CC18300	GMTC-2-3-07	ELASTIC PIN 10x40
8	T099400	GMTC-2-3-08	DUST COVER
9	T099500	GMTC-2-3-09	FELT WASHER
10	S175400	GMTC-2-3-10	SEALING RING 25x52x7
11	CC05000	GMTC-2-3-11	CIRCLIP
12	CC10400	GMTC-2-3-12	BEARING 25x52x15 6205
13	T090200	GMTC-2-3-13	CROWN GEAR
14	CC23100	GMTC-2-3-14	POINTED DOWLE BOLT
15	T089900	GMTC-2-3-15	REAR AXLE OF METAL RIM
16	CC16100	GMTC-2-3-16	SHIM 25x35x1
17	T099600	GMTC-2-3-17	CIRCLIP E25
52	CC14600	NOT ON GMTC2	NUT M8
64	CC19500	GMTC-2-3-64	KEY 8x7x35
65	CC07100	GMTC-2-3-65	SHIM 42x52x0.5
23	T096400	GMTC-1-3-23	Fork

**Please Note:**

*Older machines will have plastic rear wheels, you can fit the metal wheel (T089700), but will also need to replace the hub (T089800)*



26,000 online products [www.hscmsc.co.uk](http://www.hscmsc.co.uk)

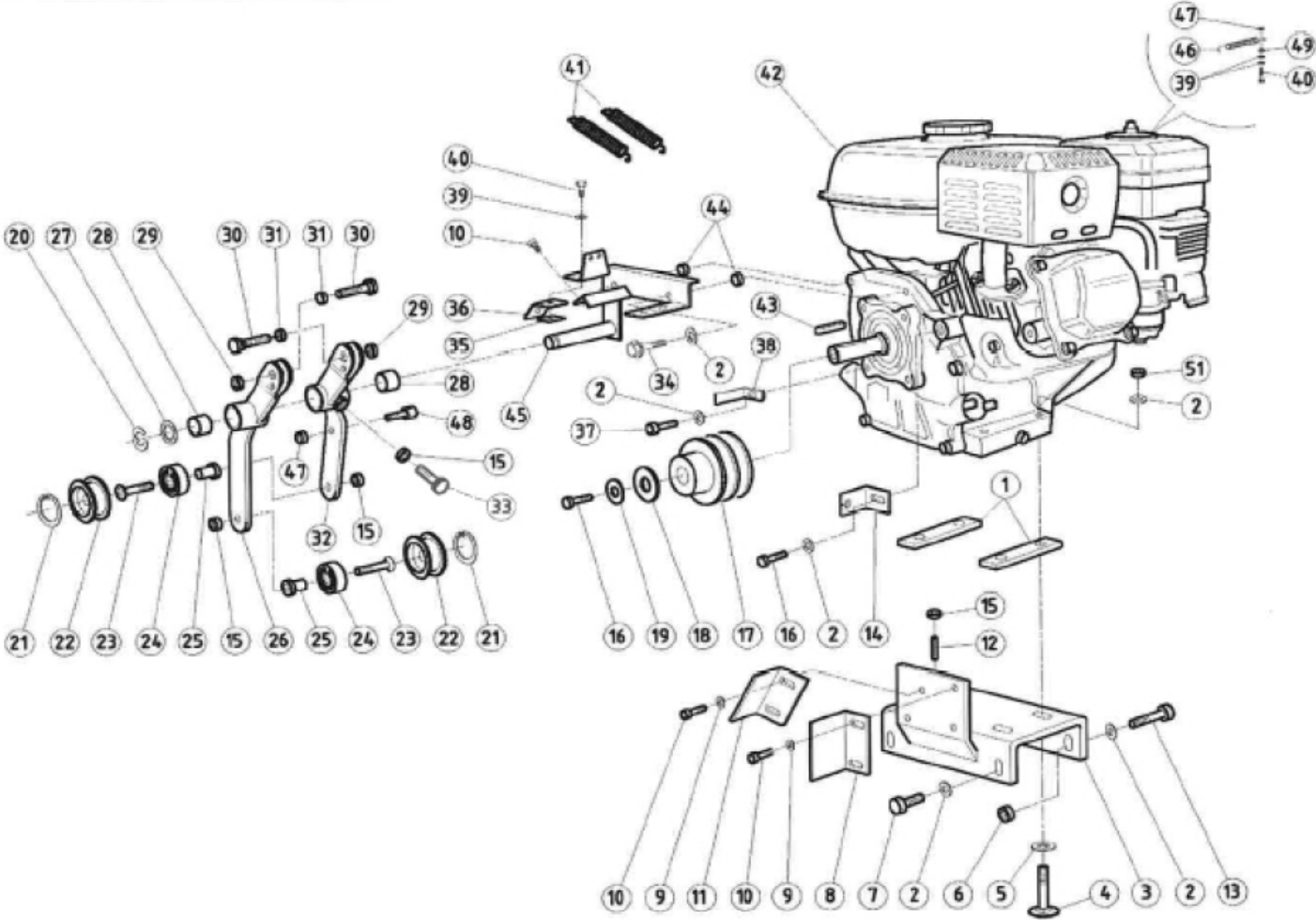


# Drawing Reference: 5 | Price & Parts List

Dated: March 2018

ILLUSTRATION NUMBER	PART NUMBER	BIRCHWOOD PART NUMBER	DESCRIPTION
<b>DRAWING REF: 5</b>			
18	CC23500	GMTC-2-3-18	PVC KNOB
19	CC18800	GMTC-2-3-19	PLASTIC CAP
20	CC18801	GMTC-2-3-20	FIBRE WASHER FOR PLASTIC CAP CC18800
21	CC18400	GMTC-2-3-21	SCREW M8x16
22	T092700	GMTC-2-3-22	ENGAGE/DISENGAGE LEVER
23	T097000	GMTC-2-3-23	GEAR FORK SPRING 6x25
24	CC18500	GMTC-2-3-24	BALL 1/4"
25	T087500	DIFFERENT TO GMTC2	FORK
26	CC18600	GMTC-2-3-26	GEAR LEVER HOOD
27	T087200	DIFFERENT TO GMTC2	REPLACED BY T087200.1
27	T087200.1	DIFFERENT TO GMTC2	FORK PIVOT
28	CC08300	GMTC-2-3-28	SELF-LOCKING NUT M8
29	T088700	DIFFERENT TO GMTC2	GEAR - REVERSE
30	CC18900	GMTC-2-3-30	KEY 5x5x18
31	T088500	NOT ON GMTC2	GEAR 2ND SPEED
32	T088600	DIFFERENT TO GMTC2	PINION
33	T088400	DIFFERENT TO GMTC2	GEAR 1st & 2nd SPEED
34	T090300.1	DIFFERENT TO GMTC2	PINION REDUCING GEAR
35	CC11300	GMTC-2-3-35	BEARING 15x35x11 6202RS
36	CC00500	GMTC-2-3-36	SCREW 8x18
37	CC08000	GMTC-2-3-37	WASHER
38	CC07900	GMTC-2-3-38	WAVE WASHER
39	CC10000	GMTC-2-3-39	SCREW M8x20

ILLUSTRATION NUMBER	PART NUMBER	BIRCHWOOD PART NUMBER	DESCRIPTION
<b>DRAWING REF: 5</b>			
40	T090100	GMTC-2-3-40	BIG BELT 48x430
41	CC17300	GMTC-2-3-41	NUT M12
42	T091400	GMTC-2-3-42	CAST IRON PULLEY DIA. 150MM
43	CC15800	GMTC-2-3-43	SELF LUBRICATING BUSH
44	T091000	GMTC-2-3-44	BOX SUPPORT (RH)
45	T087900	DIFFERENT TO GMTC2	RIGHT COVER
46	T087700	DIFFERENT TO GMTC2	RIGHT BRACKET GASKET
47	CC19300	GMTC-2-3-47	SEALING RING 17x40x7
48	CC19100	GMTC-2-3-48	CIRCLIP
49	CC22100	GMTC-2-3-49	BEARING 17x40
50	T088800	DIFFERENT TO GMTC2	PRIMARY PINION
51	T094900	GMTC-2-3-51	TIE ROD SUPPORT FOR HEIGHT CONTROL
53	T087100	DIFFERENT TO GMTC2	GEAR BOX HOUSING ONLY
54	T094600	GMTC-2-3-54	COVER GASKET
55	S174000	GMTC-2-3-55	INSET HEXAGONAL CAP
56	CC24900	NOT ON GMTC2	SCREW BUTTON M6x8
57	CC26000	NOT ON GMTC2	FIBRE WASHER 6X10
58	CC19200	GMTC-2-3-58	CYLINDRICAL PIN 8x18
59	CC01700	GMTC-2-3-59	BUTTON TYPE SCREW 8X16
60	CC15700	GMTC-2-3-60	SELF-LUBRICATING BUSH
61	T091100	GMTC-2-3-61	BOX SUPPORT (LH)
62	T090900	GMTC-2-3-62	BOX COVER
63	CC19600	GMTC-2-3-63	O-RING
66	T099700	GMTC-2-3-66	SCREW STUD M8
67	T087600	DIFFERENT TO GMTC2	LEFT BRACKET GASKET
68	CC00200	DIFFERENT TO GMTC2	NUT M8
69	T087800	DIFFERENT TO GMTC2	LEFT COVER
70	CC19400	GMTC-2-3-70	CYLINDRICAL PIN 6x35
71	CC34600	NOT ON GMTC2	BEARING
72	T084800	NOT ON GMTC2	SPACER



26,000 online products [www.hscmsc.co.uk](http://www.hscmsc.co.uk)



ILLUSTRATION NUMBER	PART NUMBER	BIRCHWOOD PART NUMBER	DESCRIPTION
<b>DRAWING REF: 6</b>			
1	T089600	NOT ON GMTC2	ENGINE SHIM 2x6
2	CC01800	GMTC-3-3-02	WASHER
3	T093800	GMTC-3-3-03	ENGINE SUPPORT WELDED
4	CC19700	GMTC-3-3-04	SCREW 8x40
5	CC20100	GMTC-3-3-05	WASHER SQUARE HOLE
6	CC08300	GMTC-3-3-06	SELF-LOCKING NUT M8
7	CC08900	GMTC-3-3-07	SCREW M8x16
8	T094200	GMTC-3-3-08	BELT GUIDE 25x20
9	CC04600	GMTC-3-3-09	WASHER
10	CC00900	GMTC-3-3-10	SCREW M5x8
11	T094100	GMTC-3-3-11	BELT GUIDE 25x36
12	CC20200	GMTC-3-3-12	DOWEL M8X35
13	CC10000	GMTC-3-3-13	SCREW M8x20
14	T097200	GMTC-3-3-14	GUARD SUPPORT BRACKET
15	CC14600	GMTC-3-3-34	NUT M8
16	CC23300	GMTC-3-3-16	SCREW
17	T091500	GMTC-3-3-17	ENGINE PULLEY
18	CC06400	GMTC-3-3-18	SPLASHBOARD WASHER 8x32
19	CC07900	GMTC-3-3-19	WAVE WASHER M8
20	CC19800	GMTC-3-3-20	E-CLIP
21	CC05800	GMTC-3-3-21	CIRCLIP 32mm
22	T092000	GMTC-3-3-22	ROLLER TIGHTENER 49x17
23	CC00300	GMTC-3-3-23	SCREW M8x25
24	CC05700	GMTC-3-3-24	BEARING 12x32x10
25	T092200	GMTC-3-3-25	BEARING BUSH

ILLUSTRATION NUMBER	PART NUMBER	BIRCHWOOD PART NUMBER	DESCRIPTION
<b>DRAWING REF: 6</b>			
26	T092400	GMTC-3-3-26	BELT TIGHTENER
27	C033700	GMTC-3-3-27	SHIM 12.2x24x0.8
28	CC05400	GMTC-3-3-28	SELF-LUBRICATING BUSH
29	CC09200	GMTC-3-3-29	NUT M6
30	T092100	GMTC-3-3-30	KEY CLAMP 10x20
31	M063500	GMTC-3-3-31	CLAMP SPACER 9x4x6
32	T095000	GMTC-3-3-32	BELT TIGHTENER
33	T098000	GMTC-3-3-33	TIGHTENER SCREW
34	CC08200	GMTC-3-3-04	SCREW M8x40
35	T097700	GMTC-3-3-25	SPECIAL NUT
36	T097100	GMTC-3-3-36	GUARD FIXING BRACKET
37	CC25700	NOT ON GMTC2	SCREW
38	T089500	NOT ON GMTC2	BELT GUIDE SLIDING BLOCK
39	CC02700	GMTC-3-3-39	WASHER
40	CC09500	GMTC-3-3-40	SCREW M6x14
41	T096800	GMTC-3-3-41	CABLE RETURN SPRING
42	CC10700	NOT SHOWN ON PARTS LIST	HONDA ENGINE
43	CC19900	GMTC-3-3-43	KEY 4.8x4.8x32
44	T092300	GMTC-3-3-44	SPACER 16x4.5x8
45	T092600	GMTC-3-3-45	TIGHTENER SUPPORT
46	T096900	GMTC-3-3-46	ACCELERATOR CABLE RETURN SPRING
47	CC01100	NOT ON GMTC2	SELF-LOCKING NUT M6
48	F079900	NOT ON GMTC2	WIRE HOLDER CYLINDRICAL PIN
49	CC25600	NOT ON GMTC2	NUT M6
50/51	CC00200	GMTC-3-3-01	NUT M8