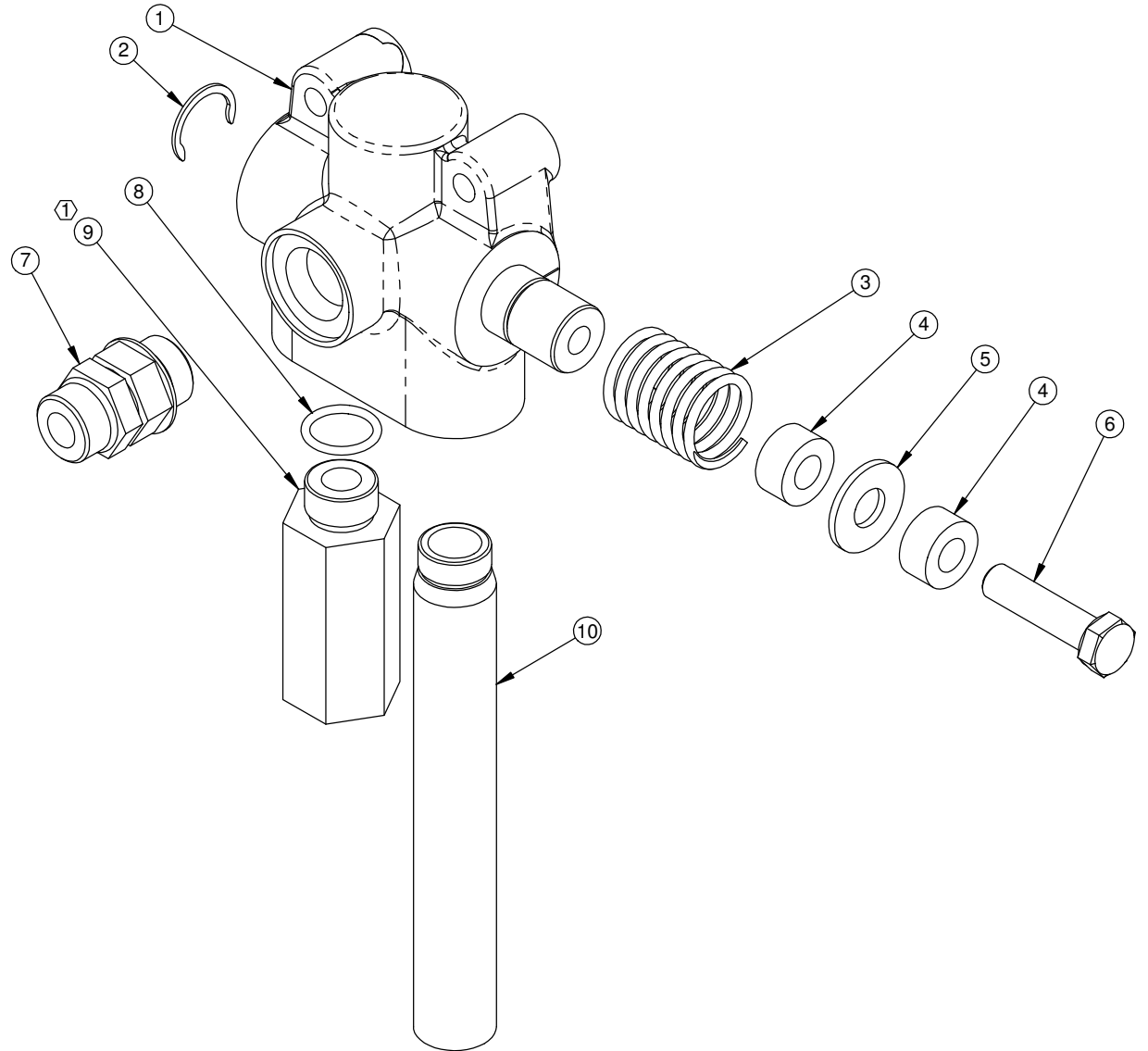


REF.	QTY.	PART NO.	DESCRIPTION
1	1	04016	ACTUATOR VALVE, O-RING PORTS
2	1	05028	C-CLIP, 3/4"
3	1	03055	SPRING, VALVE SPOOL RETURN
4	2	03056	COLLAR, 3/8 ID
5	1	05108	WASHER, 3/8 USS, ZINC
6	1	05092	HH CAP SCREW, 3/8-16 NC X 1-1/2 G5 ZINC
7	1	04567	FITTING, 6407-8-8
8	1	03077	O-RING, -8 FITTING
9	1	04008-BO	RELIEF VALVE, 3000 POUND, O-RING
10	1	10481	RETURN TUBE, #8 O-RING

① FOR 1620, USE PART NO. 04008-CO (3500 POUND RELIEF VALVE).



BARRETO

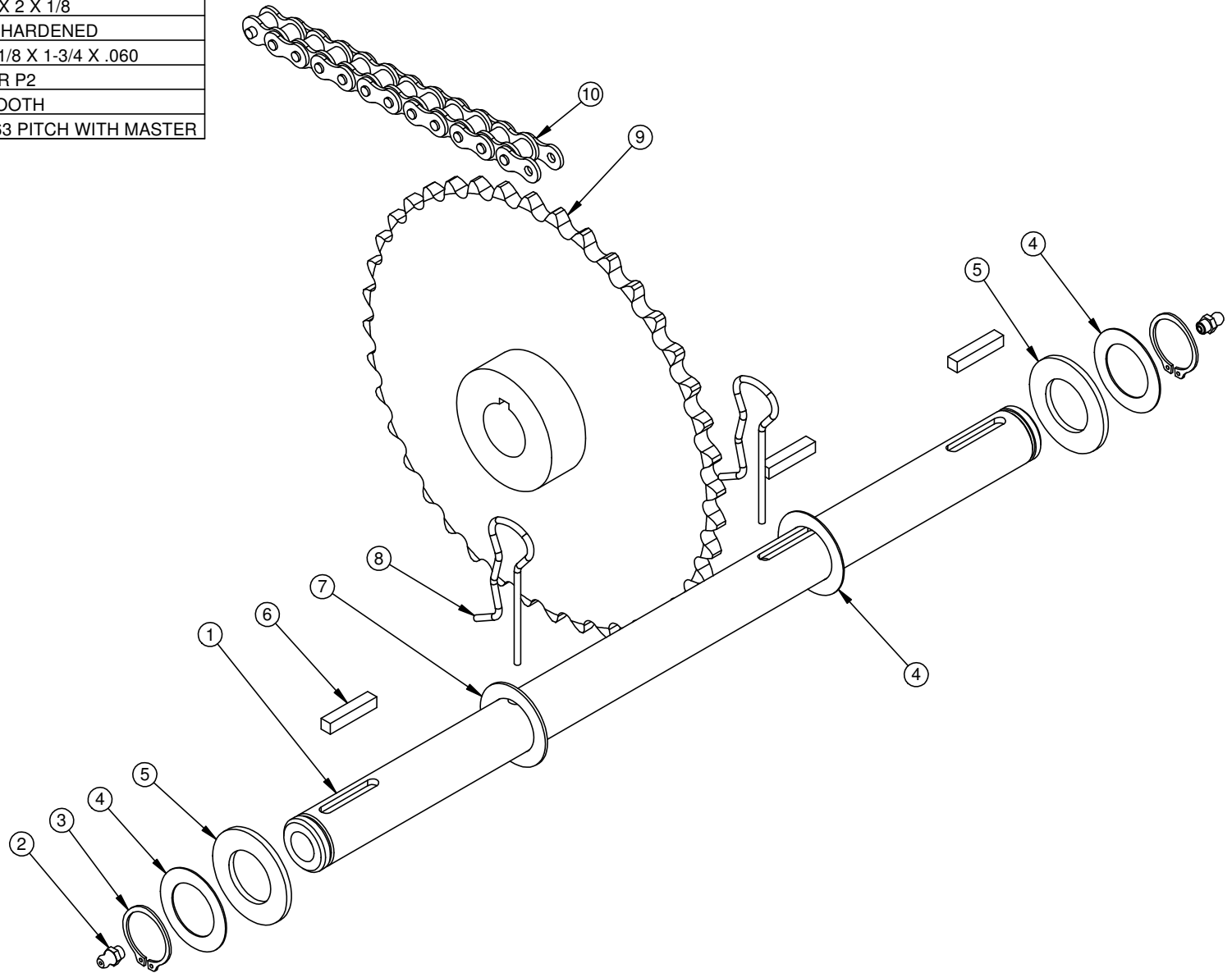
TITLE: ACTUATOR VALVE

PRODUCT LINE: 1320 & 1620 DATE: 1/4/05

SCALE: 1:1.8
SHEET 1 OF 1

DWG# 00277

REF.	QTY.	PART NO.	DESCRIPTION
1	1	10804	AXLE, FREE WHEEL HUBS ONLY
2	2	05044	GREASE ZERK, 1/4-28 UNF
3	2	05606	SNAP RING, 1-1/8" EXTERNAL
4	3	03008	THRUST WASHER, 1-1/8 X 1-3/4 X .030
5	2	03013	FELT WASHER, 1-1/8 X 2 X 1/8
6	3	05018	KEY, 1/4 X 1/4 X 1-1/4 HARDENED
7	1	03039	THRUST WASHER, 1-1/8 X 1-3/4 X .060
8	2	05033	HAIR SPRING COTTER P2
9	1	02006-F	SPROCKET, #50 40 TOOTH
10	1	03015-L	#50 ROLLER CHAIN, 63 PITCH WITH MASTER

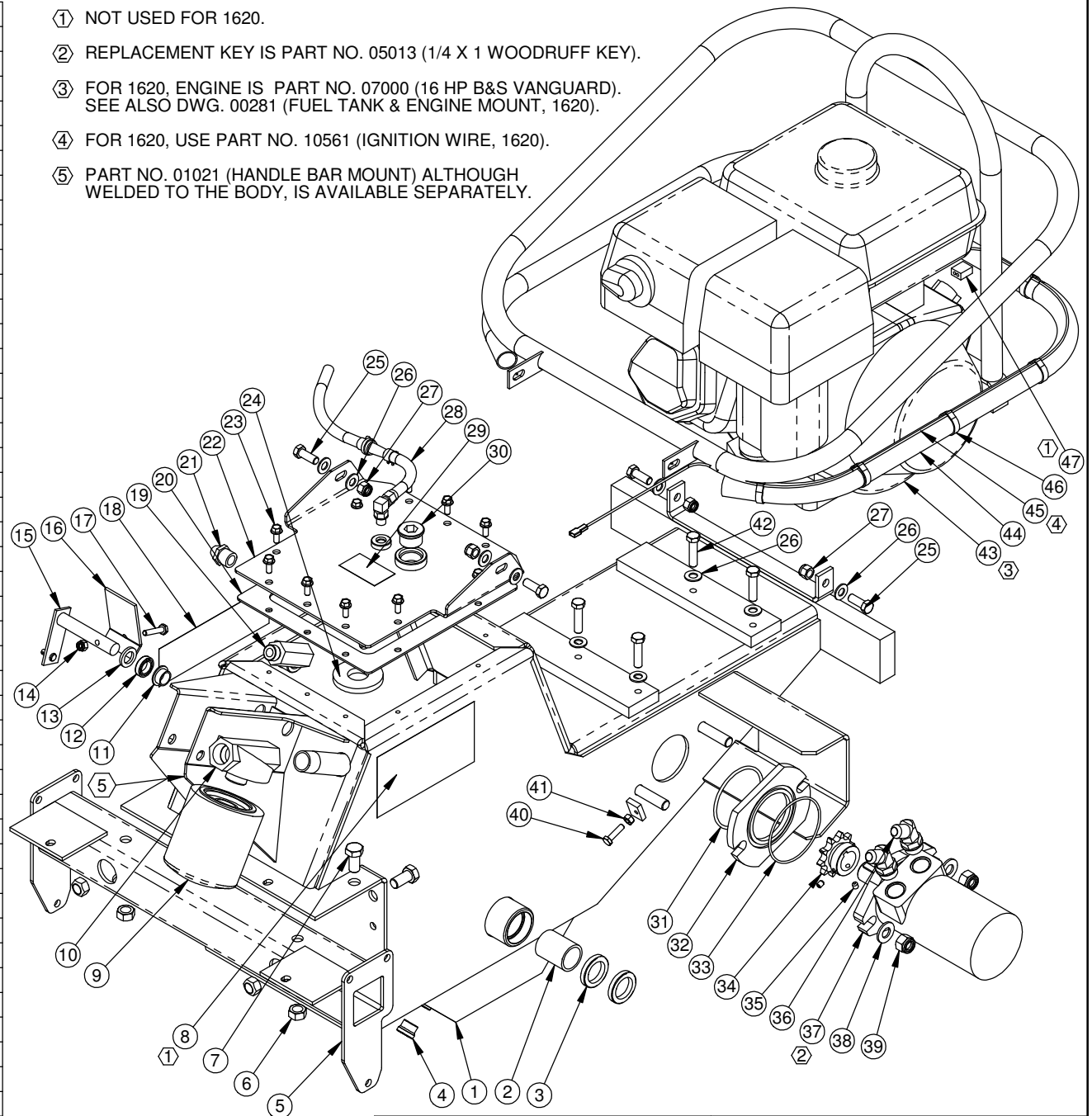


BARRETO

TITLE: AXLE,
FOR 1-1/8" FREE WHEEL HUBS
PRODUCT LINE: 1320 & 1620 7/21/05
SCALE: 1:3 DWG# 00278 R1
SHEET 1 OF 1

REF.	QTY.	PART NO.	DESCRIPTION
1	1	10532	BODY
2	2	03007	BUSHING, AXLE
3	4	03012	SEAL, AXLE
4	1	10361	FITTING, 6409-8 PLUG
5	1	10536	TORQUE TUBE, 21"
6	4	05046	NUT, GRIPCO, 1/2-13 NC
7	4	05067	HH CAP SCREW, 1/2-13 NC X 1 G5 ZINC
8	1	03040-10	DECAL, "1320"
9	1	03951	FILTER, HYDRAULIC OIL, WITH BY-PASS
10	1	04212-Z	OIL FILTER MOUNT
11	2	03060	BUSHING, NYLON, IGUS MFI-1012-06
12	1	03020	SEAL
13	1	03061	FELT WASHER, 5/8 X 1 X 1/8
14	1	05096	NUT, NYLOCK, 1/4-20 NC
15	1	01038	ACTUATOR ARM
16	1	01037	ACTUATOR PLATE
17	1	05125	HH CAP SCREW, 1/4-20 NC X 1-1/4 G5 ZINC
18	1	03040-11	DECAL, "BARRETO", 2-3/16 X 7-3/8
19	1	04009-O	RELIEF VALVE, 500 POUND, O-RING
20	1	03041	GASKET, TILLER LID
21	1	03503	SIGHT GAUGE
22	1	01022	LID
23	10	05069	WHIZ LOCK, 1/4-20 UNC X 5/8
24	1	03520	MAGNET
25	4	05056	HH CAP SCREW, 3/8-24 NF X 1 G5 ZINC
26	10	05101	WASHER, 3/8 SAE ZINC
27	4	05072	NUT, NYLOCK, 3/8-24 NF
28	1	04517 R1	BREATHER HOSE ASSEMBLY
29	1	03040-06	DECAL, "HYDRAULIC OIL ONLY"
30	1	10526	FITTING, 6409-12 PLUG
31	1	03000	O-RING, 2-234, 3-1/4 OD X 1/8 SECTION
32	1	02004	WHEEL MOTOR SPACER
33	1	03001	O-RING, 2-152, 3-7/16 OD X 3/32 SECTION
34	1	02014	SPROCKET, #50 10 TOOTH
35	2	05021	SET SCREW, 1/4-20 UNC X 5/16, CUP POINT
36	2	04557	FITTING, 6802-8-10
37	1	04003-F	WHEEL DRIVE MOTOR WITH KEY
38	2	05102	WASHER, 1/2 SAE ZINC HARDENED
39	2	05098	NUT, NYLOCK, 1/2-13 NC
40	1	05237	HH CAP SCREW, 1/4-20 NC X 1 G5 ZINC
41	1	05090	NUT, 1/4-20 NC ZINC
42	4	05092	HH CAP SCREW, 3/8-16 NC X 1-1/2 G5 ZINC
43	1	07005	ENGINE, 13 HP HONDA GX390
44	1	01033-B	ENGINE GUARD
45	1	06422	IGNITION WIRE, 78"
46	5	03035	TIE WRAP, 1/8 X 6
47	1	03806	QUICK-SPLICE

- ① NOT USED FOR 1620.
- ② REPLACEMENT KEY IS PART NO. 05013 (1/4 X 1 WOODRUFF KEY).
- ③ FOR 1620, ENGINE IS PART NO. 07000 (16 HP B&S VANGUARD). SEE ALSO DWG. 00281 (FUEL TANK & ENGINE MOUNT, 1620).
- ④ FOR 1620, USE PART NO. 10561 (IGNITION WIRE, 1620).
- ⑤ PART NO. 01021 (HANDLE BAR MOUNT) ALTHOUGH WELDED TO THE BODY, IS AVAILABLE SEPARATELY.



BARRETO

TITLE: BODY

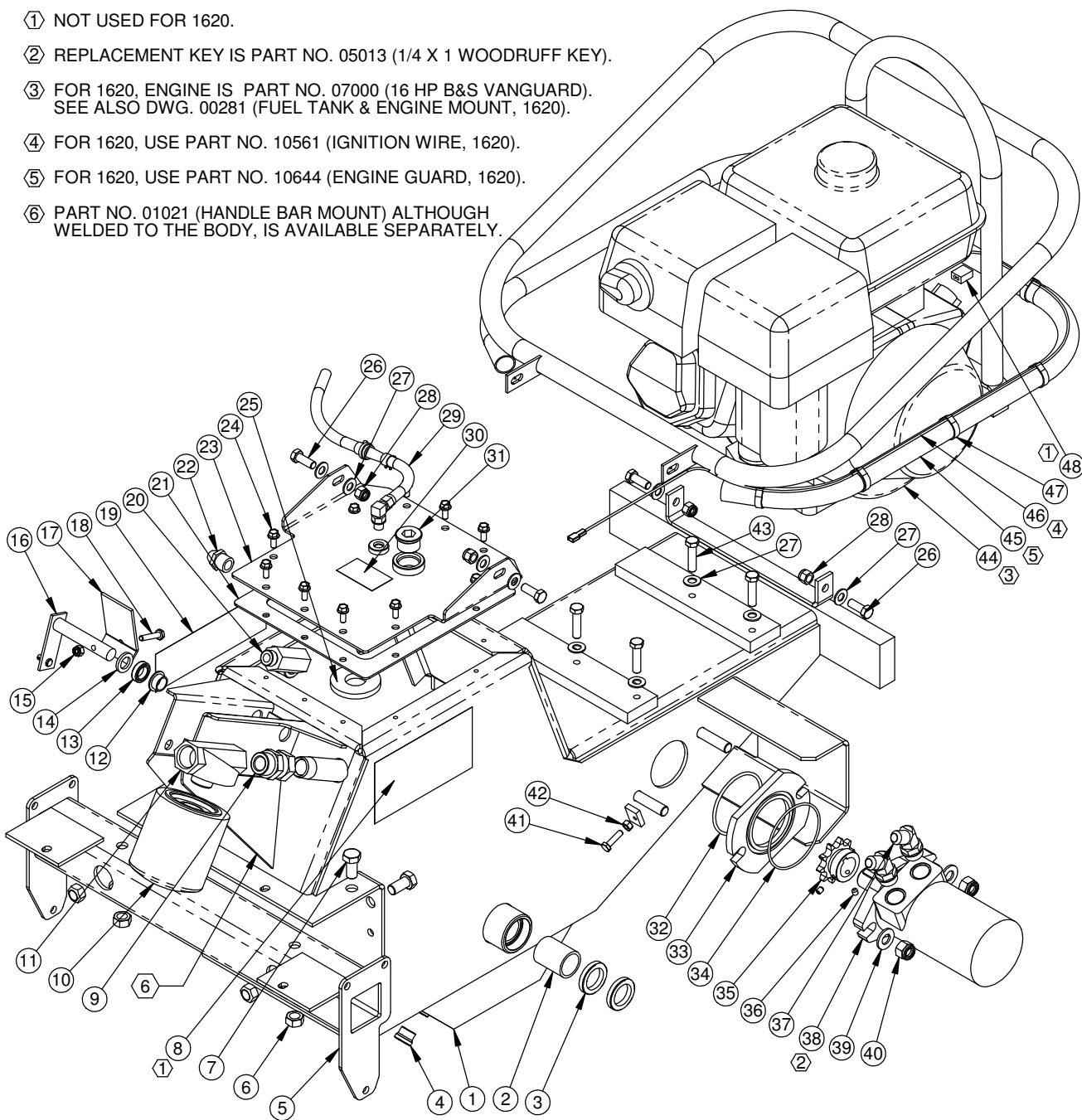
PRODUCT LINE: 1320 & 1620 DATE: 1/6/05

SCALE: 1:7.5
SHEET 1 OF 1

DWG# 00279 R2

REF.	QTY.	PART NO.	DESCRIPTION
1	1	10532	BODY
2	2	03007	BUSHING, AXLE
3	4	03012	SEAL, AXLE
4	1	10361	FITTING, 6409-8 PLUG
5	1	10536	TORQUE TUBE, 21"
6	4	05046	NUT, GRIPCO, 1/2-13 NC
7	4	05067	HH CAP SCREW, 1/2-13 NC X 1 G5 ZINC
8	1	03040-10	DECAL, "1320"
9	1	04221	FITTING, 6900-12-12
10	1	03951	FILTER, HYDRAULIC OIL, WITH BY-PASS
11	1	04403	FILTER HEAD, #12 O-RING PORTS
12	2	03060	BUSHING, NYLON, IGUS MFI-1012-06
13	1	03020	SEAL
14	1	03061	FELT WASHER, 5/8 X 1 X 1/8
15	1	05096	NUT, NYLOCK, 1/4-20 NC
16	1	01038	ACTUATOR ARM
17	1	01037	ACTUATOR PLATE
18	1	05125	HH CAP SCREW, 1/4-20 NC X 1-1/4 G5 ZINC
19	1	03040-11	DECAL, "BARRETO", 2-3/16 X 7-3/8
20	1	04009-O	RELIEF VALVE, 500 POUND, O-RING
21	1	03041	GASKET, TILLER LID
22	1	03503	SIGHT GAUGE
23	1	01022	LID
24	10	05069	WHIZ LOCK, 1/4-20 UNC X 5/8
25	1	03520	MAGNET
26	4	05056	HH CAP SCREW, 3/8-24 NF X 1 G5 ZINC
27	10	05101	WASHER, 3/8 SAE ZINC
28	4	05072	NUT, NYLOCK, 3/8-24 NF
29	1	04517 R1	BREATHER HOSE ASSEMBLY
30	1	03040-06	DECAL, "HYDRAULIC OIL ONLY"
31	1	10526	FITTING, 6409-12 PLUG
32	1	03000	O-RING, 2-234, 3-1/4 OD X 1/8 SECTION
33	1	02004	WHEEL MOTOR SPACER
34	1	03001	O-RING, 2-152, 3-7/16 OD X 3/32 SECTION
35	1	02014	SPROCKET, #50 10 TOOTH
36	2	05021	SET SCREW, 1/4-20 UNC X 5/16, CUP POINT
37	2	04557	FITTING, 6802-8-10
38	1	04003-F	WHEEL DRIVE MOTOR WITH KEY
39	2	05102	WASHER, 1/2 SAE ZINC HARDENED
40	2	05098	NUT, NYLOCK, 1/2-13 NC
41	1	05237	HH CAP SCREW, 1/4-20 NC X 1 G5 ZINC
42	1	05090	NUT, 1/4-20 NC ZINC
43	4	05092	HH CAP SCREW, 3/8-16 NC X 1-1/2 G5 ZINC
44	1	07005	ENGINE, 13 HP HONDA GX390
45	1	01033-B	ENGINE GUARD
46	1	06422	IGNITION WIRE, 78"
47	5	03035	TIE WRAP, 1/8 X 6
48	1	03806	QUICK-SPLICE

- ① NOT USED FOR 1620.
- ② REPLACEMENT KEY IS PART NO. 05013 (1/4 X 1 WOODRUFF KEY).
- ③ FOR 1620, ENGINE IS PART NO. 07000 (16 HP B&S VANGUARD). SEE ALSO DWG. 00281 (FUEL TANK & ENGINE MOUNT, 1620).
- ④ FOR 1620, USE PART NO. 10561 (IGNITION WIRE, 1620).
- ⑤ FOR 1620, USE PART NO. 10644 (ENGINE GUARD, 1620).
- ⑥ PART NO. 01021 (HANDLE BAR MOUNT) ALTHOUGH WELDED TO THE BODY, IS AVAILABLE SEPARATELY.



BARRETO

TITLE: BODY

PRODUCT LINE: 1320 & 1620 DATE: 4/25/05

SCALE: 1:7.5
SHEET 1 OF 1

DWG# 00279 R3

REF.	QTY.	PART NO.	DESCRIPTION
1	1	10532	BODY
2	2	03007	BUSHING, AXLE
3	4	03012	SEAL, AXLE
4	1	10361	FITTING, 6409-8 PLUG
5	1	10536	TORQUE TUBE, 21"
6	4	05046	NUT, GRIPCO, 1/2-13 NC
7	4	05067	HH CAP SCREW, 1/2-13 NC X 1 G5 ZINC
8	1	03040-10	DECAL, "1320"
9	1	04221	FITTING, 6900-12-12
10	1	03951	FILTER, HYDRAULIC OIL, WITH BY-PASS
11	1	04403	FILTER HEAD, #12 O-RING
12	1	04222	FITTING, 6410-12-8
13	2	03060	BUSHING, IGUS MFI-1012-06
14	1	03020	SEAL
15	1	03061	FELT WASHER, 5/8 X 1 X 1/8
16	1	05096	NUT, NYLOCK, 1/4-20 NC
17	1	01038	ACTUATOR ARM
18	1	01037	ACTUATOR PLATE
19	1	05125	HH CAP SCREW, 1/4-20 NC X 1-1/4 G5 ZINC
20	1	03040-11	DECAL, "BARRETO", 2-3/16 X 7-3/8
21	1	03041	GASKET, TILLER LID
22	1	03503	SIGHT GAUGE
23	1	03040-57	DECAL, "HYDRAULIC OIL LEVEL"
24	1	01022	LID
25	10	05069	WHIZ LOCK, 1/4-20 NC X 5/8 ZINC
26	1	03520	MAGNET
27	4	05056	HH CAP SCREW, 3/8-24 NF X 1 G5 ZINC
28	10	05101	WASHER, 3/8 SAE ZINC
29	4	05072	NUT, NYLOCK, 3/8-24 NF
30	1	04517 R1	BREATHER HOSE ASSEMBLY
31	1	03040-06	DECAL, "HYDRAULIC OIL ONLY"
32	1	10526	FITTING, 6409-12 PLUG
33	1	05090	NUT, 1/4-20 NC ZINC
34	1	05237	HH CAP SCREW, 1/4-20 NC X 1 G5 ZINC
35	1	03000	O-RING, 2-234, 3-1/4 OD X 1/8 SECTION
36	1	02004	WHEEL MOTOR SPACER
37	1	03001	O-RING, 2-152, 3-7/16 OD X 3/32 SECTION
38	1	02014	SPROCKET, #50 10 TOOTH
39	2	05021	SET SCREW, 1/4-20 UNC X 5/16, CUP POINT
40	2	04557	FITTING, 6802-8-10
41	1	04003-F	WHEEL DRIVE MOTOR WITH KEY
42	2	05102	WASHER, 1/2 SAE ZINC HARDENED
43	2	05098	NUT, NYLOCK, 1/2-13 NC
44	4	05092	HH CAP SCREW, 3/8-16 NC X 1-1/2 G5 ZINC
45	1	07007	ENGINE, 13 HP HONDA GX390 CYCLONE AIR
46	1	01033-B	ENGINE GUARD, 1320
47	1	06422	IGNITION WIRE, 78"
48	5	03035	TIE WRAP, 1/8 X 6
49	1	03806	QUICK-SPLICE

① NOT USED FOR 1620.

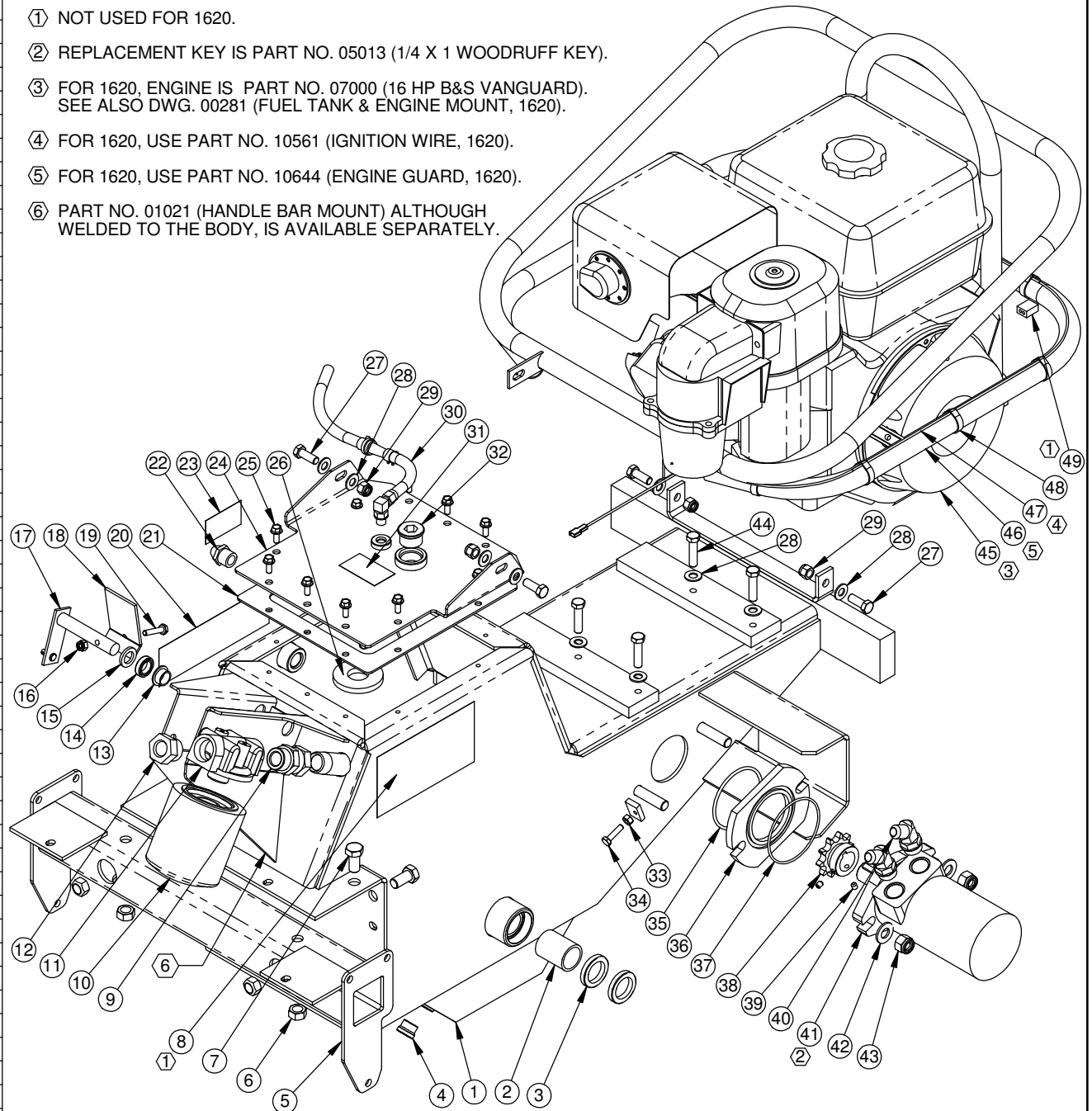
② REPLACEMENT KEY IS PART NO. 05013 (1/4 X 1 WOODRUFF KEY).

③ FOR 1620, ENGINE IS PART NO. 07000 (16 HP B&S VANGUARD). SEE ALSO DWG. 00281 (FUEL TANK & ENGINE MOUNT, 1620).

④ FOR 1620, USE PART NO. 10561 (IGNITION WIRE, 1620).

⑤ FOR 1620, USE PART NO. 10644 (ENGINE GUARD, 1620).

⑥ PART NO. 01021 (HANDLE BAR MOUNT) ALTHOUGH WELDED TO THE BODY, IS AVAILABLE SEPARATELY.



BARRETO

TITLE: BODY

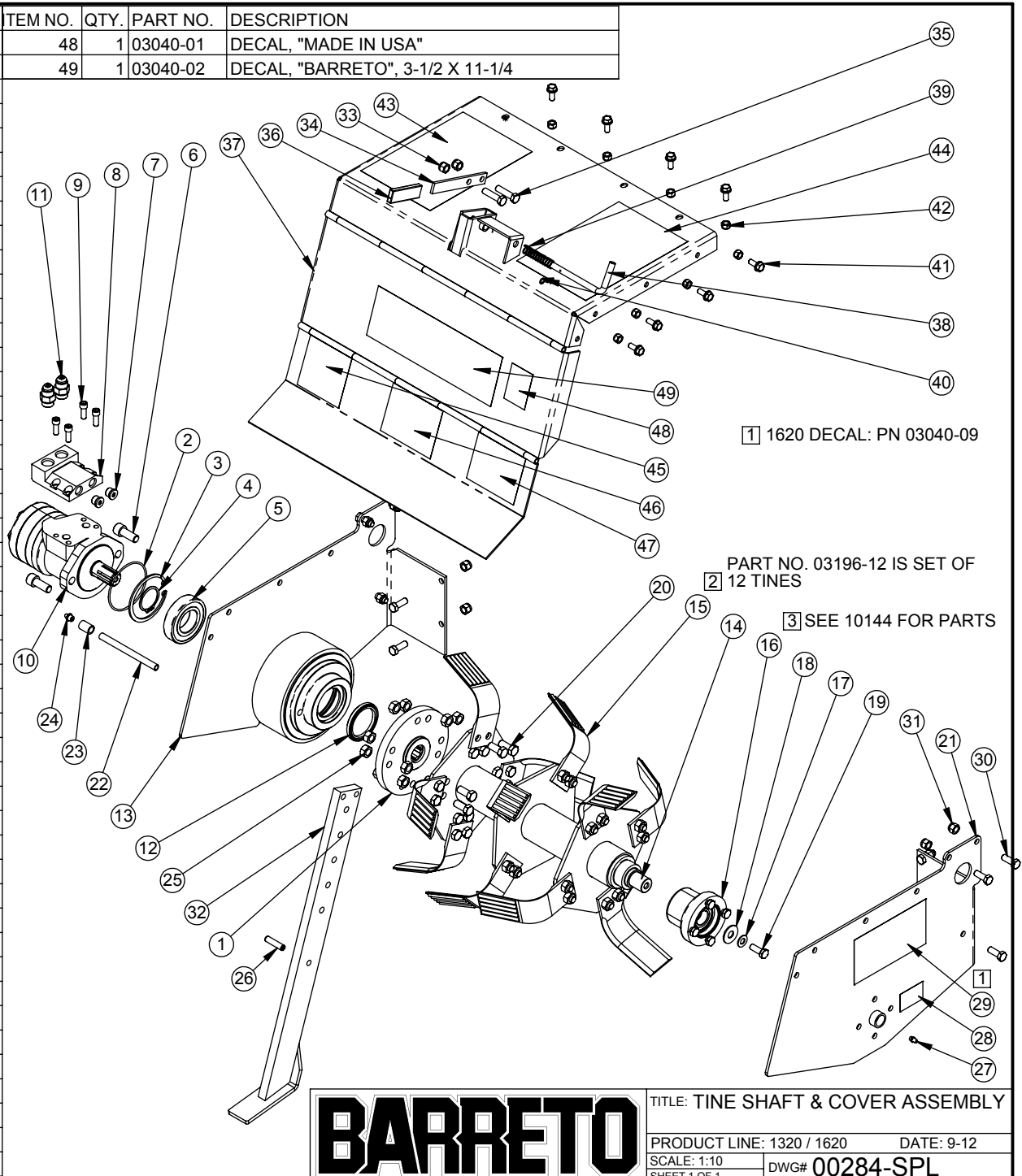
PRODUCT LINE: 1320 & 1620 DATE: 1/29/07

SCALE: 1:7.5
SHEET 1 OF 1

DWG# 00279 R5

ITEM NO.	QTY.	PART NO.	DESCRIPTION
1	1	11278	TINE MOTOR HUB, SPLINED
2	1	03001	O-RING, 2-152, 3-7/16 OD X 3/32 SECTION
3	1	05603	SNAP RING, HO-315, 3-5/32 INTERNAL
4	1	05607	SNAP RING, SH-156, 1-9/16" EXTERNAL
5	1	03943	BALL BEARING, SKF 6208
6	2	05585	SH CAP SCREW, 1/2-13 NC X 1-1/4 G5 ZINC
7	2	03302	FITTING, 6409-6 PLUG
8	1	02065	MANIFOLD, TINE MOTOR
9	4	05361	SH CAP SCREW, 5/16-18 NC X 7/8 ZINC
10	1	04605-F	TINE MOTOR
11	2	04520	FITTING, 6400-8-8
12	1	03930	SEAL, CR 19763
13	1	12424	TINE SIDE PLATE, LEFT
14	1	12423	TINE SHAFT, SPLINED
15	12	03196	TINE, REVERSIBLE [2]
16	1	10144	OUTBOARD BEARING ASSEMBLY [3]
17	1	05103	WASHER, 3/8 A325 HARDENED ZINC
18	1	05083	WASHER, 7/16 USS ZINC
19	1	05059	HH CAP SCREW, 3/8-16 NC X 1 G5 ZINC
20	32	05061	HH CAP SCREW, 7/16-20 NF X 1 G8 ZINC
21	1	10538	RH SIDE PLATE, TINE SECTION
22	1	05282	PIPE NIPPLE, 1/8" X 5 LONG
23	1	05204	PIPE COUPLER, 1/8"
24	1	05256	GREASE ZERK, 1/8 NPT
25	32	05074	NUT, 7/16-20 NF G8 ZINC
26	1	05006	ROLL PIN (SLOTTED SPRING), 3/8 X 1-1/2 ZINC
27	1	05044	GREASE ZERK, 1/4-28 UNF
28	1	03040-04	DECAL, "GREASE DAILY" [1]
29	1	03040-10	DECAL, "1320" [1]
30	10	05056	HH CAP SCREW, 3/8-24 NF X 1 G5 ZINC
31	10	05072	NUT, NYLOCK, 3/8-24 NF ZINC
32	1	01012	DEPTH BAR
33	2	05073	NUT, NYLOCK, 3/8-16 NC ZINC
34	1	01099	HANDLE, DEPTH BAR
35	2	05092	HH CAP SCREW, 3/8-16 NC X 1-1/2 G5 ZINC
36	1	03018	GRIP, 1/8 X 3/4 X 2-3/4
37	1	01008	TINE COVER, 1320/1620
38	1	01018	PIN, DEPTH BAR
39	1	03080	SPRING
40	1	03065	HAIR SPRING COTTER #4
41	12	05140	WHIZ LOCK, 5/16-18 NC X 3/4 ZINC
42	12	05273	NUT, NYLOCK, 5/16-18 NC ZINC
43	1	03341-23	DECAL, "TILLER SAFETY INSTRUCTIONS"
44	1	03341-22	DECAL, "TILLER OPERATING INSTRUCTIONS"
45	1	03040-08	DECAL, "WARNING" (YELLOW)
46	1	03040-03	DECAL, "CAUTION" (BLACK & WHITE)
47	1	03040-07	DECAL, "CAUTION" (YELLOW)

ITEM NO.	QTY.	PART NO.	DESCRIPTION
48	1	03040-01	DECAL, "MADE IN USA"
49	1	03040-02	DECAL, "BARRETO", 3-1/2 X 11-1/4



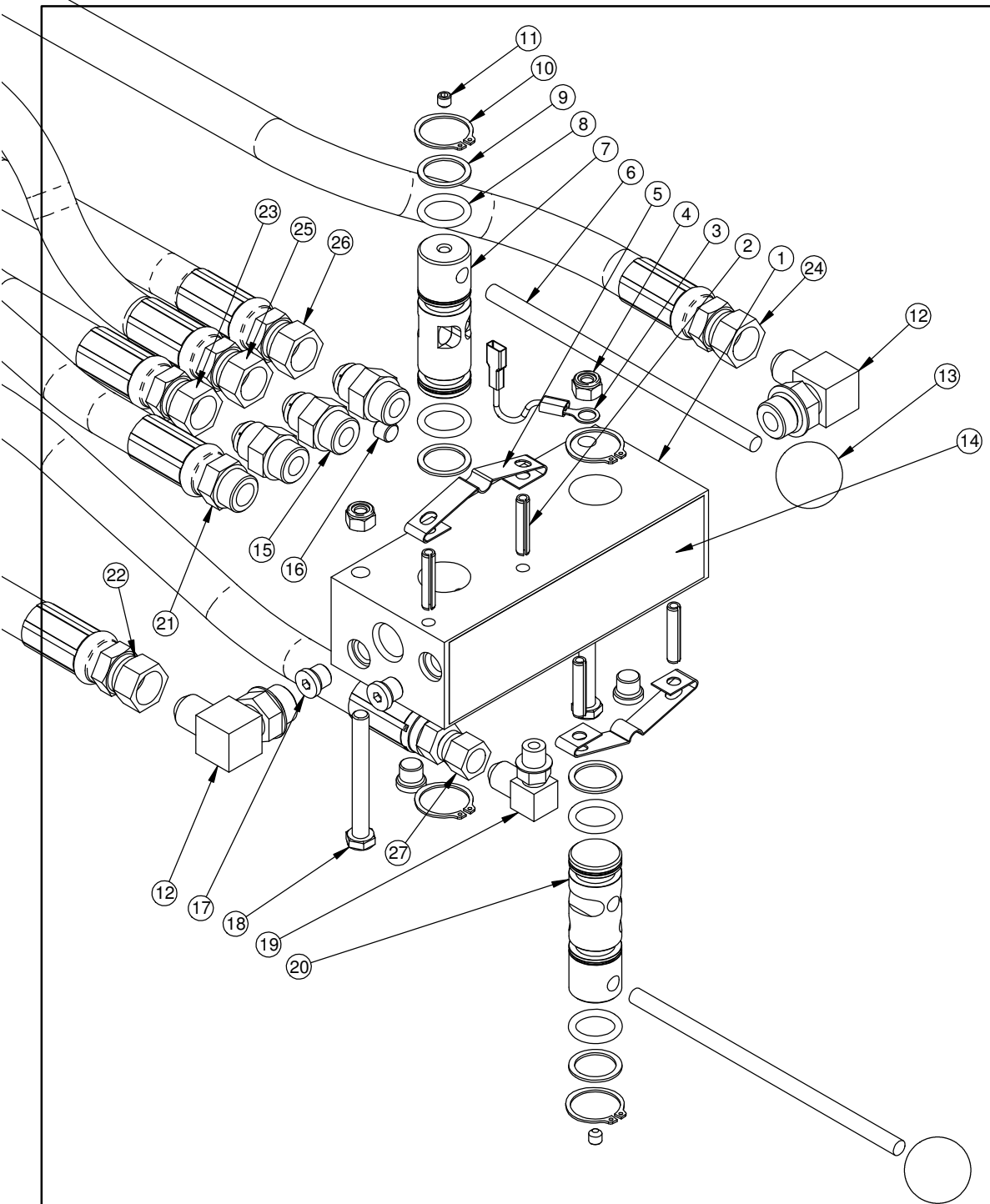
[1] 1620 DECAL: PN 03040-09

PART NO. 03196-12 IS SET OF 12 TINES [2]

[3] SEE 10144 FOR PARTS



TITLE: TINE SHAFT & COVER ASSEMBLY
 PRODUCT LINE: 1320 / 1620 DATE: 9-12
 SCALE: 1:10 SHEET 1 OF 1 DWG# 00284-SPL

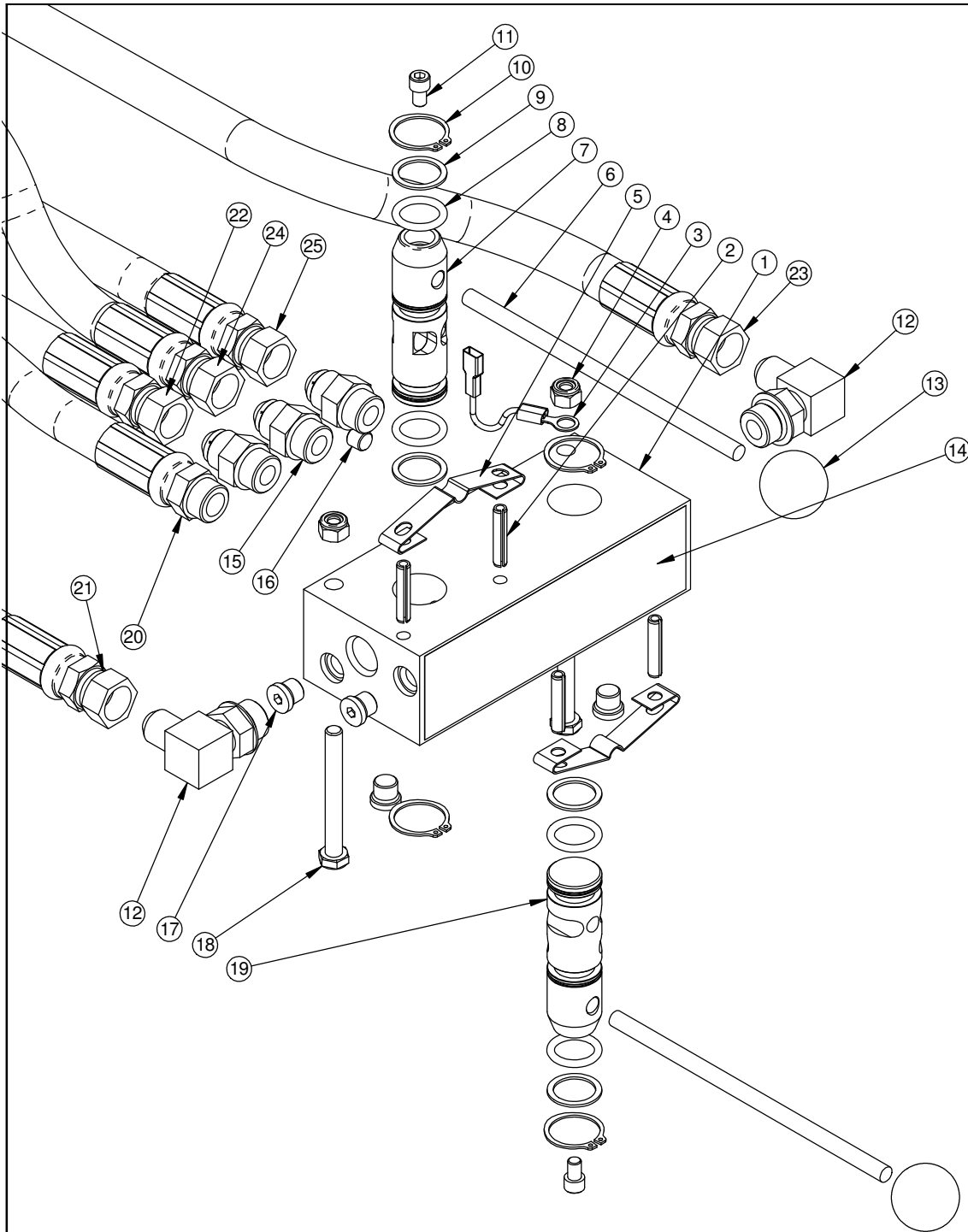


REF.	QTY.	PART NO.	DESCRIPTION
1	1	04010	CONTROL VALVE BODY
2	4	05200	ROLL PIN (SLOTTED SPRING), 1/4 X 1-1/4 ZINC
3	1	06421	GROUND WIRE, IGNITION SWITCH
4	2	05273	NUT, NYLOCK, 5/16-18 NC
5	2	03027	DETENT SPRING
6	2	02017	HANDLE, 5/16 X 7
7	1	04015-D	VALVE SPOOL, TINES
8	4	03002	O-RING, 2-210, 1" OD X 1/8 SECTION
9	4	03025	BACK-UP RING, 1" TEFLON
10	4	05010	SNAP RING, 1" EXTERNAL
11	2	05020	SET SCREW, 1/4-20 NC X 1/4
12	2	04554	FITTING, 6801-8-8
13	2	03026	KNOB, 5/16-NC
14	1	03040	DECAL, CONTROL VALVE
15	3	04520	FITTING, 6400-8-8
16	1	05023	PIPE PLUG, 1/8"
17	4	03300	FITTING, 6409-4 PLUG
18	2	05065	HH CAP SCREW, 5/16-18 NC X 2-3/4 G5 ZINC
19	1	04526-01	FITTING, 6801-6-4
20	1	04015-C	VALVE SPOOL, WHEEL DRIVE
21	1	04308	HOSE, CONTROL VALVE TO ACTUATOR TEE FITTING
22	1	04309	HOSE, CONTROL VALVE TO TINE MOTOR LOWER PORT
23	1	04310	HOSE, CONTROL VALVE TO TINE MOTOR UPPER PORT
24	1	04311	HOSE, CONTROL VALVE TO WHEEL MOTOR LOWER PORT
25	1	04312	HOSE, CONTROL VALVE TO WHEEL MOTOR UPPER PORT
26	1	04313	HOSE, CONTROL VALVE TO OIL FILTER MOUNT
27	1	04314	HOSE, CONTROL VALVE TO WHEEL RELIEF VALVE

BARRETO TITLE: CONTROL VALVE

PRODUCT LINE: 1320 & 1620 DATE: 9/29/04

SCALE: 1:3 SHEET 1 OF 1 DWG# 00280



REF.	QTY.	PART NO.	DESCRIPTION
1	1	04010	CONTROL VALVE BODY (ORDER 04010-K)
2	4	05200	ROLL PIN (SLOTTED SPRING), 1/4 X 1-1/4 ZINC
3	1	06421	GROUND WIRE, IGNITION SWITCH
4	2	05273	NUT, NYLOCK, 5/16-18 NC ZINC
5	2	03027	DETENT SPRING
6	2	02017	HANDLE, 5/16 X 7
7	1	04015-D	VALVE SPOOL, TINES (ORDER 04010-K)
8	4	03002	O-RING, 2-210, 1" OD X 1/8 SECTION
9	4	03025	BACK-UP RING, 1" TEFLON
10	4	05010	SNAP RING, 1" EXTERNAL
11	2	05573	SH CAP SCREW, 1/4-20 NC X 3/8 ZINC
12	2	04554	FITTING, 6801-8-8
13	2	03026	KNOB, 5/16-NC
14	1	03040	DECAL, CONTROL VALVE
15	3	04520	FITTING, 6400-8-8
16	1	05023	PIPE PLUG, 1/8"
17	4	03300	FITTING, 6409-4 PLUG
18	2	05065	HH CAP SCREW, 5/16-18 NC X 2-3/4 G5 ZINC
19	1	04015-C	VALVE SPOOL, WHEEL DRIVE (ORDER 04010-K)
20	1	04308	HOSE, CONTROL VALVE TO ACTUATOR TEE FITTING
21	1	04309	HOSE, CONTROL VALVE TO TINE MOTOR LOWER PORT
22	1	04310	HOSE, CONTROL VALVE TO TINE MOTOR UPPER PORT
23	1	04311	HOSE, CONTROL VALVE TO WHEEL MOTOR LOWER PORT
24	1	04312	HOSE, CONTROL VALVE TO WHEEL MOTOR UPPER PORT
25	1	04313	HOSE, CONTROL VALVE TO OIL FILTER MOUNT

BARRETO

TITLE: CONTROL VALVE

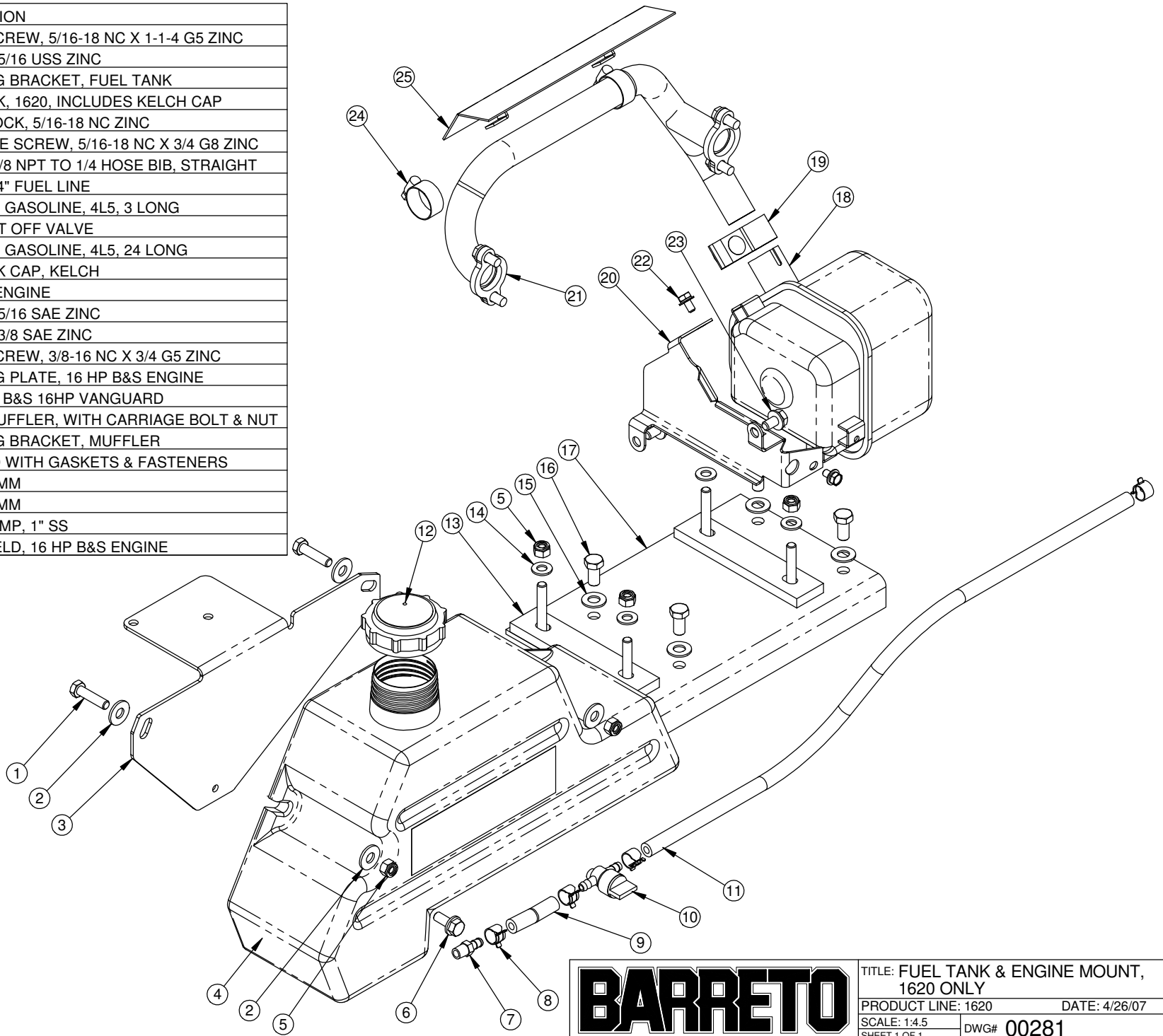
PRODUCT LINE: 1320 & 1620

DATE: 4/26/07

SCALE: 1:3
SHEET 1 OF 1

DWG# 00280 R2

REF.	QTY.	PART NO.	DESCRIPTION
1	2	05297	HH CAP SCREW, 5/16-18 NC X 1-1/4 G5 ZINC
2	4	10615	WASHER, 5/16 USS ZINC
3	1	10556	MOUNTING BRACKET, FUEL TANK
4	1	10559	FUEL TANK, 1620, INCLUDES KELCH CAP
5	6	05273	NUT, NYLOCK, 5/16-18 NC ZINC
6	1	05131	HH FLANGE SCREW, 5/16-18 NC X 3/4 G8 ZINC
7	1	03062-04	FITTING, 1/8 NPT TO 1/4 HOSE BIB, STRAIGHT
8	4	03062-06	CLAMP, 1/4" FUEL LINE
9	1	11346	HOSE, 1/4" GASOLINE, 4L5, 3 LONG
10	1	03062-03	FUEL SHUT OFF VALVE
11	1	11352	HOSE, 1/4" GASOLINE, 4L5, 24 LONG
12	1	03062-12	FUEL TANK CAP, KELCH
13	2	01014	SPACER, ENGINE
14	4	05068	WASHER, 5/16 SAE ZINC
15	4	05101	WASHER, 3/8 SAE ZINC
16	4	05057	HH CAP SCREW, 3/8-16 NC X 3/4 G5 ZINC
17	1	01013	MOUNTING PLATE, 16 HP B&S ENGINE
18	1	07000-01	MUFFLER, B&S 16HP VANGUARD
19	1	07000-02	CLAMP, MUFFLER, WITH CARRIAGE BOLT & NUT
20	1	07000-03	MOUNTING BRACKET, MUFFLER
21	1	07000-04	MANIFOLD WITH GASKETS & FASTENERS
22	2	03070	SCREW, 6MM
23	2	03071	SCREW, 8MM
24	2	05041	HOSE CLAMP, 1" SS
25	1	01040	HEAT SHIELD, 16 HP B&S ENGINE

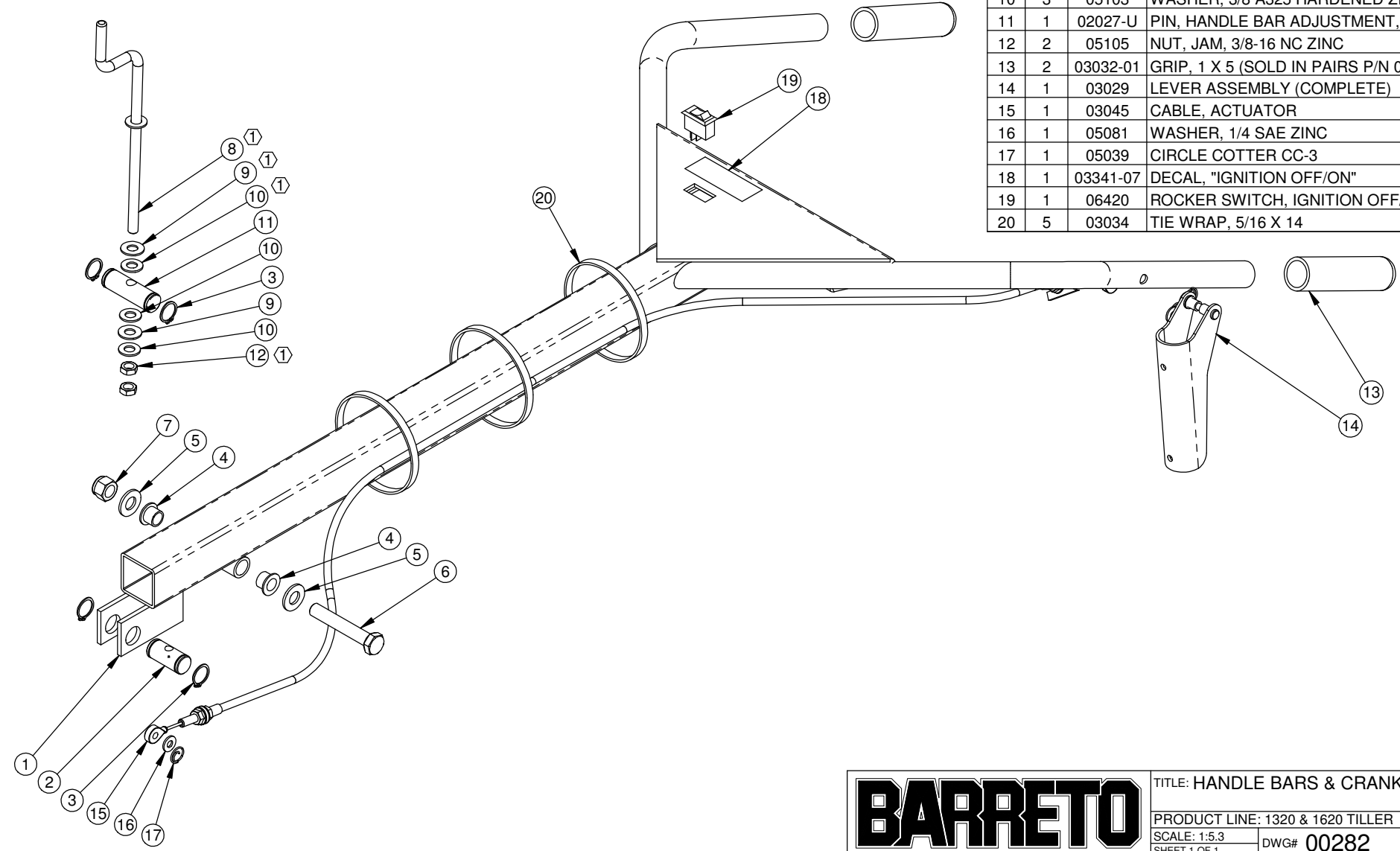


BARRETO

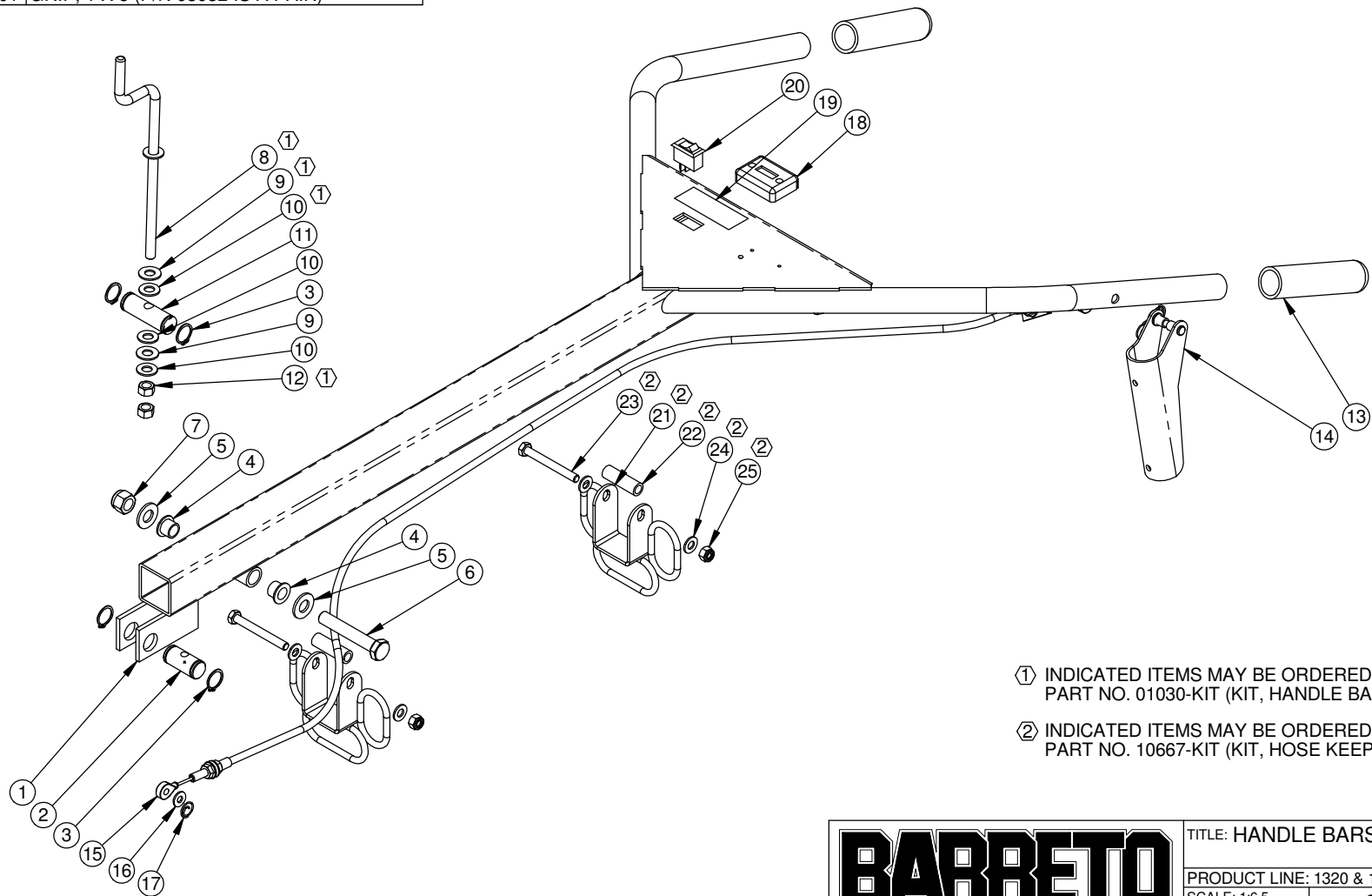
TITLE: FUEL TANK & ENGINE MOUNT,
1620 ONLY
 PRODUCT LINE: 1620 DATE: 4/26/07
 SCALE: 1:4.5 DWG# 00281
 SHEET 1 OF 1

① INDICATED ITEMS MAY BE ORDERED AS A KIT.
PART NO. 01030-KIT (KIT, HANDLE BAR ADJUSTMENT).

REF.	QTY.	PART NO.	DESCRIPTION
1	1	01017	HANDLE BARS
2	1	02027-L	HANDLE BAR ADJUSTER PIN, LOWER
3	4	05216	SNAP RING, 3/4 EXTERNAL
4	2	03501	BUSHING, NYLON, IGUS MFI-0810-08
5	2	05102	WASHER, 1/2 SAE ZINC HARDENED
6	1	05093	HH CAP SCREW, 1/2-13 NC X 3 G5 ZINC
7	1	05098	NUT, NYLOCK, 1/2-13 NC
8	1	01030	CRANK, HANDLE BAR ADJUSTMENT
9	2	05058	WASHER, 3/8 NYLON
10	3	05103	WASHER, 3/8 A325 HARDENED ZINC
11	1	02027-U	PIN, HANDLE BAR ADJUSTMENT, UPPER
12	2	05105	NUT, JAM, 3/8-16 NC ZINC
13	2	03032-01	GRIP, 1 X 5 (SOLD IN PAIRS P/N 03032)
14	1	03029	LEVER ASSEMBLY (COMPLETE)
15	1	03045	CABLE, ACTUATOR
16	1	05081	WASHER, 1/4 SAE ZINC
17	1	05039	CIRCLE COTTER CC-3
18	1	03341-07	DECAL, "IGNITION OFF/ON"
19	1	06420	ROCKER SWITCH, IGNITION OFF/ON
20	5	03034	TIE WRAP, 5/16 X 14



REF.	QTY.	PART NO.	DESCRIPTION	REF.	QTY.	PART NO.	DESCRIPTION
1	1	01017	HANDLE BARS	14	1	03029	LEVER ASSEMBLY (COMPLETE)
2	1	02027-L	HANDLE BAR ADJUSTER PIN, LOWER	15	1	03045	CABLE, ACTUATOR
3	4	05216	SNAP RING, 3/4 EXTERNAL	16	1	05081	WASHER, 1/4 SAE ZINC
4	2	03501	BUSHING, IGUS MFI-0810-08	17	1	05039	CIRCLE COTTER CC-3
5	2	05102	WASHER, 1/2 SAE ZINC HARDENED	18	1	03009	HOUR METER - COMPLETE KIT
6	1	05093	HH CAP SCREW, 1/2-13 NC X 3 G5 ZINC	19	1	03341-07	DECAL, "IGNITION OFF/ON"
7	1	05098	NUT, NYLOCK, 1/2-13 NC	20	1	06420	ROCKER SWITCH, IGNITION OFF/ON
8	1	01030	CRANK, HANDLE BAR ADJUSTMENT	21	2	10667	HOSE KEEPER
9	2	05058	WASHER, 3/8 NYLON	22	2	10668	SPACER, HOSE KEEPER
10	3	05103	WASHER, 3/8 A325 HARDENED ZINC	23	2	05065	HH CAP SCREW, 5/16-18 NC X 2-3/4 G5 ZINC
11	1	02027-U	PIN, HANDLE BAR ADJUSTMENT, UPPER	24	4	05068	WASHER, 5/16 SAE ZINC
12	2	05269	NUT, 3/8-16 NC GRB ZINC	25	2	05273	NUT, NYLOCK, 5/16-18 NC
13	2	03032-01	GRIP, 1 X 5 (P/N 03032 IS A PAIR)				



- ① INDICATED ITEMS MAY BE ORDERED AS A KIT, PART NO. 01030-KIT (KIT, HANDLE BAR ADJUSTMENT).
- ② INDICATED ITEMS MAY BE ORDERED AS A KIT, PART NO. 10667-KIT (KIT, HOSE KEEPER W/FASTENERS).

BARRETO

TITLE: HANDLE BARS & CRANK

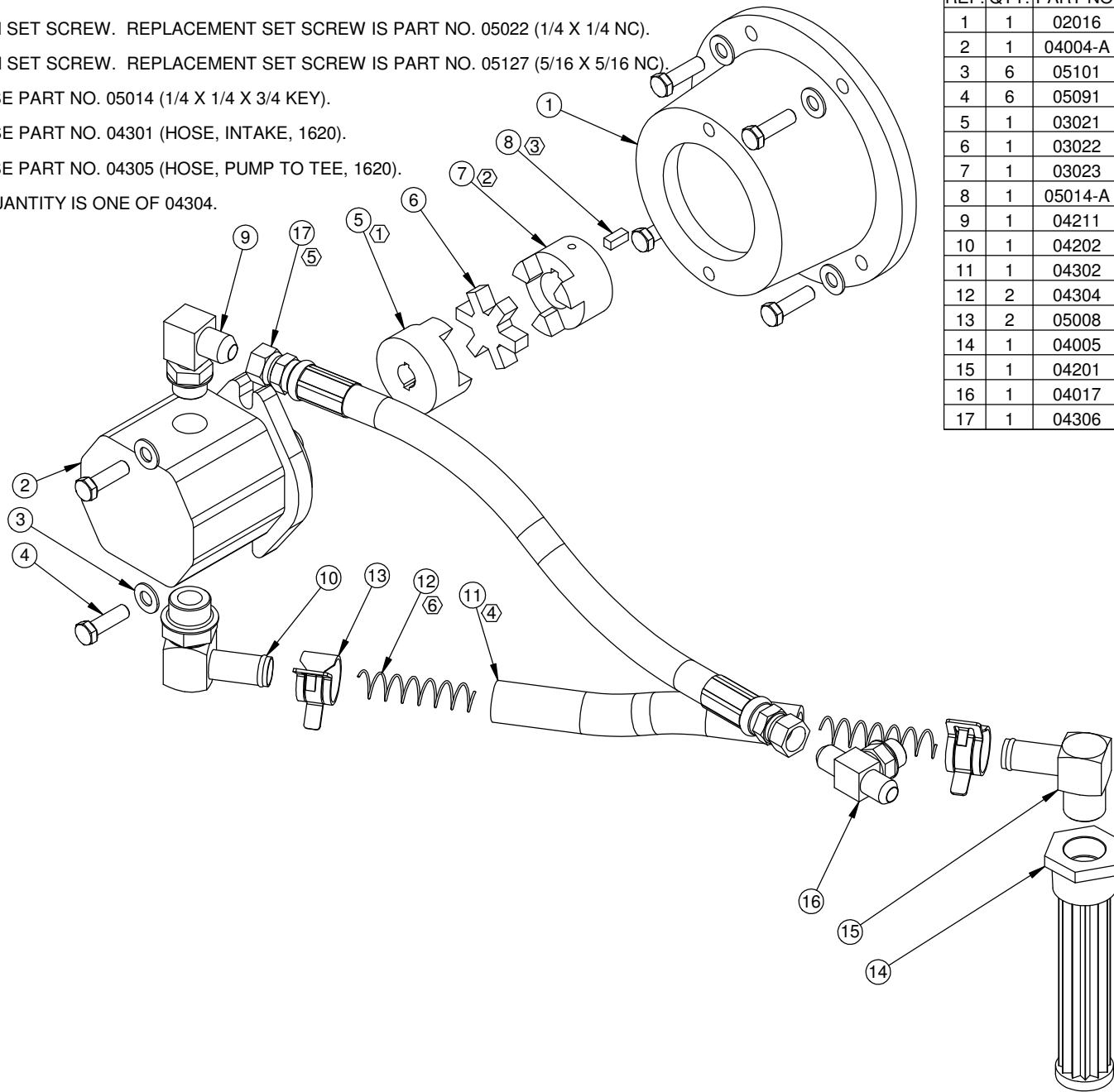
PRODUCT LINE: 1320 & 1620 1/16/07

SCALE: 1:6.5
SHEET 1 OF 1

DWG# 00282 R1

NOTES:

- ① COMES WITH SET SCREW. REPLACEMENT SET SCREW IS PART NO. 05022 (1/4 X 1/4 NC).
- ② COMES WITH SET SCREW. REPLACEMENT SET SCREW IS PART NO. 05127 (5/16 X 5/16 NC).
- ③ FOR 1620, USE PART NO. 05014 (1/4 X 1/4 X 3/4 KEY).
- ④ FOR 1620, USE PART NO. 04301 (HOSE, INTAKE, 1620).
- ⑤ FOR 1620, USE PART NO. 04305 (HOSE, PUMP TO TEE, 1620).
- ⑥ FOR 1620, QUANTITY IS ONE OF 04304.



REF.	QTY.	PART NO.	DESCRIPTION
1	1	02016	PUMP ADAPTER
2	1	04004-A	PUMP, HYDRAULIC
3	6	05101	WASHER, 3/8 SAE ZINC
4	6	05091	HH CAP SCREW, 3/8-16 NC X 1-1/4 G5 ZINC
5	1	03021	JAW COUPLER, PUMP, 5/8" BORE
6	1	03022	SPIDER, RUBBER
7	1	03023	JAW COUPLER, 1" BORE
8	1	05014-A	KEY, 1/4 X 1/4 X 5/8
9	1	04211	FITTING, 6801-8-10
10	1	04202	FITTING, 4601-12-12
11	1	04302	HOSE, INTAKE, 1320
12	2	04304	INTERNAL WIRE COIL
13	2	05008	CLAMP, 1" HOSE, CTB-29
14	1	04005	SUMP SCREEN
15	1	04201	FITTING, 4501-12-12
16	1	04017	FITTING, 6803-8-8-8
17	1	04306	HOSE, PUMP TO TEE, 1320

BARRETO

TITLE: PUMP & COUPLER

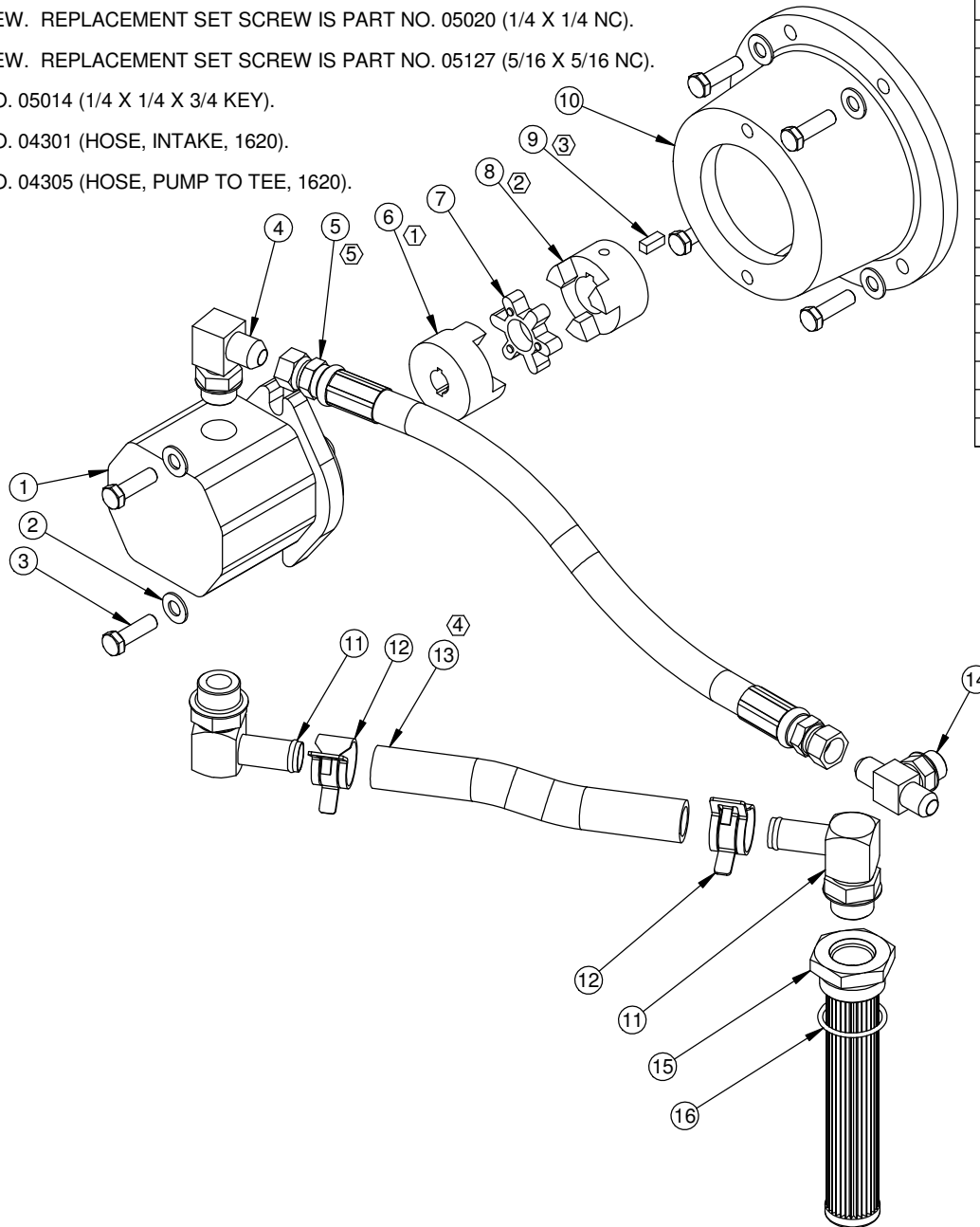
PRODUCT LINE: 1320 & 1620 DATE:10/7/04

SCALE: 1:4
SHEET 1 OF 1

DWG# 00283

NOTES:

- ① COMES WITH SET SCREW. REPLACEMENT SET SCREW IS PART NO. 05020 (1/4 X 1/4 NC).
- ② COMES WITH SET SCREW. REPLACEMENT SET SCREW IS PART NO. 05127 (5/16 X 5/16 NC).
- ③ FOR 1620, USE PART NO. 05014 (1/4 X 1/4 X 3/4 KEY).
- ④ FOR 1620, USE PART NO. 04301 (HOSE, INTAKE, 1620).
- ⑤ FOR 1620, USE PART NO. 04305 (HOSE, PUMP TO TEE, 1620).



REF.	QTY.	PART NO.	DESCRIPTION
1	1	04004-A	PUMP, HYDRAULIC
2	6	05101	WASHER, 3/8 SAE ZINC
3	6	05091	HH CAP SCREW, 3/8-16 NC X 1-1/4 G5 ZINC
4	1	04211	FITTING, 6801-8-10
5	1	04306	HOSE, PUMP TO TEE, 1320
6	1	03021	JAW COUPLER, PUMP, 5/8" BORE
7	1	03022	SPIDER, RUBBER
8	1	03023	JAW COUPLER, 1" BORE L095
9	1	05014-A	KEY, 1/4 X 1/4 X 5/8
10	1	02016	PUMP ADAPTER
11	2	04202	FITTING, 4601-12-12
12	2	05008	CLAMP, 1" HOSE, CTB-29
13	1	04302	HOSE, INTAKE, 1320
14	1	04017	FITTING, 6803-8-8-8
15	1	10247	SUMP SCREEN #20 EXT #12 INT O-RING
16	1	03293	O-RING, 3-920N90, -20 FITTINGS

BARRETO

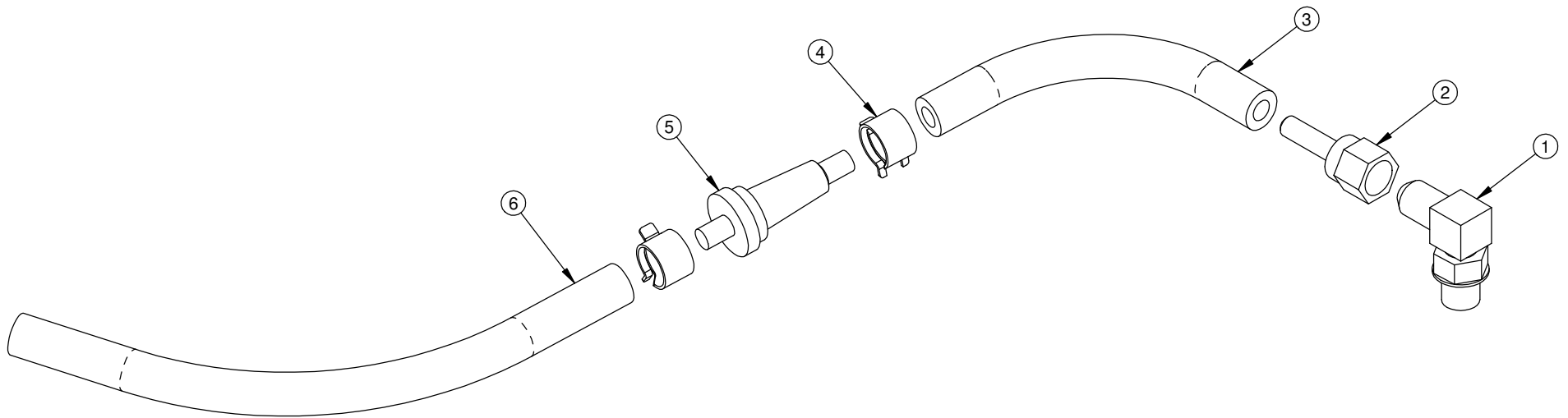
TITLE: PUMP

PRODUCT LINE: 1320 & 1620 DATE: 8/8/07

SCALE: 1:4.5
SHEET 1 OF 1

DWG# 00283 R1

REF.	QTY.	PART NO.	DESCRIPTION
1	1	04555	FITTING, 6801-4-4
2	1	04214	FITTING, JS-4-4, HOSE BARB 1/4 X 1/4 SWIVEL
3	1	04295	HOSE, 1/4 INCH GASOLINE, 4L5, 5" LONG
4	2	03062-06	CLAMP, 1/4" FUEL LINE
5	1	04516	BREATHING, FILTER SNAPPER 1435
6	1	04295	HOSE, 1/4 INCH GASOLINE, 4L5, 8" LONG



NOTES:

1. USAGE: 1 PER 1320 & 1620

BARRETO

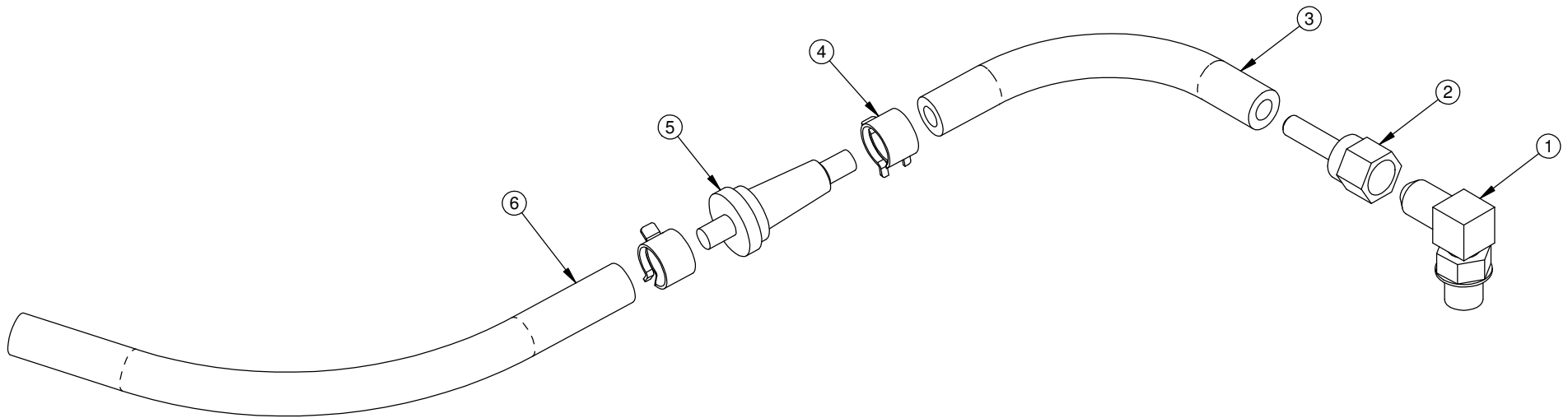
TITLE: BREATHING HOSE ASSEMBLY

PRODUCT LINE: 1320 & 1620 DATE: 1/6/05

SCALE: 1:1.8
SHEET 1 OF 1

DWG# 04517 R1

REF.	QTY.	PART NO.	DESCRIPTION
1	1	04555	FITTING, 6801-4-4
2	1	04214	FITTING, JS-4-4, HOSE BARB 1/4 X 1/4 SWIVEL
3	1	11350	HOSE, 1/4 INCH GASOLINE, 4L5, 5" LONG
4	2	03062-06	CLAMP, 1/4" FUEL LINE
5	1	04516	BREATHING, FILTER SNAPPER 1435
6	1	11351	HOSE, 1/4 INCH GASOLINE, 4L5, 8" LONG



NOTES:

1. USAGE: 1 PER 1320 & 1620

BARRETO

TITLE: BREATHING HOSE ASSEMBLY

PRODUCT LINE: 1320 & 1620 DATE: 4/26/07

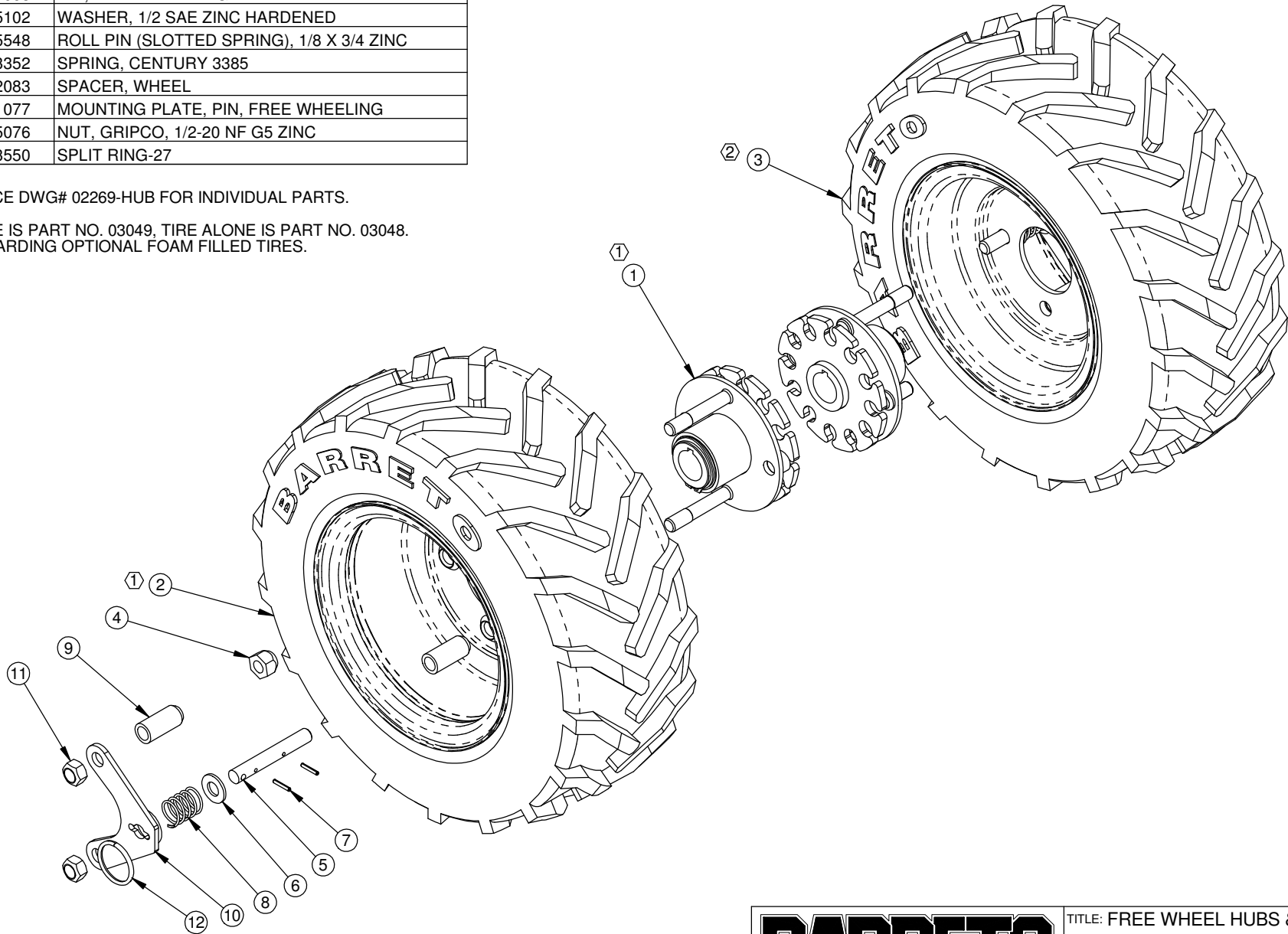
SCALE: 1:1.8
SHEET 1 OF 1

DWG# 04517 R1

REF.	QTY.	PART NO.	DESCRIPTION
1	2	02269-HUB	WHEEL HUB ASSY, 1-1/8" BORE
2	1	03047	TIRE & RIM, TILLER RH, TRENCHER LH, 16 X 6.50 -8
3	1	03046	TIRE & RIM, TILLER LH, TRENCHER RH, 16 X 6.50 -8
4	2	05042	NUT, LUG, 1/2-20 NF
5	2	02068	PIN, FREE WHEELING
6	2	05102	WASHER, 1/2 SAE ZINC HARDENED
7	4	05548	ROLL PIN (SLOTTED SPRING), 1/8 X 3/4 ZINC
8	2	03352	SPRING, CENTURY 3385
9	4	02083	SPACER, WHEEL
10	2	01077	MOUNTING PLATE, PIN, FREE WHEELING
11	4	05076	NUT, GRIPCO, 1/2-20 NF G5 ZINC
12	2	03550	SPLIT RING-27

① REFERENCE DWG# 02269-HUB FOR INDIVIDUAL PARTS.

② RIM ALONE IS PART NO. 03049, TIRE ALONE IS PART NO. 03048.
CALL REGARDING OPTIONAL FOAM FILLED TIRES.



BARRETO

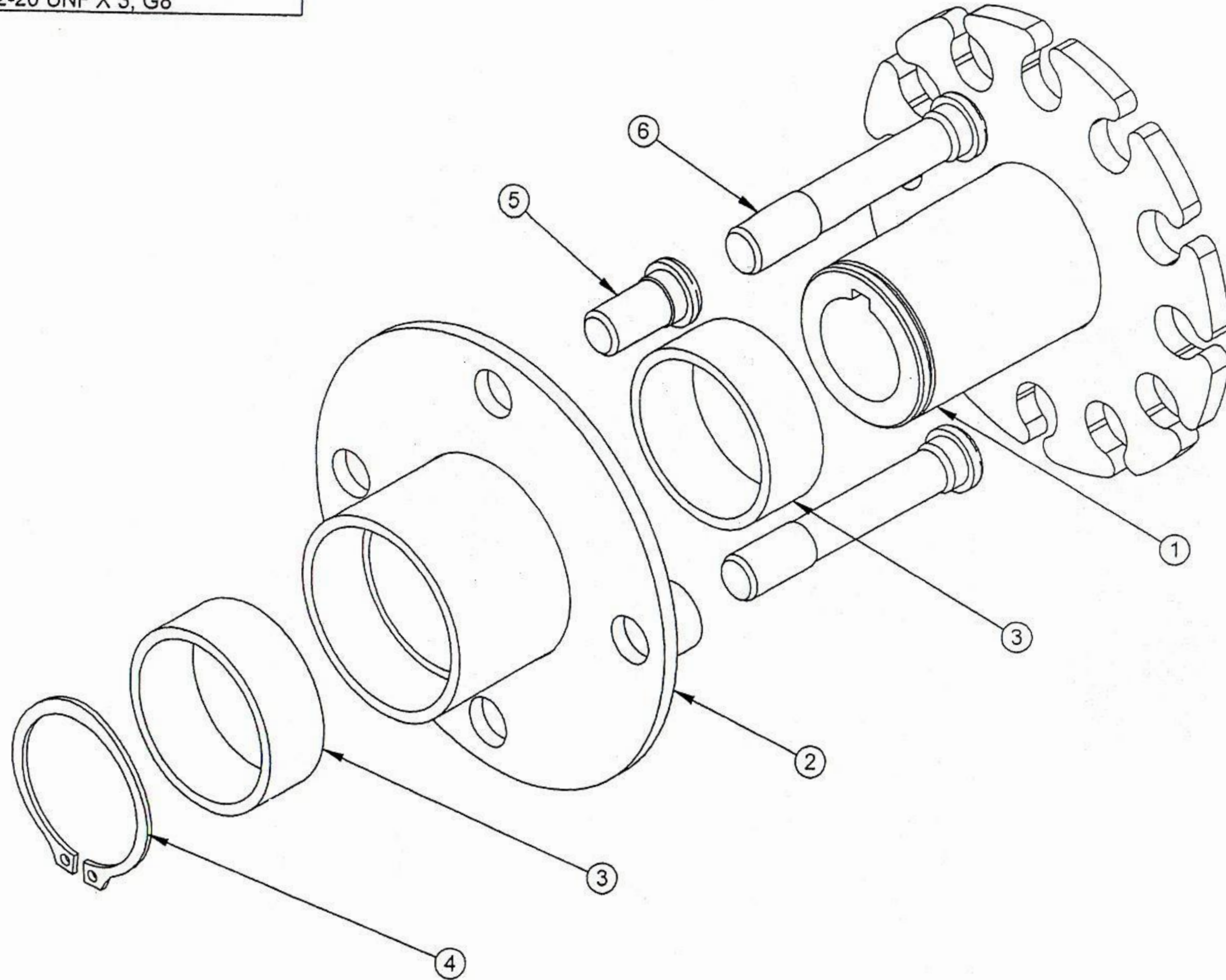
TITLE: FREE WHEEL HUBS & WHEELS

PRODUCT LINE: 1320 & 1620 DATE: 8/9/07

SCALE: 1:5
SHEET 1 OF 1

DWG# 10388

REF. QTY.	PART NO.	DESCRIPTION
1	02269	WHEEL HUB
2	01252	FREE WHEEL HUB
3	03168	BUSHING, SLEEVE, NYLON, IGUS MSI-2832-12
4	05610	SNAP RING, SH-175, 1-3/4" EXTERNAL
5	05066	KNURLED STUD, 1/2-20 UNF X 1, G8
6	05166	KNURLED STUD, 1/2-20 UNF X 3, G8



NOTES:

- 1. USAGE: 2 PER 00231 R3, 00256 R1, & 10388.
- 1 OF 00231 R3 PER 1318.
- 1 OF 00256 R1 PER 912, 916 & 918.
- 1 OF 10388 PER 1320 & 1620.

BARRETO

TITLE: WHEEL HUB ASSY, 1-1/8" BORE

PRODUCT LINE: COMMON

DATE: 8/6/07

SCALE: 1:2

SHEET 1 OF 1

DWG# 02269-HUB