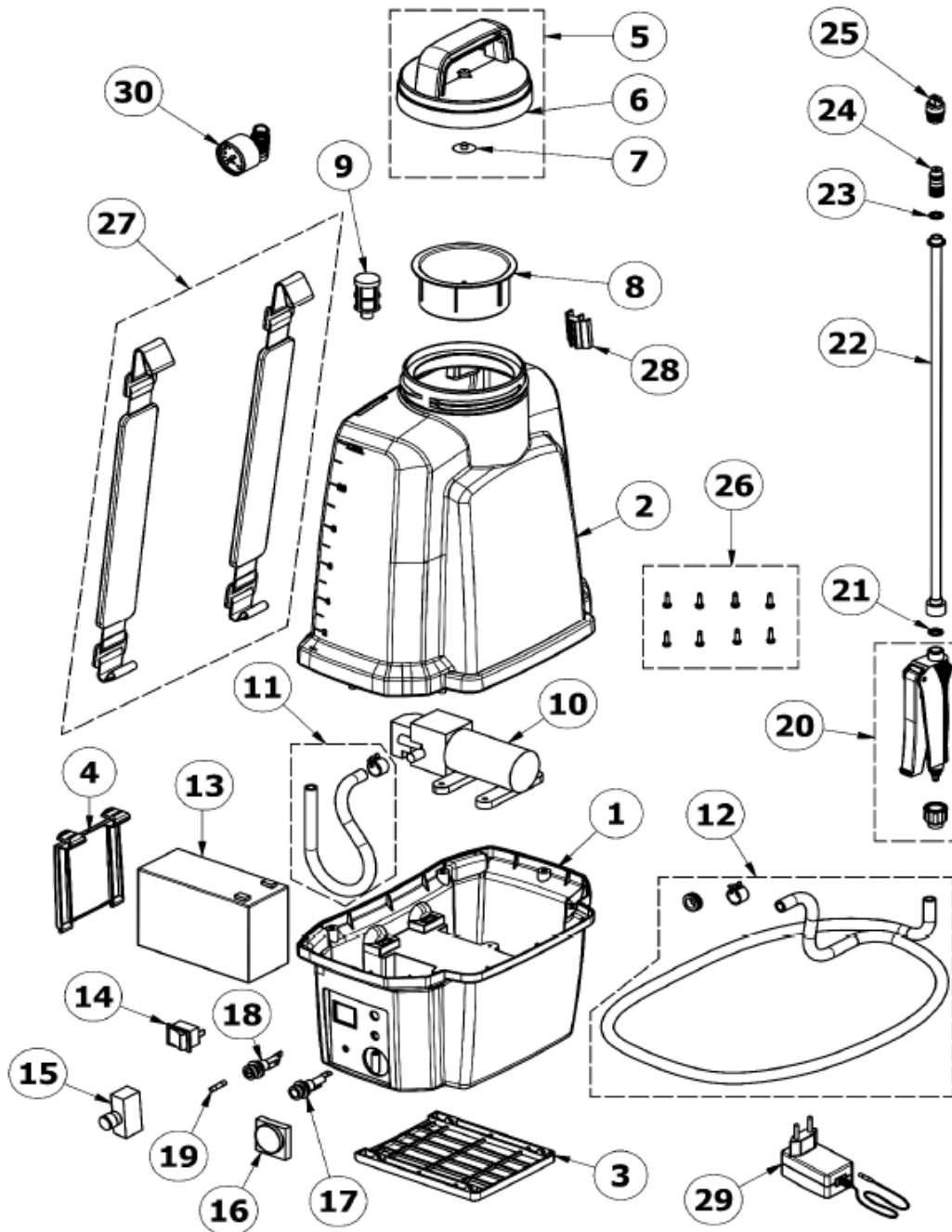




3. ELECTRIC SPRAYER 12 Lt V-BLACK ELEKTRON Cod. 19VBE





### 3. ELECTRIC SPRAYER 12 Lt V-BLACK ELEKTRON

Posiz.	Cod.	Description	Un.	Pcs per box.
1	19VBER010	LOWER CASE	1	1
2	19VBER020	TANK	1	1
3	19VBER030	LOWER COMPARTMENT	1	1
4	19VBER040	BATTERY COMPARTMENT DOOR	1	1
5	19VBER050	SCREW CAP WITH VALVE	1	1
6	19VBER051	CAP	1	1
7	19VBER052	LID VALVE	1	1
8	19VBER060	SIEVE	1	1
9	19VBER070	TANK FILTER	1	1
10	19VBER080	DIAPHRAGM PUMP 3L/MIN	1	1
11	19VBER090	SUCTION TUBE	1	1
12	19VBER100	DELIVERY HOSE	1	1
13	19VBER110	LI-ION BATTERY 12V - 6AH	1	1
14	19VBER120	GENERAL ON-OFF SWITCH	1	1
15	19VBER130	SPRAYER REGULATOR	1	1
16	19VBER140	VOLTMETER	1	1
17	19VBER150	BATTERY CHARGER SOCKET	1	1
18	19VBER160	FUSE HOLDER	1	1
19	10/16	FUSE 5A	1	1
20	163N	CLICK HANDLE	1	1
21	YGUP15	PVC SEAL	1	1
22	19VBER170	STAINLESS STEEL LANCE	1	1
23	ZZOR108	LANCE O-RING	1	1
24	928	NOZZLE GET	1	1
25	218	FAN NOZZLE AILA FOR WEED CONTROL	1	1
26	19VBER180	KIT SELF TAPPING SCREWS 3.9X16	8	8
27	19VBER190	SHOULDER STRAPS	2	2
28	19VBER200	LANCE HOLDER	1	1
29	19VBER210	BATTERY CHARGER	1	1
30	19VBER220	KIT MANOMETER FOR CLICK	1	1

**The Hire Supply Company (UK) Ltd**

Email: [spares@hscgroupuk.co.uk](mailto:spares@hscgroupuk.co.uk)

Email: [sales@hscgroupuk.co.uk](mailto:sales@hscgroupuk.co.uk)

Website: [www.hscgroupuk.co.uk](http://www.hscgroupuk.co.uk)

Tel: 0115 9461988