



ELITE HSC E45L



USER GUIDE

Introduction

Thank you for your purchase of the ELITE evaporative air cooler.

ELITE evaporative air coolers use the “evaporation reduces heat” principle. It uses cooling pads as an evaporator which not only reduces heat, but also filters dust from the air and will improve air quality.

Water is sprayed onto the filter by a recycling water pump, it is then evaporated and refined, oxygen enriched cool air is blown out into the area to be cooled down.

Evaporative air coolers are energy efficient so you can be sure that it is going to be cost effective.

Technical Parameters

Model	ELITE HSC E45L	Cooling Area (m2)	30-50
Power Supply (v)	230V 50Hz	Size (mm)	680x420x1050
Motor Power (w)	120	Noise (dBA)	≤40
Pump Power (w)	18	Weight (kg)	15.5
Air Volume (m3/h)	4500	Fan Type	AXIAL FLOW
Cooling Effect (°C)	4-12	Control Mode	MANUAL

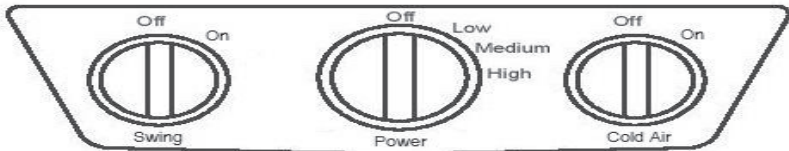
Safety guide

The unit must only be connected to an appropriate power supply stipulated on the rating label.

- Do not push the unit up against a wall ensuring that there is at least a one meter gap.
- Always ensure that there is sufficient air flow on all sides of the unit.
- When not in use, always disconnect from the power supply.
- Do not remove plug from the mains supply by pulling on the cable.
- Do not modify the equipment to do tasks other than those intended.
- Do not use in an enclosed environment. There must be sufficient air flow for the unit to perform to its full capabilities.
- Never leave the unit running unattended.
- Do not use if the mains supply cable appears damaged in any way.
- Ensure the mains cable does not present a trip hazard.
- Do not run the cable across walkways, paths or in front of doors. Once the cable has been routed, secure the cable in position.
- Ensure the mains cable is fully unwound before use.
- If the external flexible cable is damaged, it shall be exclusively replaced by the manufacturer or his service agent or a similar qualified person in order to avoid a hazard.
- In some states, territories or work sites, operator training or equipment documentation may be required. Please check with your local regulatory authority prior to use.
- Do not use the unit if there is any sign of damage. If you see or suspect damage of any kind, consult your supplier immediately.

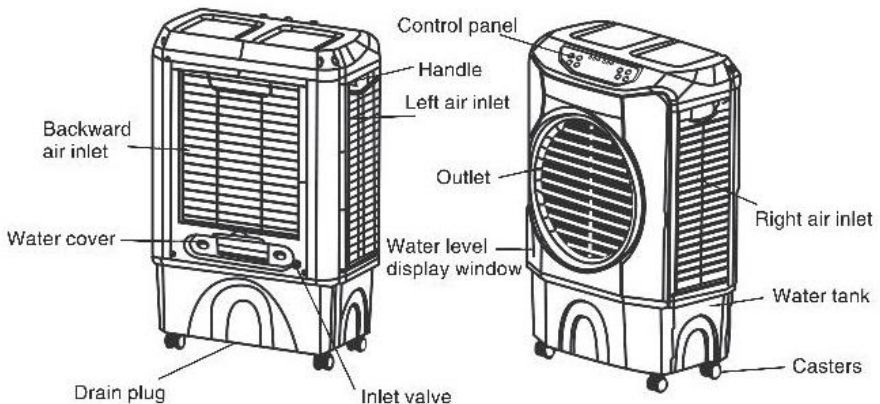
- Do not leave the unit plugged in and/or running unattended where young children or infirm people may be able to touch the unit.
- Always ensure that children and people with reduced mental capabilities are supervised where the unit is to be used.
- DO NOT USE IN COMPUTER SERVER ROOMS OR SENSITIVE AREAS WHERE SMALL MINUSCULE DROPLETS OF WATER CAN DAMAGE EQUIPMENT. If in any doubt consult your supplier straight away.

Control Panel



1. Swing: Controls the swing function to disperse the air more efficiently.
2. Power: Turn clockwise to control the speed of the fan. There are three speed settings; low, medium & high.
3. Cold Air: Once in the 'on' position the cold function will activate

Components



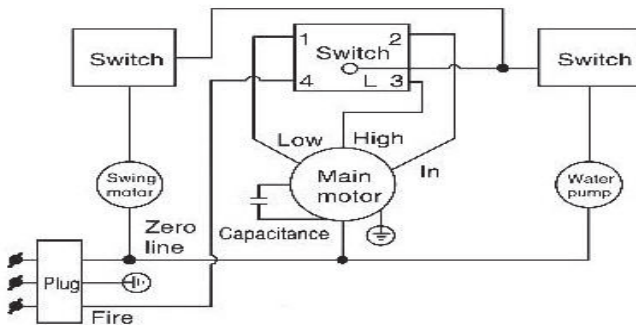
Installation and Control

1. Remove all packaging and attach castors to the bottom of the unit
2. Choose either of the following two ways to fill the unit with water*†
 - A. Automatic water: Attach a ½" hose to the automatic water inlet and to a tap
 - B. By Hand: Open the hand water inlet door and using a jug, bucket or hose, insert water
3. Switch on the unit by turning the power dial clockwise

*** ALWAYS ENSURE THE EVAPORATIVE AIR COOLER IS UNPLUGGED WHILST FILLING WITH WATER**

† THE WATER LEVEL MUST NOT EXCEED THE MAXIMUM LEVEL SHOWN IN THE WATER LEVEL DISPLAY WINDOW


Wiring Diagram



Testing



This Evaporative Cooler is a class 1 product and therefore must be earthed.

The earth test point can be located just above the front control panel where this symbol  can be found

Maintenance

- To maximise performance it is suggested to drain the water completely at the end of each day. This will ensure the prolonged life of the cooling pads and help to prevent mineral deposits inside the unit.
- Only use clean cold water with the unit.
- Once a month, ensure that the unit is emptied and cleaned thoroughly using a sterilizing, non-toxic cleaning fluid
- Visually check the outside of the unit and the power cable (including the plug) before every use for damage
- Always make sure the correct size fuse is used as is stipulated on the rating label on the unit. If you are in any way unsure, contact your supplier immediately.

END OF SEASON STORAGE:

- Empty the unit and ensure it is completely dry using a lint-free cloth if you wish.
- Remove the cooling pads and rinse them under fresh water to remove any dust/debris. Leave them to dry.
- Replace the cooling pads and coil the power cable around the cable storage for protection.
- It is recommended that you use a clean cloth or a dust sheet to cover the unit whilst in storage.

Trouble Shooting

FAULT	POSSIBLE REASON	POSSIBLE SOLUTION
No discharge of air	<ol style="list-style-type: none">1. Unit is not plugged in2. Power is not on	<ol style="list-style-type: none">1. Make sure the unit is plugged in and the switch is ON2. Turn the unit on with the power dial
Not Cooling / Unit is making noise.	<ol style="list-style-type: none">1. Pump is not turned ON2. Low or no water in tank3. Damaged Pump or Calcium deposits on blower	<ol style="list-style-type: none">1. Turn on Cold Air function from control panel2. Refill water tank3. Contact your supplier
Odours	<ol style="list-style-type: none">1. When the Cooler is new.2. Unit not maintained properly	<ol style="list-style-type: none">1. When the unit is used for the very first time, an odour can sometimes be present. This should only last a few hours at the most2. Clean the unit using a non-toxic cleaning solution

If any of the above do not work, please contact your supplier for further assistance.



The Hire Supply Company (UK) Ltd
Building No 2, First Floor
Sheet Stores Industrial Estate
Long Eaton, Nottingham
NG10 1AU, UK

