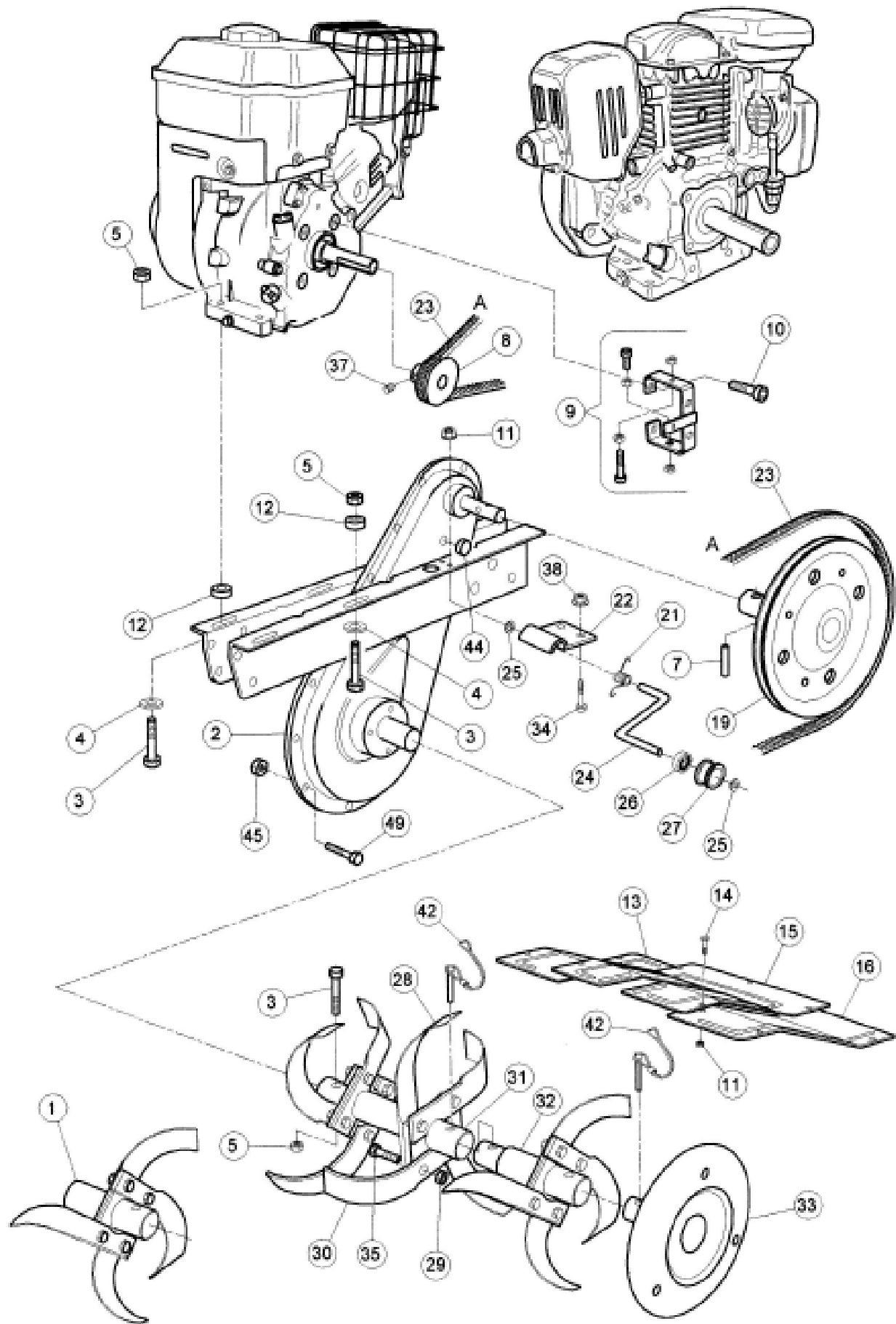




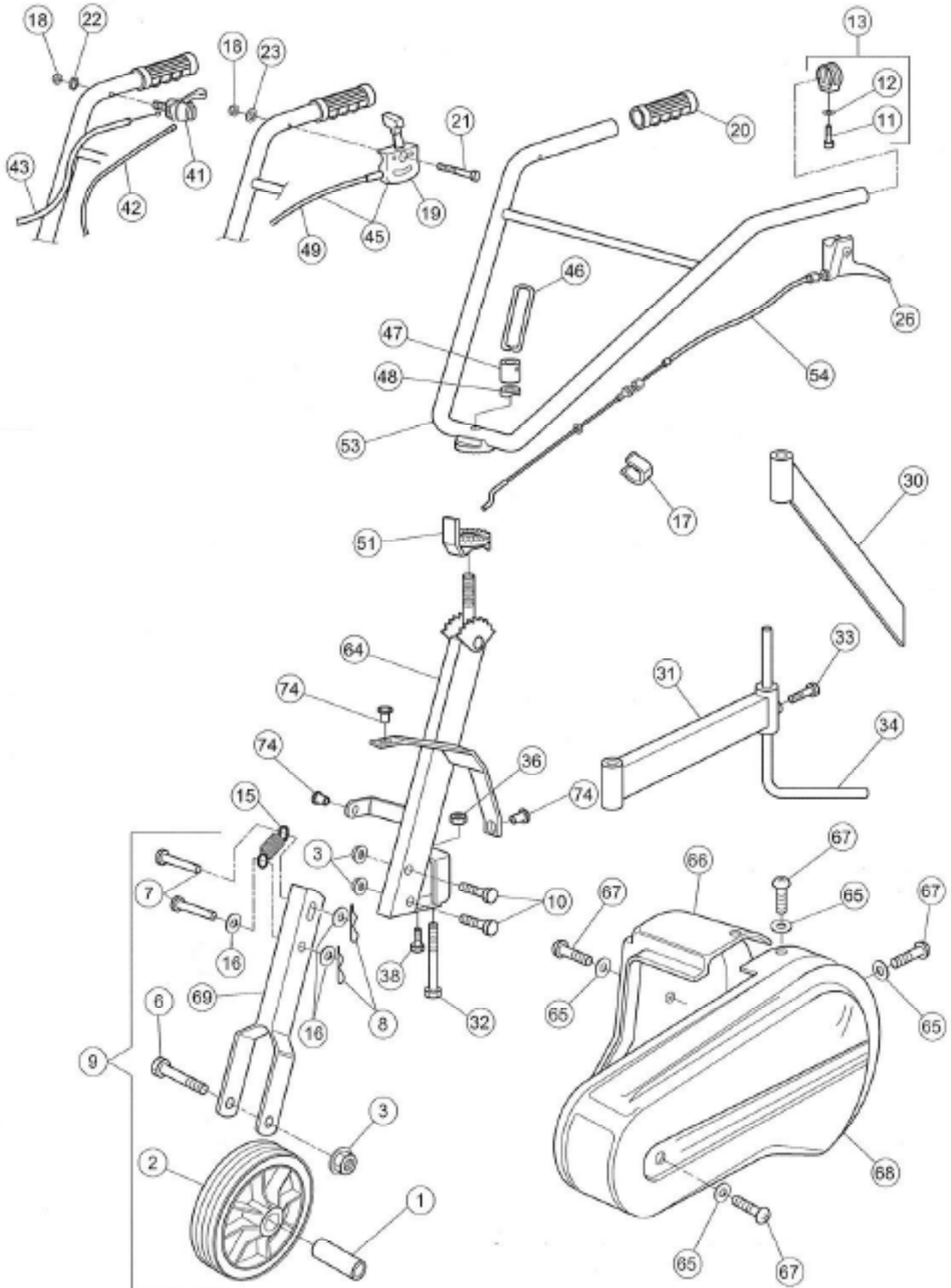
**Machinery | Spares | Consumables**  
(Specialist suppliers to Tool Hire & Garden Machinery Dealers)

# BL300 Parts List



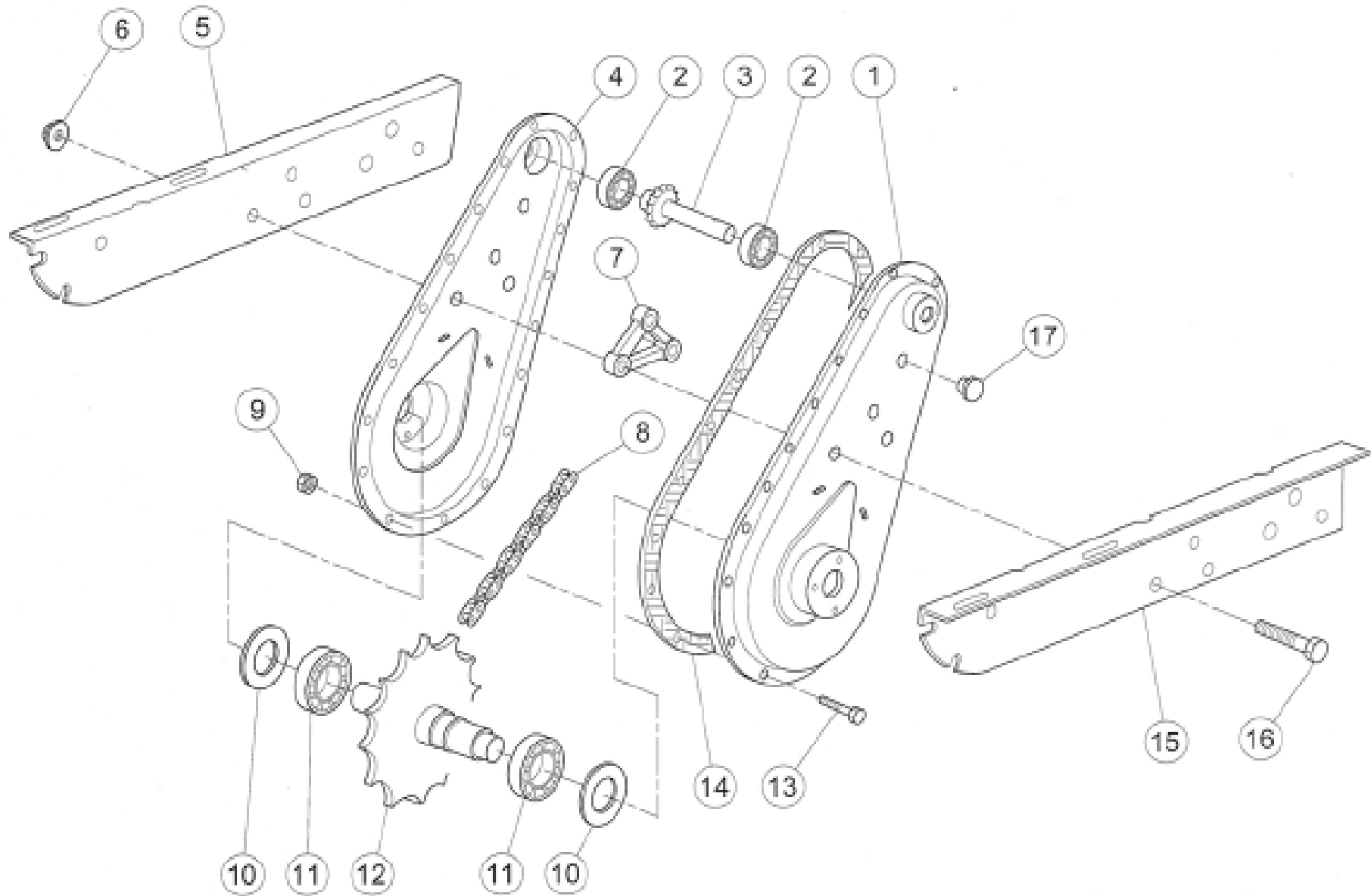


Item No.	Part No.	Description
1	02.198.0.001.0	Single Rotor
2	02.265.4.002.0	Frame BL30/35/300/350
3	02.264.3.003.0	Bolt TE 8x50
4	02.003.0.017.0	Washer 8x24
5	02.006.0.058.0	Self-Locking Nut M8 A. 0289
7	02.198.0.007.2	Spiral Pin 6x36
8	02.198.0.008.0	Drive Pulley BL30/35 d.19
9	02.265.3.011.0	Support Hood BL30/35 (cof.bl45)
10	02.263.0.010.0	Screw TCEI 5/16
11	02.255.0.013.0	Nut M6
12	02.199.0.005.0	Spacer
13	02.198.0.013.0	Right Hand Extension Guard
14	02.009.0.035.0	Bolt TE M6x12 0032
15	02.198.0.015.0	Guard Tiller
16	02.198.0.016.0	Left Hand Extension Guard
19	02.263.0.019.0	Pulley (Large)
21	02.295.0.036.0	Spring Tensioner
22	02.295.0.038.0	Fixing Plate For Tensioner
23	02.198.0.023.1	Belt M.A.BL 35 SPZX1120 KEVL.
24	02.295.0.035.0	Tensioner m.a.
25	02.295.0.032.0	Ring ZA10
26	02.198.0.026.0	Bearing 6300/2RS
27	02.198.0.027.0	Pulley (Tensioner)
28	02.199.0.037.0	Right Hand Rotor Blade
29	02.001.0.006.0	Nut M8 H.6,5
30	02.199.0.039.0	Left Hand Rotor Blade
31	02.198.0.031.1	Twin Rotor
32	02.198.0.032.0	Extension Rotor
33	02.198.0.033.0	Crop Disc
34	02.001.0.071.0	Bolt
35	02.001.0.016.0	Bolt
37	02.207.0.069.0	Grub Screw M6x8
38	02.255.0.013.0	Nut M6
42	02.336.0.023.0	Link Pin 8x45
44	02.279.0.078.0	Cap
45	02.014.0.030.0	Self-Locking Nut M5 h.6,5
49	02.115.0.014.0	Bolt M5x12 TE0017



Item No.	Part No.	Description
1	02.200.0.001.0	Bushing
2	02.200.0.002.2	Wheel d.200
3	02.200.1.037.0	Nut M10 c/rond.
4	02.011.0.034.0	Washer (Bevelled d.10)
5	02.078.1.055.0	Nut M10 (0265)
6	02.000.0.006.0	Bolt TE M10x80
7	02.266.0.007.0	Bolt (BL30/35)
8	02.029.0.066.0	Spring Clip Z-1595
9	97066300	Transport Wheel Assembly
9	97061800	Transport Wheel Assembly
10	02.079.0.010.0	Bolt M10x45 TE0123
11	02.222.0.014.0	Screw TCE M6x40
12	02.025.0.022.0	Washer Gr.D6 0239
13	02.391.0.013.0	Band c/w Screw
15	02.404.0.009.0	Spring
16	02.011.0.034.0	Washer (Bevelled d.10)
17	02.153.0.014.0	Band
18	02.003.0.012.0	Nut
19	02.015.0.005.0	Throttle
20	02.266.0.020.0	Handle Grip
21	02.281.0.028.0	Bolt TCE M6x45
22	02.031.0.004.0	Washer
23	02.001.0.072.0	Washer
26	02.397.0.030.0	Clutch Lever
30	02.294.0.032.0	Depth Skid (BL28/30)
31	02.200.0.031.0	Depth Skid Bracket
32	02.200.0.032.0	Bolt TE M12x90
33	02.006.0.012.0	Bolt TE M10x25 0119
34	02.175.0.032.0	Depth Skid (BL30/35/45)

<b>Item No.</b>	<b>Part No.</b>	<b>Description</b>
36	02.200.0.036.0	Self-Locking Nut M12
38	02.006.0.034.0	Bolt TE M10x20 0118
41	02.097.0.003.0	Throttle (For Honda/Kama)
42	02.266.0.042.0	Engine Stop Wire (BL30H/BL35H/Kama)
43	02.266.0.043.0	Throttle Cable (GX120/GX160)
45	02.222.0.083.0	Throttle c/w Wire
46	02.003.0.006.0	Spring 1159
47	02.003.0.005.0	Bushing 10x30
48	02.003.0.004.0	Washer For Handle Adjuster
49	02.196.1.031.0	Throttle Cable
50	02.266.0.050.0	Handlebar (BL30 reg)
51	02.003.0.003.0	Position Washer
53	02.281.0.028.0	Bolt TCE M6x45
54	02.391.0.054.0	Front Speed Wire
54	02.266.3.054.0	Forward Gear Wire
54	02.266.1.054.0	
64	02.200.0.041.1	Support For Handle Bar Chain
65	02.006.0.049.0	Washer 6x18
66	02.198.0.018.6	Inner Belt Guard
67	02.198.0.017.0	Screw (Combi M6x20)
68	02.198.0.020.6	Outer Belt Guard
74	02.396.0.061.0	Threaded Insert



<b>Item No.</b>	<b>Part No.</b>	<b>Description</b>
1	02.392.0.001.0	Left Hand Chaincase
2	02.259.0.005.0	Bearing 6003/2RS
3	02.263.0.041.1	Pinion Z 8 BL 30/35
4	02.392.0.004.0	Chaincase Right Hand
5	02.392.0.005.0	Engine Support Right Hand
6	02.227.0.012.0	Nut
7	02.392.0.007.0	Spacer
8	02.263.0.044.0	Chain BL 30/35
9	02.014.0.030.0	Nut Self-Locking M5 h.6,5
10	02.263.0.053.0	Ring (Shim)
11	02.263.0.054.0	Bearing
12	02.263.0.055.0	Rotor Drive Shaft c/w Sprocket BL30/35/350
13	02.395.0.019.0	Bolt TCEI M5X12
14	02.392.0.014.0	Crankcase Gasket
15	02.392.0.015.0	Engine Support Left Hand
16	02.009.0.029.0	Bolt TE M8X40 0076
17	02.279.0.078.0	Cap