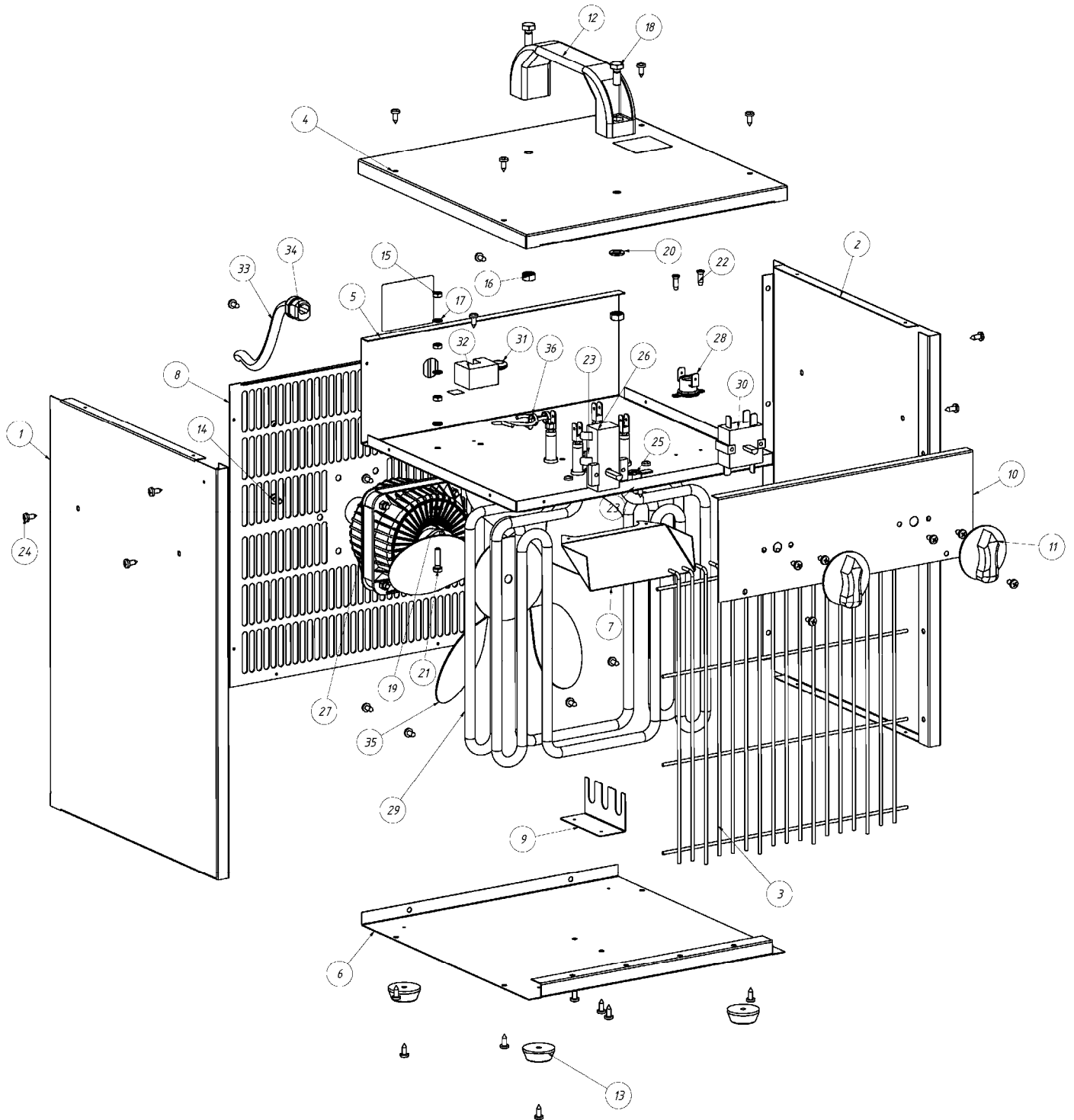


MASTER ELECTRIC HEATERS

MODEL B 3 EPB UK

ILLUSTRATED PARTS BREAKDOWN



MASTER ELECTRIC HEATERS B 3 EPB UK 3kW

Pos.	Description	Code	Qty.
1	RIGHT SIDE COVER	S/R	1
2	LEFT SIDE COVER	S/R	1
3	GRILL	4511.239	1
4	TOP COVER	S/R	1
5	SHELF	S/R	1
6	DOWN COVER	S/R	1
7	DEFLECTOR	S/R	1
8	BACK GRILL COVER	S/R	1
9	HEATING ELEMENT BRACKET	4511.221	1
10	FRONT PANEL	S/R	1
11	KNOB 44mm	4510.610	2
12	HANDLE	4510.601	1
13	RUBBER LEG	4510.607	4
14	SCREW M4X8	4510.814	3
15	HEXAGON NUT M4	4510.808	3
16	HEXAGON NUT M6	4510.830	2
17	SPRING LOCK WASHER	4510.810	3
18	HEXAGON HEAD SCREW M6X16	4510.829	2
19	TOOTHED LOCK WASHER A4.3	4510.811	1
20	SPRING LOCK WASHER	4510.831	2
21	SCREW M4X16	4510.828	1
22	SCREW ST3,9X9,5	4510.841	2
23	TAPPING SCREW ST3.9X9.5	4510.802	4
24	TAPPING SCREW ST3,5X9,5	4510.847	39
25	OVERHEAT THERMOSTAT 16A/250V 80oC	4510.449	1
26	BIMETALLIC THERMOSTAT 16A/250V 5-75oC	4510.403	1
27	MOTOR 7W/230V	4510.310	1
28	OVERHEAT SENSOR 16A/250V 60oC/NO	4510.404	1
29	HEATING ELEMENT 1400W/230V	4510.373	2
30	ROTARY SWITCH 16A/400V	4510.401	1
31	SEAL WIRE	4511.621	1
32	SCREW TERMINAL BLOCK	4510.421	1
33	POWER CORD WITH UK PLUG	4510.419	1
34	STRAIN RELIEF BUSHING	4510.605	1
35	FAN 230/28	4510.320	1
36	BELT	4510.608	2

S/R = Parts Available On Special Request Only