



MASTER


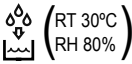




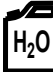
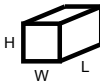



<p>MCS Italy S.p.A. Via Gardesana 11, 37010 Pastrengo (VR), Italy info@mcsitaly.it</p> <p>MCS Central Europe Sp. z o.o. ul. Magazynowa 5A, 62-023 Gądk, Poland office@mcs-ce.pl</p> <p>MCS Russia LLC ul. Transportnaya - 22 ownership 2, 142802, STUPINO, Moscow region, Russia info@mcsrussia.ru</p> <p>MCS China LTD Unit 2B, 512 Yunchuan Rd., Shanghai, 201906, China office@mcs-china.cn</p>	<p>MCS Italy S.p.A. Виа Гардесана, 11, 37010 Пастренго (Верона), Италия info@mcsitaly.it</p> <p>MCS Central Europe Sp. z o.o. ул. Магазинова, 5А, 62-023 Гадки, Польша office@mcs-ce.pl</p> <p>ООО «ЭмСиЭс Россия» Ул. Транспортная, владение 22/2, 142802, г.Ступино, Московская обл., РФ info@mcsrussia.ru</p> <p>MCS China LTD Юньчуань роад, 512, строение 2В, Шанхай, 201906, Китай office@mcs-china.cn</p>
--	--

USER AND MAINTENANCE BOOK
LIBRETTO USO E MANUTENZIONE
BEDIENUNGS- UND WARTUNGSANLEITUNG
MANUAL DE INSTRUCCIONES PARA EL USO Y MANTENIMIENTO
MANUEL D'UTILISATION ET DE MAINTENANCE
HANDLEIDING VOOR GEBRUIK EN ONDERHOUD
MANUAL DE USO E MANUTENÇÃO
VEJLEDNING OM BRUG OG VEDLIGEHOLDELSE
KÄYTTÖ- JA HUOLTO-OHJE
HEFTE FOR BRUK OG VEDLIKEHOLD
ANVÄNDAR- OCH UNDERHÅLLSHANDBOK
INSTRUKCJA OBSŁUGI I KONSERWACJI
РУКОВОДСТВО ПО ЭКСПЛУАТАЦИИ И ТЕХНИЧЕСКОМУ ОБСЛУЖИВАНИЮ
PŘÍRUČKA PRO POUŽITÍ A ÚDRŽBU
HASZNÁLATI ÉS KARBANTARTÁSI KÉZIKÖNYV
PRIROČNIK Z NAVODILI ZA UPORABO IN VZDRŽEVANJE
KNJŽICA O UPORABI I ODRŽAVANJU
NAUDOJIMO IR PRIEŽIŪROS KNYGELE
LIETOŠANAS UN TEHNISKĀS APKOPEŠ GRĀMATINA
KASUTUS- JA HOOLDUSJUHEND
LIVRET DE UTILIZARE SI ÎNTREȚINERE
PRÍRUČKA PRE POUŽITIE A ÚDRŽBU
НАРЪЧНИК ЗА ИЗПОЛЗВАНЕ И ПОДДРЪЖКА
ІНСТРУКЦІЯ З ОБСЛУГОВУВАННЯ
使用和维护手册

en
it
de
es
fr
nl
pt
da
fi
no
sv
pl
ru
cs
hu
sl
hr
lt
lv
et
ro
sk
bg
uk
zh

**ТЕХНИЧЕСКИ ДАНИ - TECHNICKÉ ÚDAJE - TECHNISCHE DATEN - TEKNISK DATA -
TEHNILISED ANDMED - ESPECIFICACIONES TÉCNICAS - TEKNISET TIEDOT -
DONNÉES TECHNIQUES - TECHNICAL DATA - TEHNIČKI PODACI - MŐSZAKI ADATOK -
DATI TECNICI - TECHNINIAI DUOMENYS - TEHNIŠKIE DATI - TECHNISCHE GEGEVENS -
TEKNISKE DATA - DANE TECHNICZNE - DADOS TÉCNICOS - DADOS TÉCNICOS - INFORMAZIONI
TEHNICE - ТЕХНИЧЕСКИЕ ДАННЫЕ - TEKNISKA DATA - TEHNIČNI PODATKI -
TECHNICKÉ PARAMETRE - ТЕХНІЧНІ ДАНІ - 技术参数**

MODEL	DH 716	DH 720
	~220V-240V-B / 50Hz - Гц 260W - Вт	~220V-240V-B / 50Hz - Гц 390W - Вт
 (RT 30°C) (RH 80%)	16 l/day - л / 24ч	20 l/day - л / 24ч
	Rotary	Rotary
	R-134a 0,14kg - кг	R-134a 0,15kg - кг
	5 ~ 32°C	5 ~ 32°C
	35 ~ 95%	35 ~ 95%
	5 L - л	5 L - л
	336 x 210 x 547 mm - мм	336 x 210 x 569 mm - мм
	10,4 kg - кг	11 kg - кг
CO ₂ Eq	0,2002	0,2145
GWP	1430	

en: THE UNIT IS SEALED AND CONTAINS FLUORINATED GREENHOUSE GASES COVERED BY KYOTO PROTOCOL.
it: L'APPARECCHIO È SIGILLATO E CONTIENE GAS FLUORURATI AD EFFETTO SERRA DISCIPLINATI DAL PROTOCOLLO DI KYOTO.
de: DAS BAUTEIL IST VERSIEGELT UND ENTHÄLT FLUORKOHLLENWASSERSTOFFHAL TIGE TREIBHAUSGASE ENTSPRECHEND DES KYOTO PROTOKOLLS.
es: LA UNIDAD ESTÁ SELLADA Y CONTIENE GASES FLUORADOS DE EFECTO INVERNADERO REGULADOS POR EL PROTOCOLO DE KYOTO.
fr: L'APPAREIL EST SCELLÉ ET CONTIENT DES GAZ FLUORÉS À EFFET DE SERRE VISÉS PAR LE PROTOCOLE DE KYOTO.
nl: DE UITRUSTING IS VERZEGELD EN GEFLUOREERDE BROEIKASGASSEN BEVAT DIE VALLEN ONDER HET PROTOCOL VAN KYOTO.
pt: O APARELHO É SIGILADO E CONTÉM GÁS FLUORADO EFEITO DE ESTUFA REGULAMENTADOS PELO PROTOCOLO DE KYOTO.
da: ENHEDEN ER FORSEGLT OG INDEHOLDER FLUORHOLDIGE DRIVHUSGASSER I OVERENSSTEMMELSE MED KYOTO-PROTOKOLLEN.
fi: YKSIKKÖ ON SULJETTU JA SISÄLTÄÄ FLUORATTUJA KASVIHUONEKAASUJA, JOITA KIOTON PÖYTÄKIRJAN.
no: APPARATET ER LUKKET OG INNEHOLDER FLUORISERTE DRIVHUSGASSER I OVERENSSTEMMELSE MED KYOTOPROTOKOLLEN.
sv: ENHETEN ÄR FÖRSEGLAD OCH INNEHÄLLER FLUORERADE VÄXTHUSGASER SOM OMFATTAS AV KYOTOPROTOKOLLET.
pl: URZĄDZENIE ZAMKNIĘTE HERMETYCZNIE, ZAWIERA FLUOROWANE GAZY CIEPLARNIANE OBJĘTE PROTOKOŁEM Z KYOTO.
ru: БЛОК ГЕРМЕТИЧЕСКИ ЗАКРЫТ И СОДЕРЖИТ ФТОРСОДЕРЖАЩИЕ ПАРНИКОВЫЕ ГАЗЫ В СООТВЕТСТВИИ С КИОТСКИМ ПРОТОКОЛОМ.
cs: TENTO VÝROBEK JE BEZPEČNĚ UTĚSNĚN A OBSAHUJE FLUOROVANÉ SKLENÍKOVÉ PLYNY DLE MEZINÁRODNÍHO PROTOKOLU Z KJÓTA.
hu: A KÉSZÜLÉK ZÁRT RENDSZERE A KYOTO. EGYEZMÉNY ÁLTAL ENGEDÉLYEZETT, FLUÓROZOTT, ÜVEGHÁZHATÁSÚ GÁZOKAT TARTALMAZ.
sl: NAPRAVA JE ZATESNJENA IN VSEBUJE TOPLOGREDNE PLINE S FLUOROM, KI USTREZAJO KYOTSKEM PROTOKOLU.
hr: UREĐAJ JE ZABRTVLJEN TE SADRŽI FLUORIZIRANE STAKLENIČKE PLINOVE PREMA EKOLOŠKOM PROTOKOLU IZ KYOTA.
it: L'APPARECCHIO È SIGILLATO E CONTIENE GAS FLUORURATI AD EFFETTO SERRA DISCIPLINATI DAL PROTOCOLLO DI KYOTO.
lv: VIENĪBA IR NOSĒGĒTS UN IEKĀRTA SATUR FLUORĪDA SILTUMNĪCAS EFEKTU IZRAISOŠO GĀZI, UZ KO ATTIECAS KYOTO PROTOKOLS.
et: SEADE ON HERMEETILISELT SULETUD JA SISALDAB FLUORITUD KASVUHOONEGAASI, MIS ON KOOSKÖLAS KYOTO PROTOKOLLIGA.
ro: UNITATEA ESTE SIGILATA SI CONTINE GAZA FLUORINATE CU EFECT DE SERA REGLEMENTATE DE PROTOCOLUL DE LA KYOTO.
sk: TENTO VÝROBEK JE BEZPEČNĚ UTĚSNĚNÝ A OBSAHUJE FLUOROVANÉ SKLENNÍKOVÉ PLYNY PODĹA MEZINÁRODNÉHO PROTOKOLU Z KJÓTA.
bg: МАШИНАТА Е ЗАПЕЧАТАНА И СЪДЪРЖА ФЛУОРНИ ПАРНИКОВИ ГАЗОВЕ, ЧИЕТО НИВО Е В ПЪЛНО СЪОТВЕТСТВИЕ С ПРОТОКОЛА ОТ КИОТО.
zh: 此容器是密封的，并装有京都议定书所涵盖的含氟温室气体。

en
it
de
es
fr
nl
pt
da
fi
no
sv
pl
ru
cs
hu
sl
hr
lt
lv
et
ro
sk
bg
uk
zh

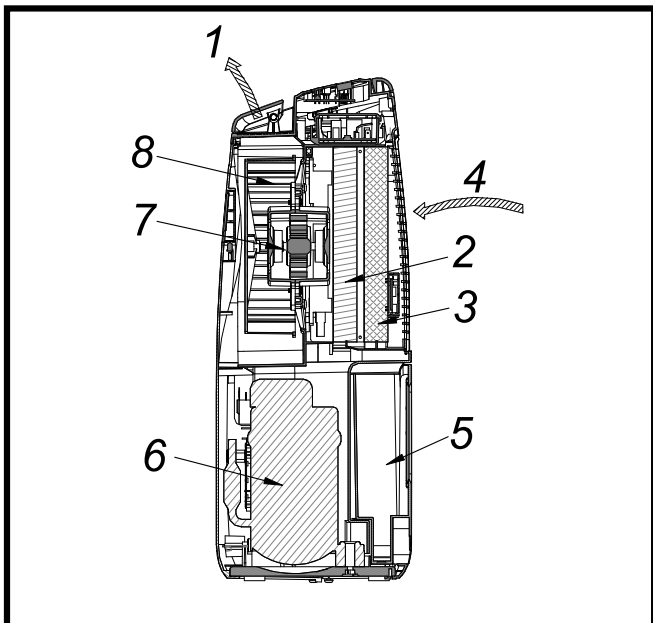


Fig. 1

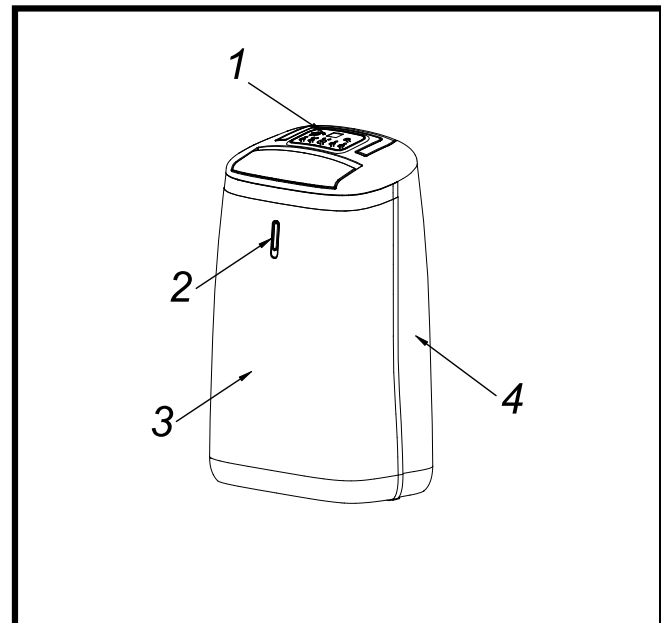


Fig. 2

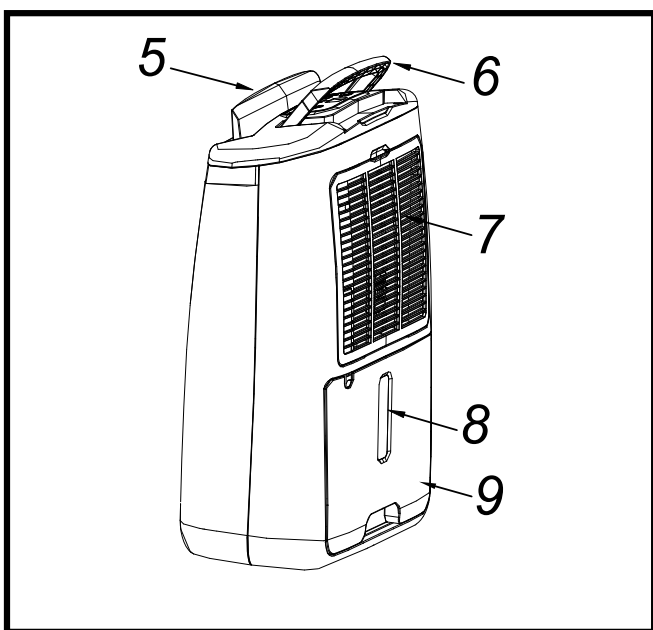


Fig. 3

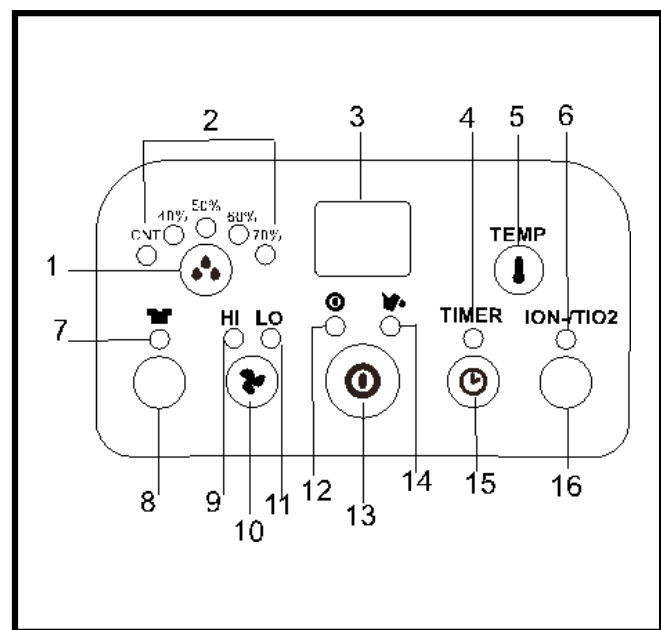


Fig. 4

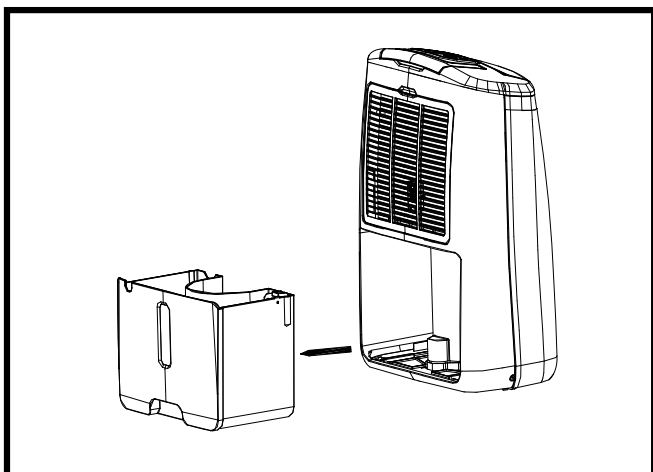


Fig. 5

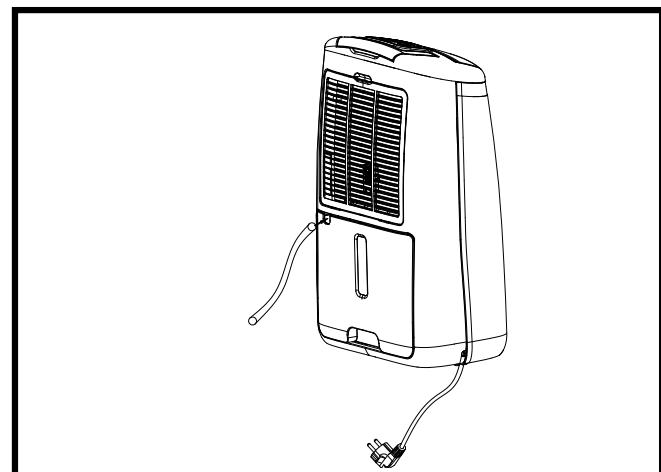


Fig. 6

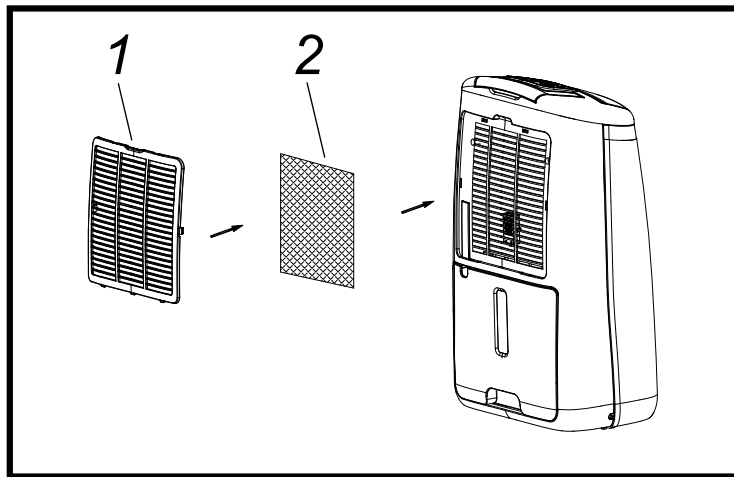


Fig. 7

- en
- it
- de
- es
- fr
- nl
- pt
- da
- fi
- no
- sv
- pl
- ru
- cs
- hu
- sl
- hr
- lt
- lv
- et
- ro
- sk
- bg
- uk
- zh

1...	HOW IT WORKS
2...	WHERE TO POSITION
3...	BEFORE USE
4...	PARTS
5...	OPERATION
6...	DRAINAGE
7...	MAINTENANCE
8...	TROUBLE SHOOTING

PLEASE TAKE TIME TO READ THIS MANUAL CAREFULLY BEFORE USE AND SAVE IT FOR FUTURE REFERENCE.

►► 1. HOW IT WORKS

This product is a dehumidifier. It controls relative humidity by passing the air through the unit, forcing the excess moisture to condensate over the cooling elements. Contact with this cold surface causes the moisture in the air to condense. This condensed water then drains safely into the water tank. The dried air then passes through the condenser where it is slightly warmed and re-enters the room at a slightly elevated temperature.

► FIG. 1

1. Dry warmer air
2. Condenser (warmed coil)
3. Evaporator (cold refrigerated coil)
4. Moist saturated air
5. Water tank
6. Compressor
7. Motor
8. Fan rotor

►► 2. WHERE TO POSITION

Excess moisture will travel throughout your home, in the same way that cooking smells waft to every room in the house. For this reason, the dehumidifier should be positioned, so that it can draw this moist air towards it from all over the home.

Alternatively, if you have a serious problem in one area you can begin by positioning the dehumidifier close to this area and later moving it to a more central point.

When positioning the dehumidifier, ensure that it is placed on a level surface and that there is a minimum of 10 cm (4") of space on either side of the unit to allow for efficient airflow.

This dehumidifier is fitted with castors for extra mobility, if you move the unit, it should first be switched off and the water tank emptied.

We do not recommend the use of an extension lead, so please try to ensure that the unit is sufficiently close to a fixed mains socket. If it is necessary to use an extension lead, please ensure the diameter of the wires of the cable is at least 1 mm².

When the dehumidifier is in operation, outside doors and windows should be closed when necessary for most efficient use .

►► 3. BEFORE USE CAUTION!

- Always keep the unit in vertical position.
- Leave the unit to stand for one hour before connecting to the mains supply after transport or when it has been tilted (e.g. during cleaning).
- Keep all foreign objects away from the air intake or output openings.
- The mains supply must conform to the specification shown on the rating plate at the back of the unit.
- If the supply cord is damaged, it must be replaced by an approved service representative or a similar qualified person in order to avoid a hazard.
- Never use the plug to start and stop the unit. Always use switch on the control panel.
- Before moving the unit, first switch off, then unplug and empty the water tank.
- Don't use bug sprays or other flammable cleaners on the unit.
- Never pour or spray water over the unit.
- THIS APPLIANCE IS NOT INTENDED FOR USE BY PERSONS (INCLUDING CHILDREN) WITH REDUCED PHYSICAL, SENSORY OR MENTAL CAPABILITIES, OR LACK OF EXPERIENCE AND KNOWLEDGE, UNLESS THEY HAVE BEEN GIVEN SUPERVISION OR INSTRUCTION CONCERNING USE OF THE APPLIANCE BY A PERSON RESPONSIBLE FOR THEIR SAFETY. CHILDREN SHOULD BE SUPERVISED TO ENSURE THAT THEY DO NOT PLAY WITH APPLIANCE.

IMPORTANT!

Do not use this unit at ambient temperatures below 5°C, to prevent the possibility of a heavily ice up evaporating coil.

►► 4. PARTS

- Front FIG. 2
- 1. Control panel
- 2. Ambient light
- 3. Front plate
- 4. Rear plate
- Rear FIG. 3
- 5. Wind flap
- 6. Handle
- 7. Air inlet / Filters
- 8. Water level window
- 9. Water tank

►► 5. OPERATION

- Control panel FIG. 4
- 1. Humidity setting button

2. Working mode indicator (continuous working, humidity 40%, 50%, 60%, 70%)
3. Humidity/Temperature display
4. Timer operation indicator
5. Temperature display button
6. Ionizer or TiO2 indicator (these are optional function depending on the model you purchased)
7. DRYER indicator
8. DRYER button
9. High ventilation indicator
10. Speed/Ventilation button
11. Low ventilation indicator
12. Power indicator
13. ON/OFF (power) button
14. "Full Water" indicator
15. TIMER button
16. Ionizer or TiO2 button (these are optional function depending on the model you purchased)

► Ambient light features

- Blue light – room humidity > 70%
- Green light – room humidity 50~70%
- Red light – room humidity < 50%
- Red light flash – water full alarm

Operation

1. Plug the unit into a correct mains socket. (Please refer to the rating label at the rear of the unit for correct voltage/frequency.)
2. Press ON/OFF button to turn on the unit. The compressor will start to work.
3. Press humidity setting button to set the working model you need: continuous working, humidity 40%, 50%, 60% or 70%. The relative indicator will light on.
4. Press speed/ventilation button to set the ventilation speed, high or low. The relative indicator will light on.
5. Press the TIMER button to set the operating hour you need (1~24 hours). The display window will show the hour(s) you set as you press the TIMER button, after releasing it for 8 seconds around, the display window will return to the room humidity. As the set time has been reached, the compressor will stop working automatically.
6. By pressing the "TEMP" button, the display window will show the room temperature, after releasing the button for 8 seconds around, the display window will return to the room humidity.
7. DRYER function is turbo ventilation to dry the moisture in the air continuously, so it could help to dry the laundry.
8. To turn off the unit, press ON/OFF button again.
9. Pre-setting function By pressing TIMER button but without turning on the other functions (including ON/OFF button), you can PRE-SET the time for the machine to work. For example, if you press the timer to '2', the unit will work automatically after 2 hours

►► 6. DRAINAGE

While the water tank is full, the compressor will stop for self-protection and the water full indicator will turn into red. To move the water tank, pull it out squarely from the unit. After emptying the water tank, place the water tank into space. Make sure it is properly positioned, in order for the 'water full' sign to go out and your dehumidifier is operating.

Please note, in case, the water tank has not been positioned well, the water full indicator will turn into red.

►► CONTINUOUS DRAINAGE

When the dehumidifier is operated at very high humidity levels, the water tank will require more frequent drainage. In this situation, it may be more convenient to set the unit up for continuous drainage with the following procedures:

1. Pull out the water tank (FIG. 5).
2. Connect the drain hole with water tube of inner diameter: 11 mm. The water tube is not supplied with the unit (FIG. 6).
3. Ensure the water will always drain away freely and the tube will remain in right place. Note! In very cold weather conditions, precautions should be taken to prevent the water tube from freezing.
4. Put the water tank back to its position.

►► 7. MAINTENANCE

Always unplug the unit from the mains before carrying out any maintenance or cleaning of the unit.

CLEANING THE BODY

Use soft cloth to wipe the unit clean. Don't ever use volatile chemicals, gasoline, detergents, chemically treated clothes, or other cleansing solutions. These all could possibly hurt the cabinet.

CLEANING THE FILTER

This dehumidifier is equipped with 2 filters (FIG. 7):

1. ANTI-DUST FILTER

Extract the filter holder, remove the active carbon filter. Use a vacuum cleaner or tap the filter lightly for easy cleaning. If the filter is particularly dirty, use warm water with a small amount of a small amount of medium strength detergent.

Make sure the filter is completely dry before replacing. Do not expose the filter to sunlight.

2. ACTIVE CARBON FILTER (for capturing the particles of dust suspended in the air and preventing the production of bacteria.)

The active carbon filter placed under the anti-dust filter is not washable. Its life span is variable and depends on the ambient conditions where the unit is used. The filter should be checked periodically and replaced if necessary.

STORAGE

If not use the unit for an extended period of time. Please: Turing the unit off, unplug and tidy AC cord.

- Completely empty the water tank and wipe it clean.
- Cover the unit and store where it will not receive direct sunlight.

►► 8. TROUBLE SHOOTING

THE UNIT DOES NOT OPERATE:

- Is the unit plugged in?
- Is the house electricity on?
- Is the room temperature below 5°C or above 35°C? If so, then it is out of the working range of the unit.
- Ensure the humidistat (or ON/OFF switch) is turned on.
- Check the water tank is positioned properly in the unit and it is not full.

en ▶ Make sure the air inlet and outlet are not obstructed.

THE UNIT SEEMS TO DO NOTHING:

- ▶ Is the filter dusty, contaminated ?
- ▶ Is the air intake or outlet blocked up?
- ▶ Is the room humidity already quite low?

THE UNIT SEEMS TO DO LITTLE:

- ▶ Are too many windows or doors open?
- ▶ Is there something in the room producing lots of humidity?

THE UNIT IS TOO NOISY:

- ▶ Check whether the unit is sitting on a level surface.

THE UNIT IS LEAKING:

- ▶ Make sure the unit is in good shape.
- ▶ If you are not using continuous drainage, make sure the rubber plug (at the bottom of the unit) is in its position.

Error codes on display

Code	Cause	Solution
E1	The room temperature sensor (with resin head) is open or short circuit fault	Checking if the room temperature sensor is plugged in properly on the PCB.
		Replace the room temperature sensor of room temp.
		Replace main PC board.
		The humidity level is below RH40%
E2	The system sensor (with copper head) is open or short circuit fault	Checking if the system sensor is plugged in properly on the PCB.
		Replace the system sensor
		Replace main PC board.

en
it
de
es
fr
nl
pt
da
fi
no
sv
pl
ru
cs
hu
sl
hr
lt
lv
et
ro
sk
bg
uk
zh

AL DEKLARATA E PËRSHTATJES TË BE
BG ДЕКЛАРАЦИЯ ЗА СЪВМЕСТИМОСТ ЕС
CZ EC PROHLÁŠENÍ O SHODĚ
CN CE认证
DE EG- KONFORMITÄTSEERKLÄRUNG
DK EF-OVERENSSTEMMELSESEERKLÆRING
EE EÜ CE SERTIFIKAAT
ES DECLARACIÓN DE CONFORMIDAD
FI EY:N VAATIMUSTENMUKAISUUSVAKUUTUS
FR DÉCLARATION CE DE CONFORMITÉ
GB EC DECLARATION OF CONFORMITY
GR ΔΗΛΩΣΗ ΠΙΣΤΟΤΗΤΑΣ ΕΚ
HR EC DEKLARACIJA O SUKLADNOSTI
HU EK MEGFELELŐSÉGI NYILATKOZAT
IT DICHIARAZIONE DI CONFORMITÀ CE
LT EB ATITIKTIES DEKLARACIJA
LV EK ATBILSTĪBAS DEKLARĀCIJA
NL EG-CONFORMITEITSVERKLARING
NO EUROPAKOMMISJONENS SAMSVARSEERKLÆRING
PL DEKLARACJA ZGODNOŚCI WE
PT DECLARAÇÃO CE DE CONFORMIDADE
RO DECLARAȚIA DE CONFORMITATE UE
RU ДЕКЛАРАЦИЯ СООТВЕТСТВИЯ ЕС
SE EU's STANDARDDEKLARATION
SI ES IZJAVA O SKLADNOSTI
SK ES VYHLÁSENIE O SÚLADE
TR UYGUNLUK BEYANATI
UA ДЕКЛАРАЦІЯ ВІДПОВІДНОСТІ ЄС
YU EC DEKLARACJA O USKLAĐENOSTI

MCS Central Europe Sp. z o.o.
ul. Magazynowa 5a, 62-023 Gądko, Polska

AL deklarujmë që: BG декларираме, че устройствата: CN 宣告 以下电暖风机: CZ prohlašujeme, že zařízení: DE wir erklären, dass die Geräte: DK vi erklærer hermed, at udstyr: EE kinnitame, et seadmed: ES declaramos que los dispositivos: FI todistamme, että seuraavat laitteet: FR nous déclarons que les appareils: GB declared that appliances: GR δηλώνουμε ότι ηλεκτρικοί θερμαντήρες αέρα: HR deklariramo da uređaji: HU tanúsítjuk, hogy a berendezések: IT dichiariamo che i dispositivi: LT deklaruojame, kad prietaisai: LV deklarējam, ka ierīces: NL wij verklaren dat de toestellen: NO vi erklærer at innretninger: PL deklarujemy że urządzenia: PTdeclaramos que: RO declarăm că dispozitivul este conform cu: RU заявляем, что оборудование: SE vi försäkrar att apparater: SI izjavljamo, da je oprema: SK prehlásenie, že zariadenie: TR hava ısıtıcılarının direktifler ve normlara: UA заявляємо, що обладнання: YU izjavljujemo da:

DH 716, DH 720

AL përshtatën direktivët BG Отговарят на директивите CN 严格符合 CZ Jsou v souladu s nařízením DE erfüllen die Richtlinien DK er i overensstemmelse med direktiver EE vastavad direktiividele ES cumplen con las directivas FI täyttäämukaisia direktiivejä FR sont conformes aux directives GB conform to directives GR ανταποκρίνονται προς οδηγίες HR zadovoljavaju direktive HU megfelel az irányelveknek IT sono conformi alle direttive LT atitinka direktyvas LV atbilst direktīvām NL voldoen aan directieven NO følger direktiver PL spełniają dyrektywy PT cumprem as directivas RO îndeplinește directivele RU соответствуют требованиям директив SE efterföljer uppsatta direktiv SI so skladni z direktivami SK sú v súlade so smernicami TR uygun olduğunu UA відповідають вимогам директив YU zadovoljavaju direktive

2014/30/EU, 2014/35/EU, 2011/65/EU

AL dhe normë BG И норми CN 的指令和规范 CZ A normami DE und Normen DK og standarder EE ja normidele ES y las normativas FI ja normit FR et aux normes GB and norms GR και πρότυπα HR i standarde HU és szabványoknak IT e norme LT ir normas LV un normām NL en normen NO og normer PL i normy PT e normas RO și norme cerute RU и норм SE och normer SI in normami SK a normami TR beyan ederiz UA и норм YU i standarde

EN 60335-1/A11:2014, EN 60335-2-40/A13:2012, EN 62233:2008
EN 55014-1:2006/A2:2011, EN 55014-2:2015,
EN 61000-3-2:2014, EN 61000-3-3:2013



Stefano Verani
CEO MCS Group

BG - Изхвърляне на вашия стар уред

- Когато този символ на задраскана кофа за боклук е поставен върху дадено изделие, това означава, че изделието попада под разпоредбите на Европейска директива 2002/96/EC.
- Всички електрически и електронни изделия трябва да се изхвърлят отделно от битовите отпадъци, в определени за целта съоръжения, посочени от държавните или местните органи.
- Правилното изхвърляне на вашия уред ще помогне за предотвратяване на възможни негативни последици за околната среда и човешкото здраве.
- За по-подробна информация за изхвърлянето на вашия стар уред се обърнете към вашата община, службите за събиране на отпадъци или магазина, откъдето сте купили своя уред.

CZ - Likvidace starého produktu

- Produkt je navržen a vyroben za použití velmi kvalitních materiálů a komponent, které lze recyklovat a znovu použít. - Když je produktu připevněn symbol s přeškrtnutým košem, znamená to, že je produkt kryt evropskou směrnicí 2002/96/EC.
- Informujte se o místním tříděném systému pro elektrické produkty.
- Řiďte se místními pravidly a nelikvidujte staré produkty spolu s běžným odpadem. Správná likvidace starého produktu pomůže zabránit případným negativním následkům pro životní prostředí a lidské zdraví.

DE - Entsorgung Ihres Altgerätes

- Ihr Produkt ist aus hochqualitativen Materialien und Bestandteilen hergestellt, die dem Recycling zugeführt und wiederverwertet werden können.
- Falls dieses symbol eines durchgestrichenen Müllcontainers auf Rollen auf diesem Produkt angebracht ist, bedeutet dies, dass es von der Europäischen Richtlinie 2002/96/EC erfasst wird.
- Bitte informieren Sie sich über die örtlichen Sammelstellen für Elektroprodukte und elektronische Geräte.
- Bitte beachten Sie die lokalen Vorschriften und entsorgen Sie Ihre Altgeräte nicht mit dem normalen Haushaltsmüll. Die korrekte Entsorgung Ihres Altgerätes ist ein Beitrag zur Vermeidung möglicher negativer Folgen für die Umwelt und die menschliche Gesundheit.

DK - Bortskaffelse af dit gamle produkt

- Dit produkt er designet og produceret med materialer af høj kvalitet, som kan blive genbrugt.
- Når du ser symbolet med en skraldespand, der er kryds over, betyder det, at produktet er dækket af EU direktiv nr. 2002/96/EC.
- Venligst sæt dig ind i de danske regler om indsamling af elektriske og elektroniske produkter.
- Venligst overhold de danske regler og smid ikke dine gamle produkter ud sammen med dit normale husholdningsaffald. Den korrekte bortskaffelsesmetode vil forebygge negative følger for miljøet og folkesundheden.

EE - Informatsioon kasutatud elektrooniliste ja elektriseadmete likvideerimise kohta

- See, seadmel olev märk informeerib, et tegemist on elektrooniliste või elektriseadmetega, mida pärast lõplikku kasutamist ei tohi hoida koos teiste jäätmetega.
- Kasutatud elektrooniliste ja elektriseadmete koostises on keskkonnale kahjulikke materjale. Selliseid seadmeid ei tohi hoida prügilates, need tuleb anda ümbertöötlemiseks.
- Informatsiooni kasutatud elektrooniliste ja elektriseadmete kogumissüsteemist võib saada seadme müüjalt müügikohtades ja tootjalt või maaletoojalt.
- Erilist tähelepanu peaksid osutama tarbijad, kes kasutavad nimetatud seadmeid eramajapidamises. Arvestades asjaoluga, et sellesse sektorisse satub kõige rohkem seadmeid, tähendab see, et nende osavõtt selektiivsest kasutatud seadmete kogumisest on eriti tähtis.
- Kasutatud elektrooniliste ja elektriseadmete hoidmine koos teiste jäätmetega on tarbijatele keelatud vastavalt Euroopa Liidu Direktiivile 2002/96/EC.

ES - Cómo deshacerse del producto usado

- Su producto ha sido diseñado y fabricado con materiales y componentes de alta calidad, que pueden ser reciclados y reutilizados.
- Cuando vea este símbolo de una papelera con ruedas tachada junto a un producto, esto significa que el producto está bajo la Directiva Europea 2002/96/EC.
- Deberá informarse sobre el sistema de reciclaje local separado para productos eléctricos y electrónicos.
- Siga las normas locales y no se deshaga de los productos usados tirándolos en la basura normal de su hogar. El reciclaje correcto de su producto usado ayudará a evitar consecuencias negativas para el medio ambiente y la salud de las personas.

FI - Vanhan tuotteen hävittäminen

- Tuotteesi on suunniteltu ja valmistettu korkealuokkaisista materiaaleista ja komponenteista, jotka voidaan kierrättää ja käyttää uudell.
- Kun tuotteessa on tämä ylivedetyn pyörillä olevan roskakorin symboli, tuote täyttää Euroopan Direktiivin 2002/96/EC.
- Ole hyvä ja etsi tieto lähimmästä erillisestä sähköllä toimivien tuotteiden keräysjärjestelmästä.
- Toimipaikallisten sääntöjen mukaisesti äläkä hävitä vanhaa tuotetta normaalin kotitalousjätteen joukossa. Tuotteen oikeanlainen hävittäminen auttaa estämään mahdolliset vaikutukset ympäristölle ja ihmisten terveydelle.