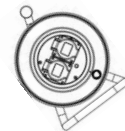


25M
50M 110V Light Industrial..
PP drum framed reel



110V - 16A

INTRODUCTION

Extension Reels are extremely durable and made for general site use. With toughened PP frames and recessed sockets they're made to endure site and industrial applications

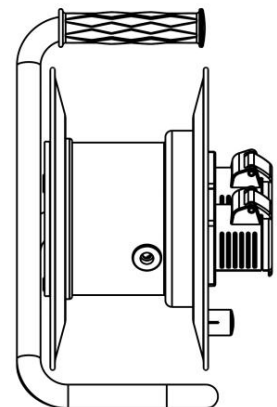
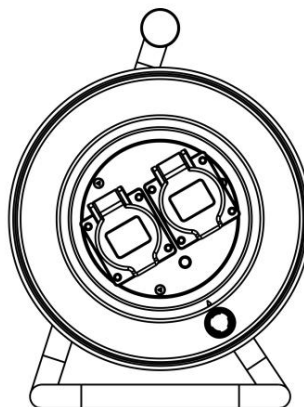
FEATURES

- Impact resistant outer shell with internal reel
- Flush & recessed power inlet sockets
- Easy wind motion
- Thermal overload protection

SPECIFICATION

Item no	EXR25M110 EXR25M1102.5 EXR50M110
Number of outlets	2x16A EN60309
Plug type	16A EN60309
Thermal reset	YES
Cable type	1.5mm, 3 Core H05VV-F 2.5mm, 3 Core H05VV-F
Cable length	25/50 meters
Ingress Protection	YES
Max load wound	600W
Max load unwound	1875W

SIZE & WEIGHT



EXR25M110 : 230X303X194(WXHxD)
EXR25M1102.5: 230X303X194(WXHxD)
EXR50M110: 270X363X208(WXHxD)



THE HIRE SUPPLY COMPANY (UK) LTD

7-10 Eldon Road Trading Estate, Attenborough
Nottingham, NG9 6DZ, UK
Tel 0115 9461988