

**25M
50M** 240V Light Industrial..
HD steel framed reel



240V - 13A

INTRODUCTION

Extension Reels are extremely durable and made for general site use. With toughened PP frames and recessed sockets they're made to endure site and industrial applications

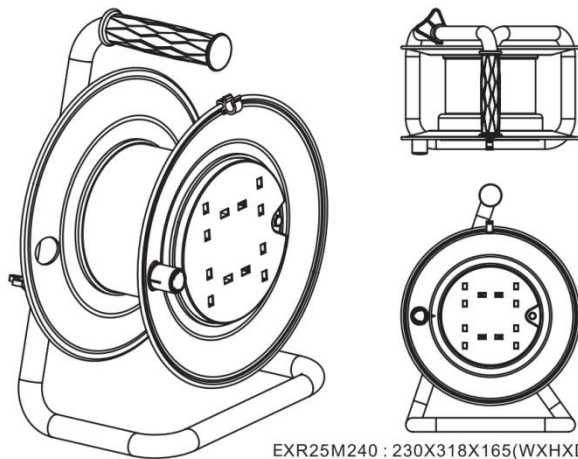
FEATURES

- Impact resistant outer shell with internal reel
- Flush & recessed power inlet sockets
- Easy wind motion
- Thermal overload protection

SPECIFICATION

Item no	EXR25M240 EXR25M2402.5 EXR50M240
Number of outlets	4x13A BS1363
Plug type	Molded BS1363/A 13A
Thermal reset	YES
Cable type	1.5mm, 3 Core H05VV-F 2.5mm, 3 Core H05VV-F
Cable length	25/50 meters
Ingress Protection	YES
Max load wound	1200W
Max load unwound	3120W

SIZE & WEIGHT



EXR25M240 : 230X318X165(WXHXD)
EXR25M2402.5 : 230X318X165(WXHXD)
EXR50M240 : 270X364X179(WXHXD)



THE HIRE SUPPLY COMPANY (UK) LTD
7-10 Eldon Road Trading Estate, Attenborough
Nottingham, NG9 6DZ, UK
Tel 0115 9461988