



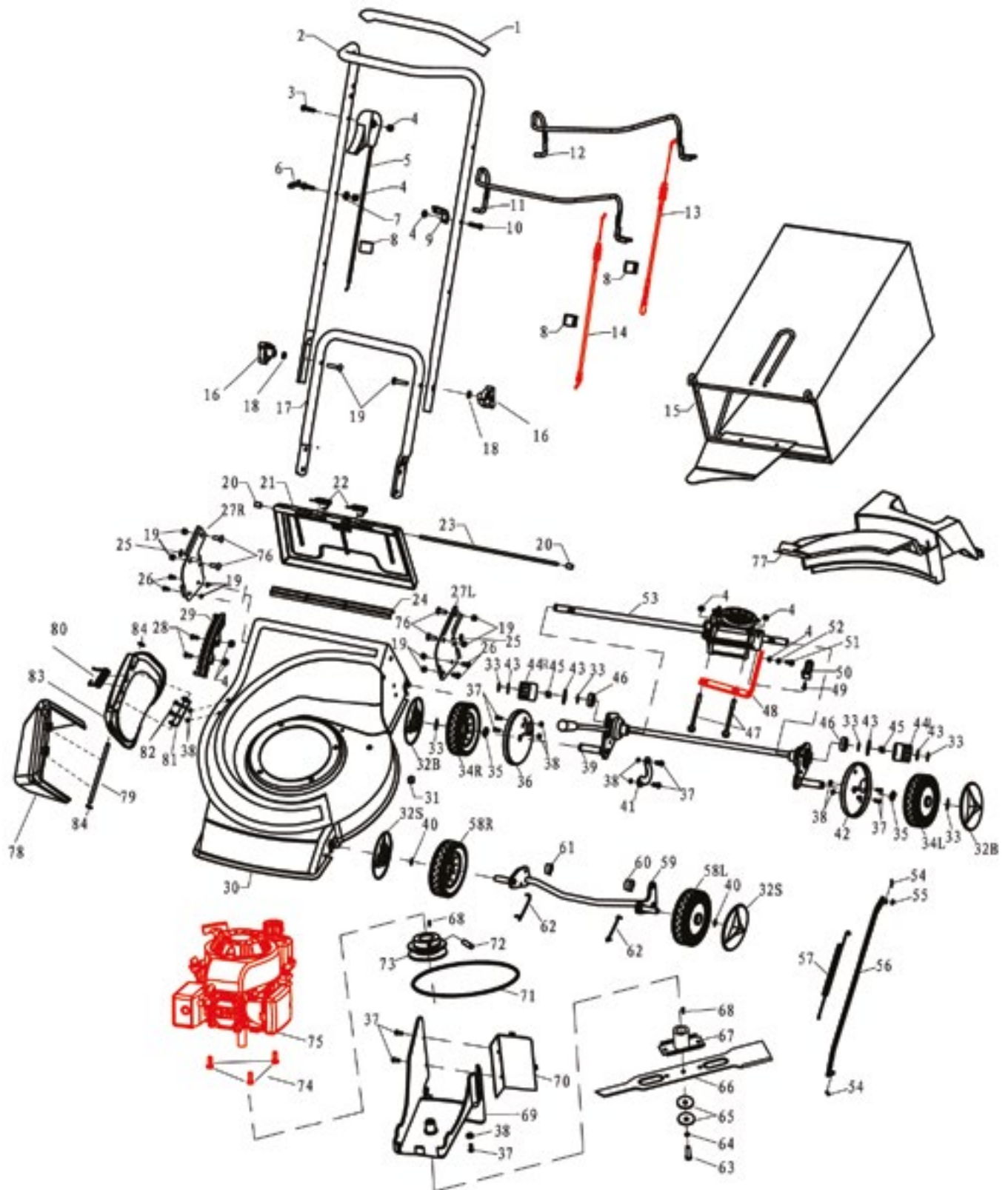
Machinery | Spares | Consumables
(Specialist suppliers to Tool Hire & Garden Machinery Dealers)

GP183N1SPM

Parts List



www.hscmsc.co.uk



Item No.	Part No.	Description
01	GP183N1SPM-01	PVC Upper Handle Grip
02	GP183N1SPM-02	Upper handle
03	GP183N1SPM-03	Snap-head bolt M6x45
04	GP183N1SPM-04	Locknut M6
05	GP183N1SPM-05	Throttle Cable
06	GP183N1SPM-06	Rope Guide
07	GP183N1SPM-07	Flat Washer
08	GP183N1SPM-08	Cable Clip
09	GP183N1SPM-09	Clutch Cable Clip (Upper Handle)
10	GP183N1SPM-10	Snap-head bolt M6x45
11	GP183N1SPM-11	Blade Engagement Lever
12	GP183N1SPM-12	Clutch Engagement Lever
13	GP183N1SPM-13	Clutch Cable
14	GP183N1SPM-14	Brake Cable
15	GP183N1SPM-15	Grass Catcher Assembly
16	GP183N1SPM-16	Plastic Hand Wheel
17	GP183N1SPM-17	Lower Handle
18	GP183N1SPM-18	Flat Washer
19	GP183N1SPM-19	Self-lock nut M8
20	GP183N1SPM-20	Transparent Pipe
21	GP183N1SPM-21	Rear Flap
22	GP183N1SPM-22	Rear Flap Spring
23	GP183N1SPM-23	Rear Flap Axle
24	GP183N1SPM-24	Rear Flap Seal
25	GP183N1SPM-25	Lock Ring
26	GP183N1SPM-26	Bolt M8x25
27	GP183N1SPM-27R	Lower Handle Plate Right Hand
27	GP183N1SPM-27L	Lower Handle Plate Left Hand
28	GP183N1SPM-28	Snap-head bolt M6x12
29	GP183N1SPM-29	Height Adjuster Quadrant (Steel)

Item No.	Part No.	Description
30	GP183N1SPM-30	Chassis 18" SP3IN1 Model
31	GP183N1SPM-31	Rubber protector
32	GP183N1SPM-32S	Front Wheel Cover
32	GP183N1SPM-32B	Rear Wheel Cover
33	GP183N1SPM-33	Wheel Push Clip
34	GP183N1SPM-34R	Rear 8" S/P Wheel Assembly Right Hand
34	GP183N1SPM-34L	Rear 8" S/P Wheel Assembly Left Hand
35	GP183N1SPM-35	Washer
36	GP183N1SPM-36	Steel Sheild Right Hand
37	GP183N1SPM-37	Snap-head bolt M5x12
38	GP183N1SPM-38	Self-lock M5
39	GP183N1SPM-39	Rear Axle Assembly
40	GP183N1SPM-40	Front Wheel Clip
41	GP183N1SPM-41	Rear Axle Bracket
42	GP183N1SPM-42	Steel shield Left Hand
43	GP183N1SPM-43	Washer
44	GP183N1SPM-44R	Drive Gear Right Hand
44	GP183N1SPM-44L	Drive Gear Left Hand
45	GP183N1SPM-45	Gear Pin
46	GP183N1SPM-46	Rear Axle Bearing
47	GP183N1SPM-47	Bolt M6x75
48	GP183N1SPM-48	Gearbox Bracket
49	GP183N1SPM-49	Self-tap bolt ST4.8x12
50	GP183N1SPM-50	Clutch Cable Holder
51	GP183N1SPM-51	Bolt M6x16
52	GP183N1SPM-52	Spring washer M6
53	GP183N1SPM-53	Gearbox Assembly
54	GP183N1SPM-54	Connecting Link Clip
55	GP183N1SPM-55	Flap Washer 8mm
56	GP183N1SPM-56	Connecting Link

Item No.	Part No.	Description
57	GP183N1SPM-57	Connecting Link Spring
58	GP183N1SPM-58R	Front 7" S/P Wheel Assembly Right Hand
58	GP183N1SPM-58L	Front 7" S/P Wheel Assembly Left Hand
59	GP183N1SPM-59	Front Wheel Axle Assembly
60	GP183N1SPM-60	Axle Bush Left Hand
61	GP183N1SPM-61	Axle Bush Right Hand
62	GP183N1SPM-62	Front Axle Spring Clip
63	GP183N1SPM-63	Blade Bolt
64	GP183N1SPM-64	Blade Bolt Flat Washer
65	GP183N1SPM-65	Blade Bolt Dish Washer
66	GP183N1SPM-66	18" Straight Blade
67	GP183N1SPM-67	Blade Adaptor
68	GP183N1SPM-68	Blade Adaptor Key
69	GP183N1SPM-69	Belt Cover
70	GP183N1SPM-70	Gearbox Cover
71	GP183N1SPM-71	Drive Belt
72	GP183N1SPM-72	Bolt M6x15
73	GP183N1SPM-73	Pulley
74	GP183N1SPM-74	Engine Bolt
75	GP183N1SPM-75	Engine
76	GP183N1SPM-76	Bolt For Handle Plate
77	GP183N1SPM-77	Mulch Plug
78	GP183N1SPM-78	Side Discharge Guide
79	GP183N1SPM-79	Side Discharge Guide Axle
80	GP183N1SPM-80	Side Discharge Guide Spring
81	GP183N1SPM-81	Side Discharge Mount
82	GP183N1SPM-82	Hex bolt M5
83	GP183N1SPM-83	Flap Assembly
84	GP183N1SPM-84	Lock Ring

