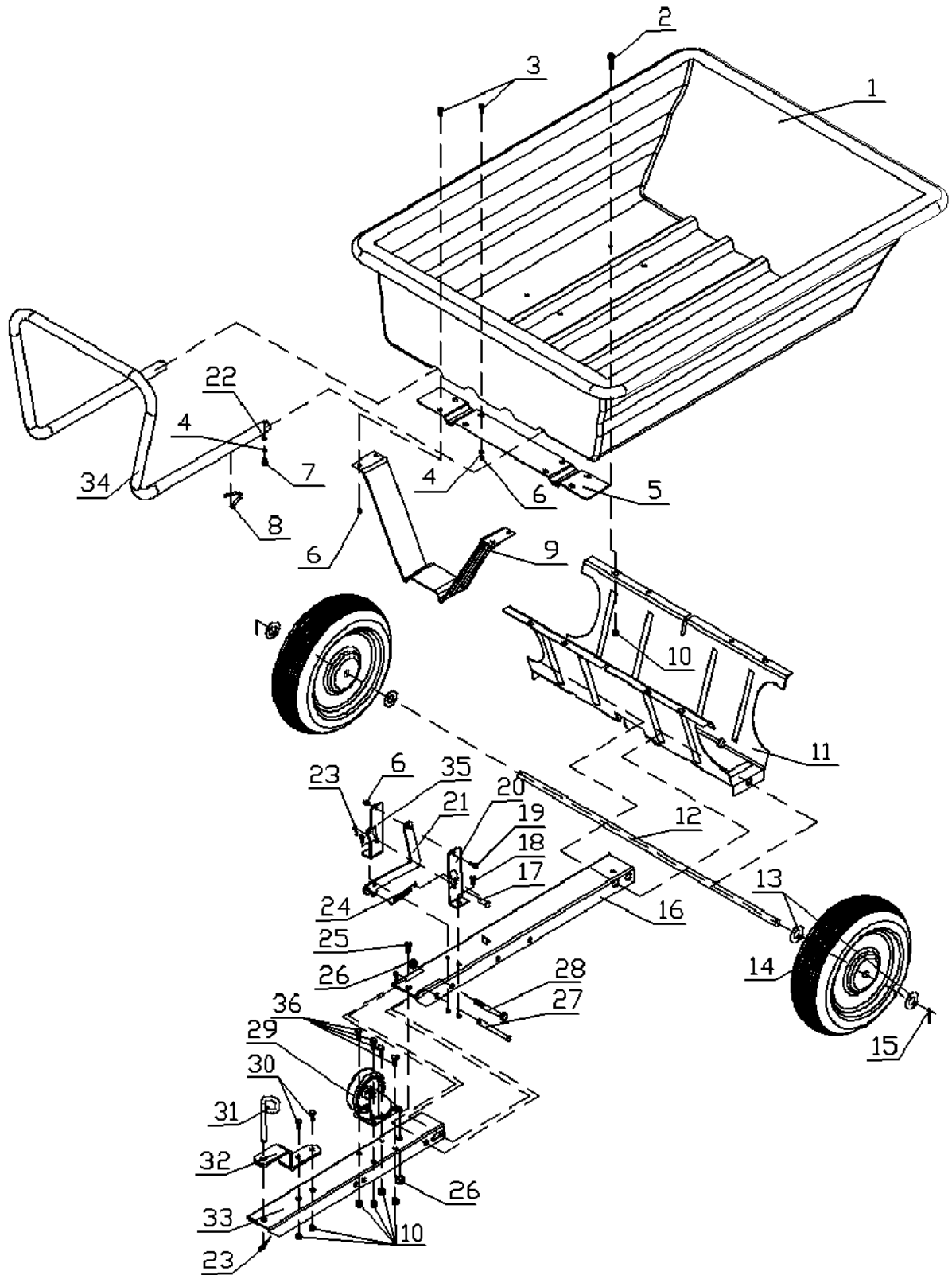


# DRAWING



# PARTS LIST

| PART # | DESCRIPTION           | QTY | PART # | DESCRIPTION         | QTY |
|--------|-----------------------|-----|--------|---------------------|-----|
| 1      | Poly Tray             | 1   | 19     | Hex Bolt M6x20      | 1   |
| 2      | Flat Head Bolt M8x16  | 8   | 20     | Latch Mount Bracket | 2   |
| 3      | Flat Head Bolt M6x16  | 8   | 21     | Latch Lock          | 1   |
| 4      | Flat Washer Ø6        | 6   | 22     | Lock Washer Ø6      | 2   |
| 5      | Latch Stand Plate     | 1   | 23     | R Pin Ø3            | 3   |
| 6      | Lock Nut M6           | 11  | 24     | Extension Spring    | 1   |
| 7      | Flange Screw ST6.3x13 | 2   | 25     | Hex Bolt M10x20     | 1   |
| 8      | Pin                   | 2   | 26     | Lock Nut M10        | 2   |
| 9      | Latch Stand Bracket   | 1   | 27     | Clevis Pin Ø13x98   | 1   |
| 10     | Lock Nut M8           | 12  | 28     | Hex Bolt M10x95     | 1   |
| 11     | Wheel Support         | 1   | 29     | 4" Swivel Caster    | 1   |
| 12     | Axle                  | 1   | 30     | Hex Bolt M8x20      | 4   |
| 13     | Flat Washer Ø16       | 4   | 31     | Hitch Pin           | 1   |
| 14     | Wheel                 | 2   | 32     | Hitch Bracket       | 1   |
| 15     | Cotter Pin Ø3x25      | 2   | 33     | Front Tongue        | 1   |
| 16     | Rear Tongue           | 1   | 34     | Handle              | 1   |
| 17     | Clevis Pin Ø13x28     | 1   | 35     | Latch Mounting      | 1   |
| 18     | Hex Bolt M6x16        | 2   | 36     | Hex Bolt M8X16      | 4   |