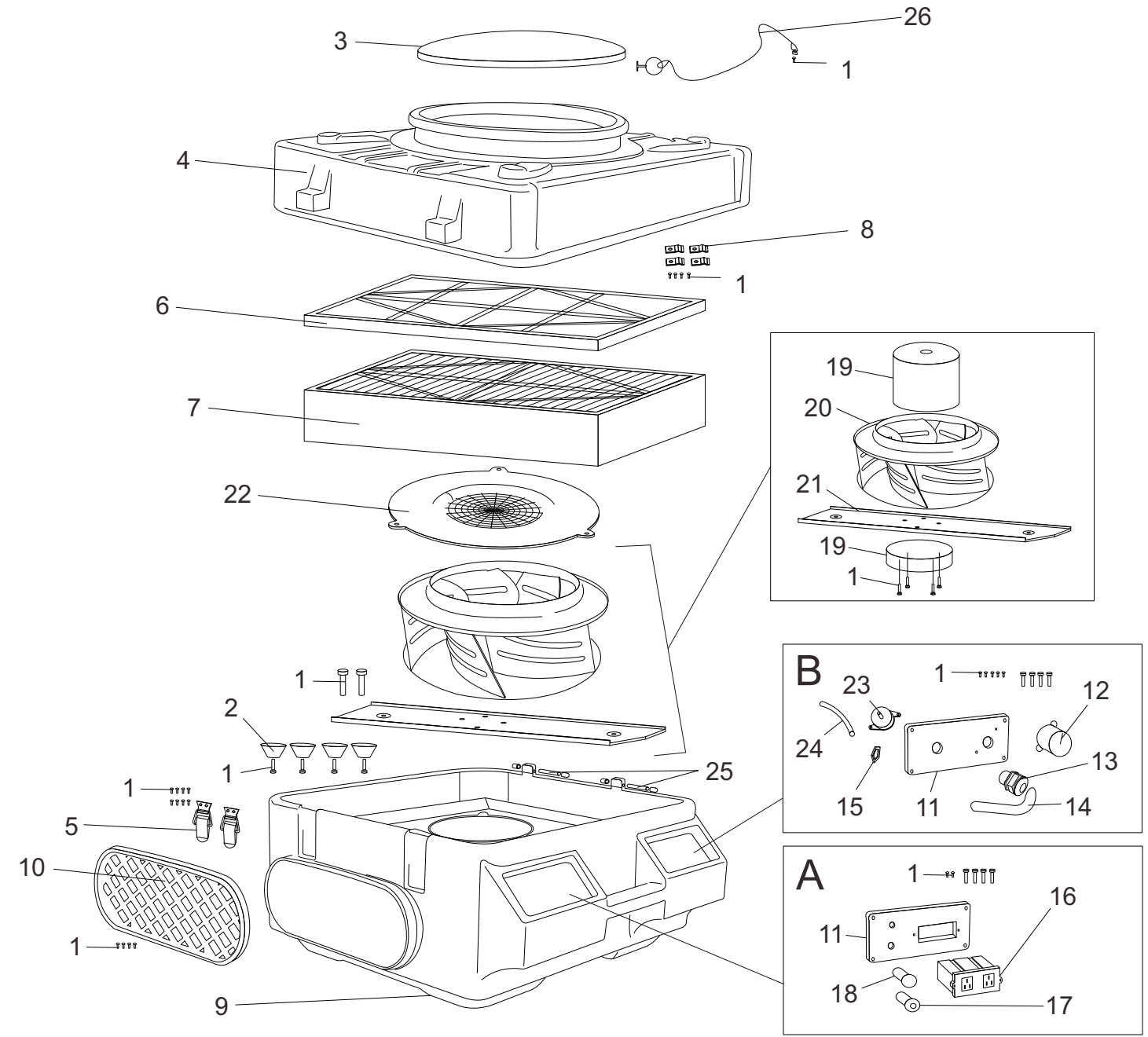


MODEL MAS 13

From Serial Number :



MODEL MAS 13

UNIT 2

PARTS LIST

| Pos. | Code N° | Description |
|------|----------|----------------------------|
| 1 | 4141.210 | SCREW |
| 2 | 4141.211 | RUBBER FOOT |
| 3 | 4141.212 | REMOVABLE FOAM CAP |
| 4 | 4141.213 | UPPER HALF SHELL |
| 5 | 4141.214 | BUCKLE |
| 6 | 4141.215 | PRIMARY EFFICIENCY FILTER |
| 7 | 4141.216 | HIGH EFFICIENCY FILTER |
| 8 | 4141.217 | FIXED BUCKLE |
| 9 | 4141.218 | LOWER HALF SHELL |
| 10 | 4141.219 | LARGER AIR OUTLET |
| 11 | 4141.220 | SWITCH PANEL/GFCI PANEL |
| 12 | 4141.221 | ON/OFF ROCKER SWITCH |
| 13 | 4141.222 | STRAIN RELIEF |
| 14 | 4141.223 | POWER CORD |
| 15 | 4141.224 | NUT |
| 16 | 4141.225 | GFCI OUTLET,FEMALE PLUG |
| 17 | 4141.226 | CIRCUIT BREAKER |
| 18 | 4141.227 | FILTER NET PLUG ALARM LAMP |
| 19 | 4141.228 | AC MOTOR |
| 20 | 4141.229 | FAN BLADE |
| 21 | 4141.230 | FIXED PLATE |
| 22 | 4141.231 | LARGER & WIDER AIR OUTLET |
| 23 | 4141.232 | ON/OFF ROCKER SWITCH |
| 24 | 4141.233 | PRESSURE PROBE |
| 25 | 4141.234 | LOOSE LEAF HINGE |
| 26 | 4141.235 | COVER ROPE |