

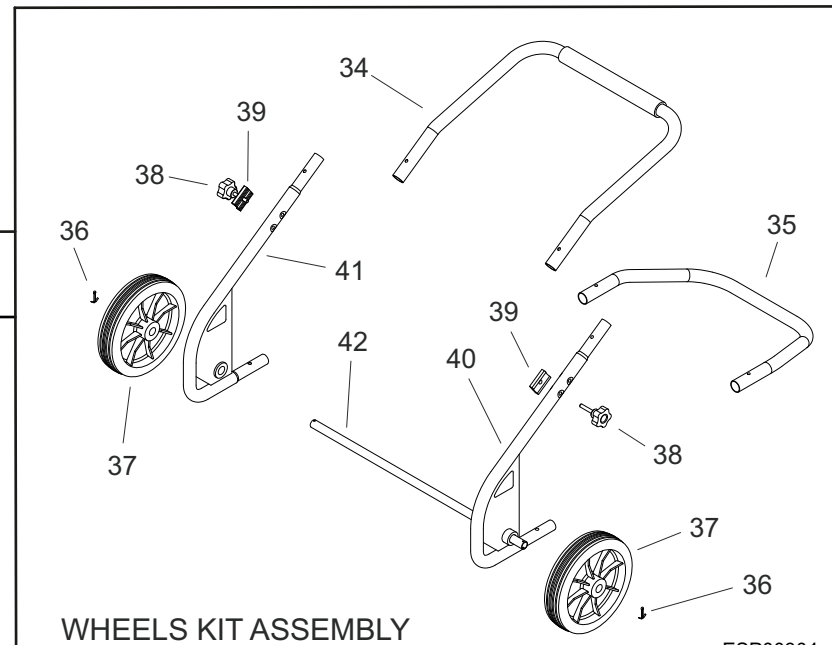
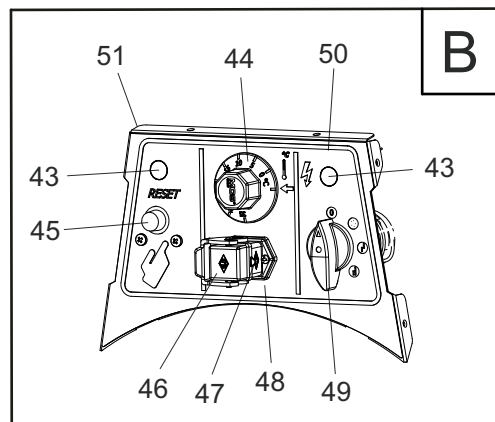
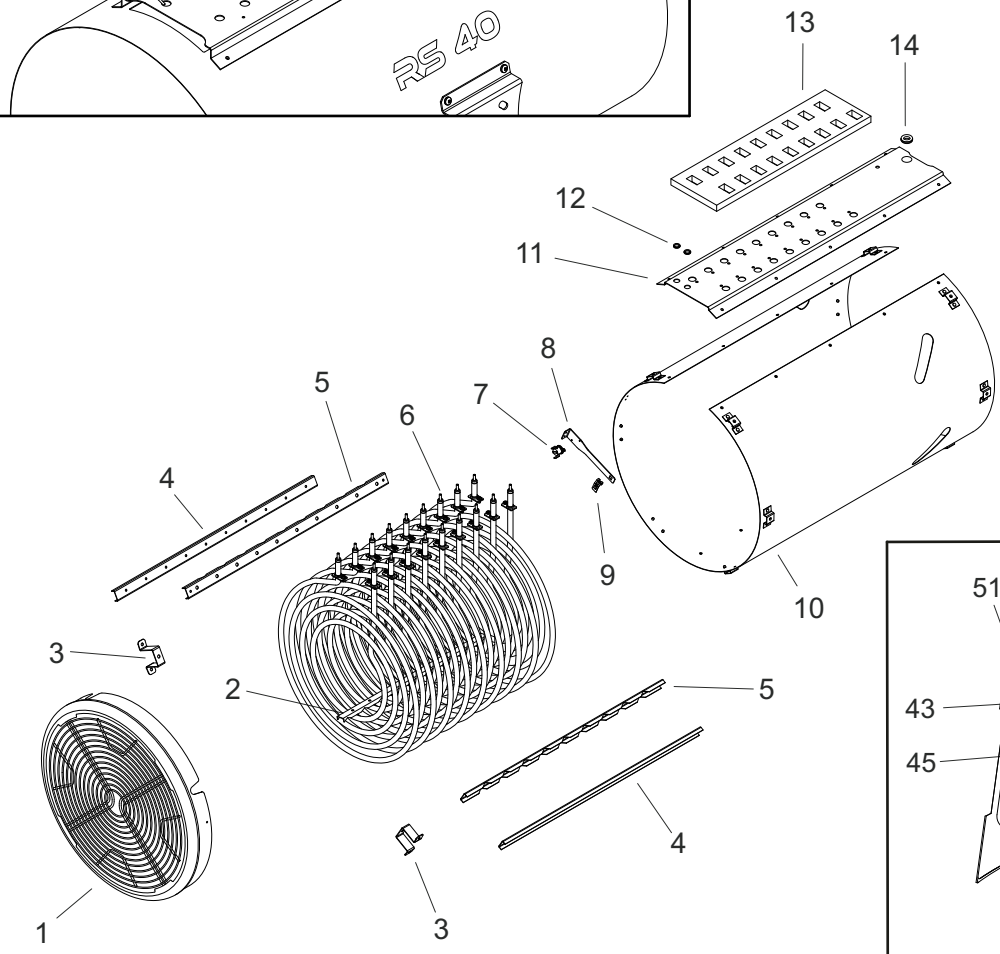
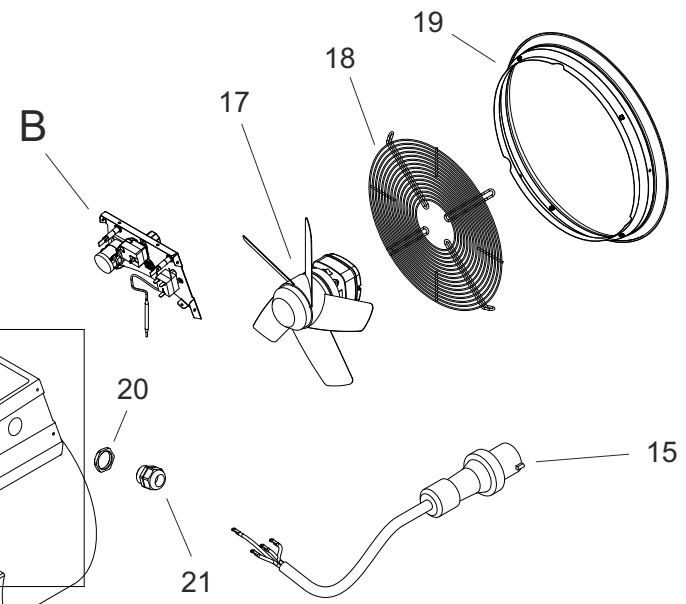
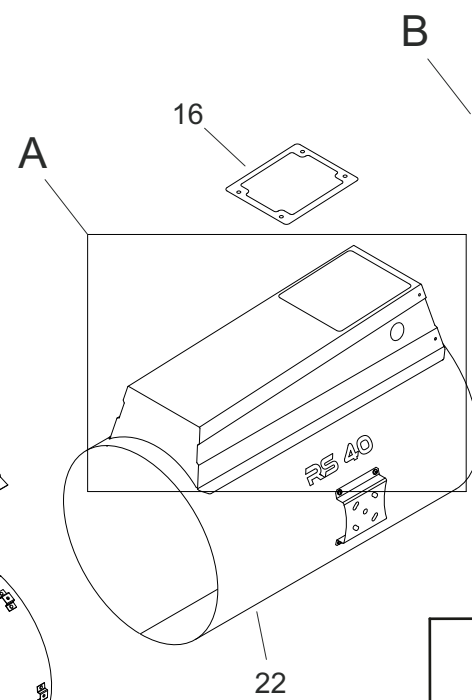
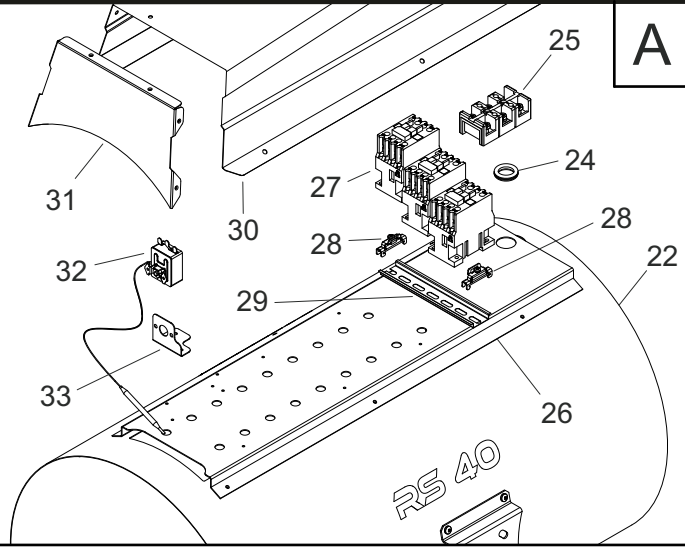
MODEL RS 40

UNIT 1

ILLUSTRATED PARTS BREAKDOWN

Rev.- - Apr. 2014

From Serial Number : 23C3400001



WHEELS KIT ASSEMBLY

ESP00304

MODEL RS 40

UNIT 2

PARTS LIST

POS.	Code NR	Description	Rev. - - Apr. 2014
1	4210.054	ANTERIOR RING	
2	4210.112	RESISTANCE FIXING PROFILE INT.	
3	4210.190	FIXING BRACKET	
4	4210.068	FIXING PROFILE	
5	4210.112	FIXING PROFILE COMB	
6	4260.095	RESISTANCE 4,4 kW	
7	4260.132	AUTOMATIC THERMOSTAT	
8	4210.170	AUTOMATIC THERMOSTAT BRACKET	
9	4260.131	BULB CLIP	
10	4210.043	COMBUSTION CHAMBER	
11	4210.160	RESISTANCES LOWER SUPPORT	
12	4290.136	CABLE FEEDTHROUGH Ø10	
13	4210.012	INSULATING MAT	
14	4290.052	CABLE FEEDTHROUGH Ø18	
15	4210.194	POWER CORD 63A	
16	4210.059	COVER PLATE	
17	4260.139	MOTOR + FAN	
18	4210.152	MOTOR GRILL	
19	4210.151	REAR RING	
20	4290.032	POWER CORD LOCKNUT	
21	4290.089	STRAIN RELIEF BUSHING	
22	4210.002	SHELL	
24	4290.003	CABLE FEEDTHROUGH Ø25	
25	4260.129	TERMINAL BLOCK	
26	4210.003	RESISTANCES UPPER SUPPORT	
27	4260.097	CONTACTOR 18A	
28	4260.175	BLOCK	
29	4290.125	RAIL	
30	4210.055	COVER	
31	4210.034	FRONT PLATE	
32	4260.130	SAFETY THERMOSTAT	
33	4210.076	SAFETY THERMOSTAT BRACKET	
34	4210.115	HANDLE	
35	4210.128	FOOT	
36	4290.167	SPLINT PIN	
37	4260.169	WHEEL	
38	4290.075	KNOB	
39	4210.052	SPACER	
40	4210.120	WHEEL SUPPORT DX	
41	4210.124	WHEEL SUPPORT SX	
42	4210.126	WHEELS AXLE	
43	4260.112	INDICATOR LIGHT	
44	4260.140	THERMOSTAT	
45	4260.111	MANUAL RESET THERMOSTAT	
46	4260.168	CAP	
47	4260.167	SOCKET	
48	4260.166	CONNECTION	
49	4260.174	ROTARY SWITCH	
50	4210.074	PANEL LABEL	
51	4210.035	CONTROL PANEL	

ESP00304