



# PARTS DRAWING



## Master Dual Voltage Direct Oil-Fired Heater

**Product Code:  
B100DV**



Serial Number Range:

From: 05135000724

To:

Year Of Manufacture: 2015

**\*Please note, when ordering online via our website if the part number is not recognised,  
please Email [spares@hscgroupuk.co.uk](mailto:spares@hscgroupuk.co.uk) or Telephone 0115 946 1988**

### KEEP THIS BOOKLET FOR FUTURE REFERENCE

Nottingham: 0115 946 1988 • London: 0208 830 3333 ✉ Nottingham: [sales@hscgroupuk.co.uk](mailto:sales@hscgroupuk.co.uk) • London: [sean@hscgroupuk.co.uk](mailto:sean@hscgroupuk.co.uk) 🌐 [www.hscgroupuk.co.uk](http://www.hscgroupuk.co.uk)

The Hire Supply Company Terms & Conditions Apply At All Time E&OE

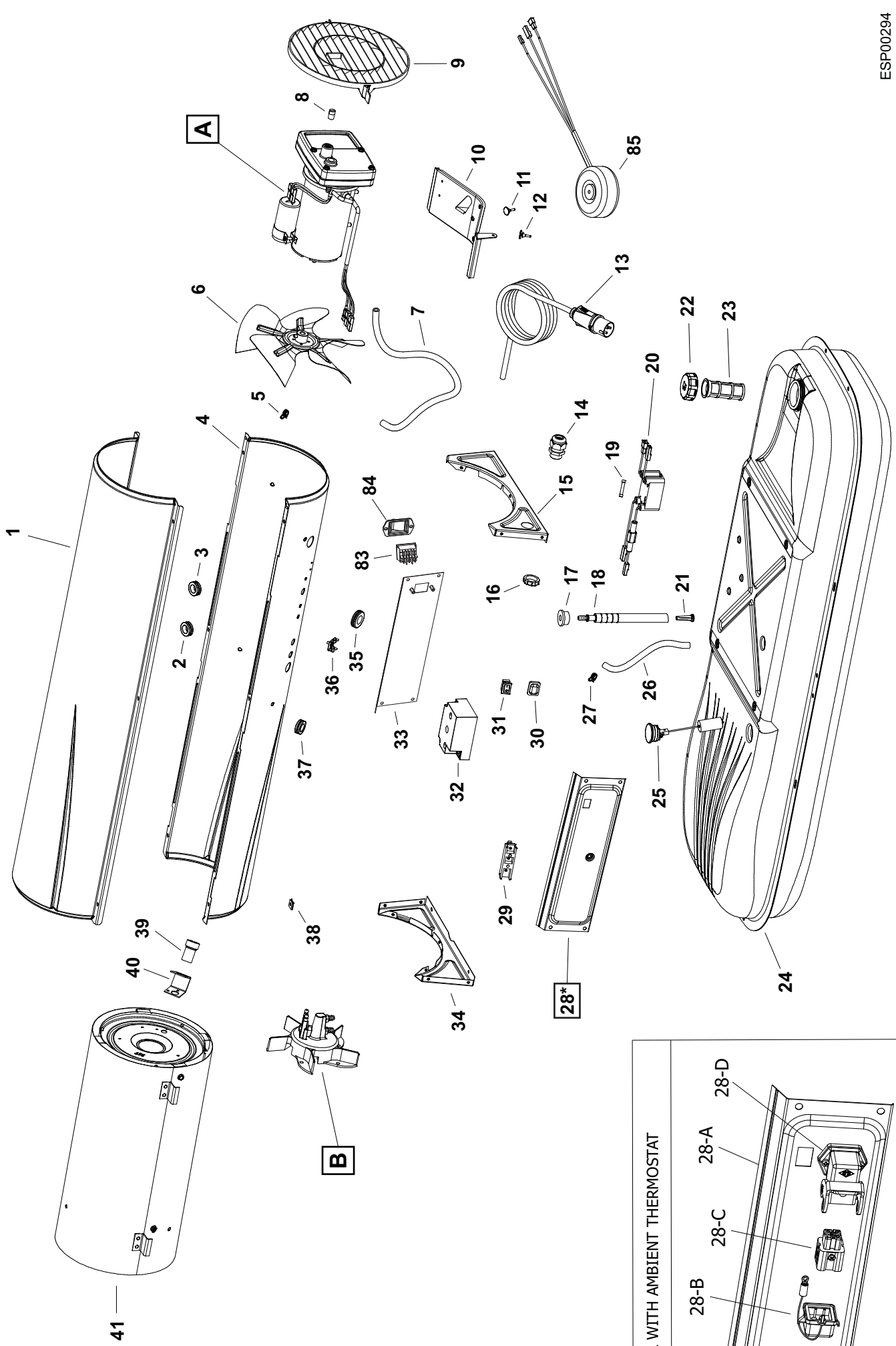
# MODEL B100 CED DUAL VOLTAGE

UNIT 1

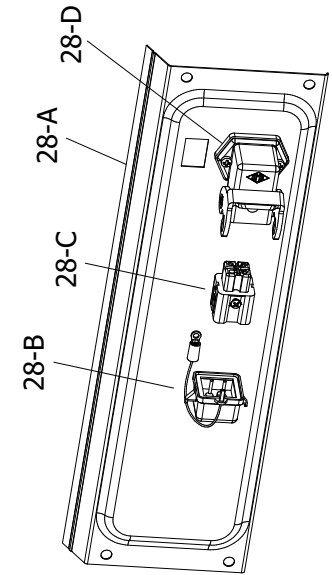
ILLUSTRATED PARTS BREAKDOWN

From Serial Number: 05135000724

Rev.A - Sept. 2015



PANEL WITH AMBIENT THERMOSTAT



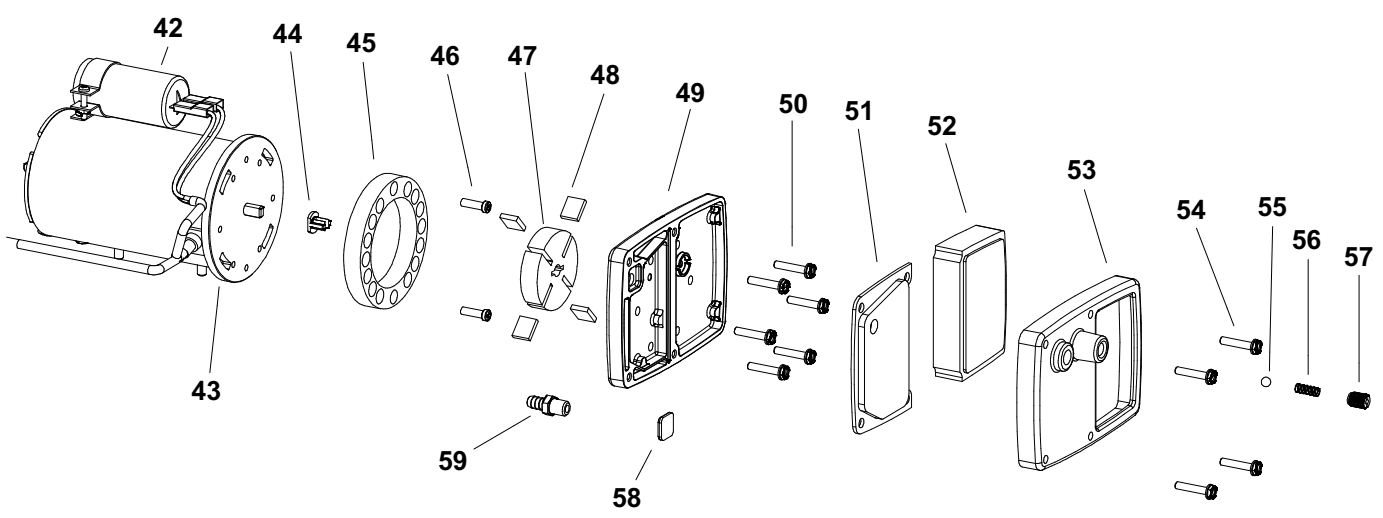
\*

# MODEL B100 CED DUAL VOLTAGE

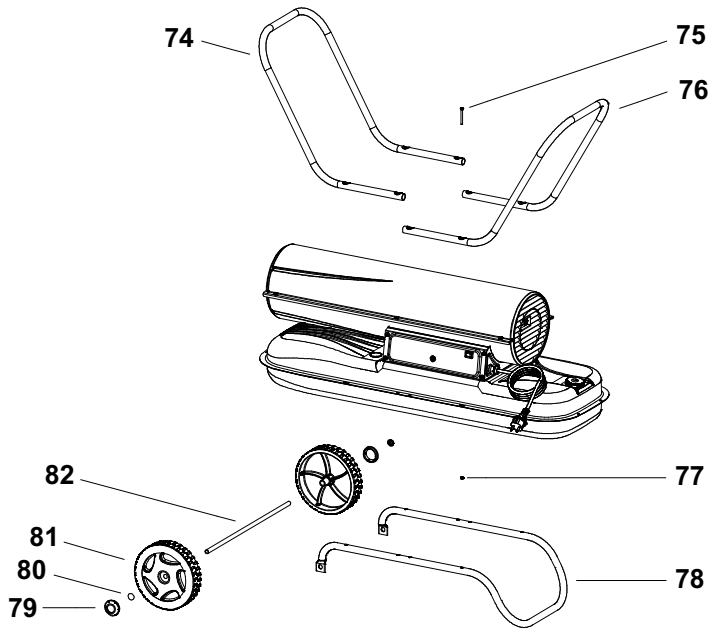
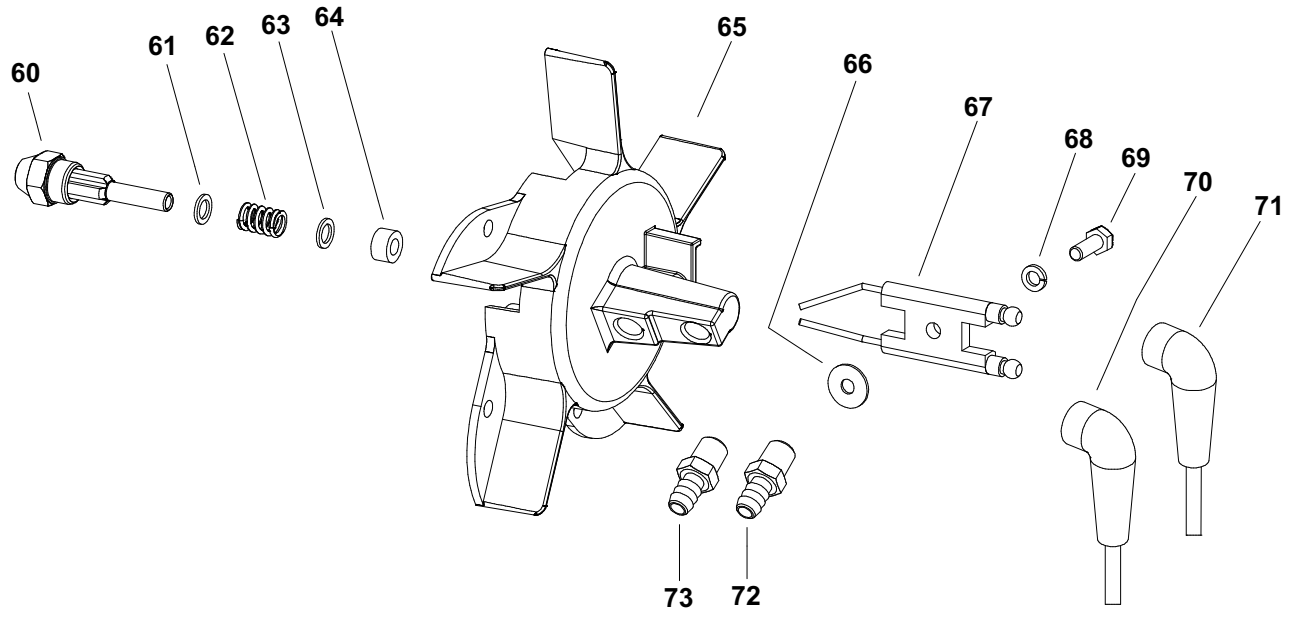
UNIT 2

ILLUSTRATED PARTS BREAKDOWN

A



B



# MODEL B100 CED DUAL VOLTAGE

UNIT 3

PARTS LIST

Pos.	Code NR	Description	Rev.A - Sept. 2015
1	4110.360	UPPER SHELL	
2	4101.151	GROMMET	
3	4101.151	GROMMET	
4	4111.926	LOWER SHELL	
5	4110.159	CLAMP	
6	4110.415	FAN	
7	4104.147	AIR LINE	
8	4102.125	PRESSURE GAUGE CAP	
9	4103.695	FAN GUARD	
10	4110.186	MOTOR BRACKET	
11	4150.553	BUMPER	
12	4150.553	BUMPER	
13	4111.829	POWER CORD UK YELLOW	
14	4150.528	STRAIN RELIEF	
15	4110.353	REAR FRAME BRACKET	
16	4100.656	LOCKNUT	
17	4100.541	RUBBER BUSHING	
18	4110.355	FUEL LINE	
19	4101.864	FUSE	
20	4104.193	FLAME-OUT CONTROL	
21	4110.356	FUEL FILTER	
22	4100.052	FUEL TANK CAP	
23	4290.210	FUEL TANK FILTER	
24	4110.345	FUEL TANK	
25	4260.017	FUEL GAUGE CED	
26	4110.032	FUEL LINE	
27	4110.159	CLAMP	
28	4100.511	LEFT PANEL	
28-A	4100.513	LEFT PANEL FOR AMBIENT THERMOSTAT	
28-B	4162.467	CAP FOR AMBIENT THERMOSTAT	
28-C	4161.400	PLUG 3P+G AMBIENT THERMOSTAT	
28-D	4160.647	SOCKET 90° FOR AMBIENT THERMOSTAT	
29	4106.110	TERMINAL BOARD	
30	4104.336	COVER SWITCH	
31	4106.179	ON/OFF SWITCH	
32	4111.833	ELECTRONIC IGNITOR	Alternative code 4111.885
33	4100.106	RIGHT PANEL	
34	4110.354	FORE FRAME BRACKET	
35	4160.646	GROMMET	
36	4160.639	RIVET POP	
37	4101.151	GROMMET	
38	4104.170	CLIP NUT	
39	4110.364	PHOTOCELL ASSEMBLY	
40	4100.658	PHOTOCELL BRACKET	
41	4110.568	COMBUSTION CHAMBER	
42	4111.855	CAPACITOR	Alternative code 4110.294
43	4111.852	MOTOR 1/4 HP	Alternative code 4110.452
44	4108.635	INSERT	
45	4110.068	PUMP BODY	
46	4110.302	PUMP BODY SCREW	
47	4108.627	ROTOR	
48	4101.200	BLADE	
49	4110.407	PUMP END COVER	
50	4108.528	SCREW/LOCKWASHER	
51	4101.341	OUTPUT FILTER	

# MODEL B100 CED DUAL VOLTAGE

UNIT 4

PARTS LIST

Pos.	Code NR	Description	Rev.A - Sept. 2015
52	4101.358	INTAKE FILTER	
53	4108.643	END COVER	
54	4108.528	SCREW/LOCKWASHER	
55	4108.379	STEEL BALL	
56	4102.141	PRESSURE RELIEF SPRING	
57	4102.133	ADJUSTING SCREW	
58	4101.333	LINT FILTER	
59	4104.118	BARB FITTING	
60	4103.559	NOZZLE	
61	4100.525	WASHER	
62	4100.533	NOZZLE SEAL SPRING	
63	4100.525	WASHER	
64	4101.622	NOZZLE SEAL SLEEVE	
65	4110.361	BURNER HEAD BODY	
66	4110.394	FIBER WASHER	
67	4110.337	ELECTRODE	
68	4110.393	WASHER	
69	4110.363	SCREW	
70	4111.831	ELECTRODE CABLE	
71	4111.831	ELECTRODE CABLE	
72	4104.118	BARB FITTING	
73	4104.118	BARB FITTING	
74	4110.368	HANDLE	
75	4110.518	SCREW	
76	4110.368	HANDLE	
77	4032.703	LOCK NUT	
78	4110.369	WHEEL SUPPORT FRAME	
79	4110.129	CAP NUT	
80	4110.162	WASHER	
81	4110.084	WHEEL	
82	4110.370	AXLE	
83	4100.143	SWITCH DUAL VOLTAGE	
84	4106.233	COVER SWITCH DUAL VOLTAGE	
85	4100.110	AUTOTRANSFORMER	

## RECOMMENDED SPARE PARTS

POS.	Code NR	Description	Rev.A - Sept. 2015
8	4102.125	PRESSURE GAUGE CAP	
20	4104.193	FLAME-OUT CONTROL	
21	4110.356	FUEL FILTER	
23	4290.210	FUEL TANK FILTER	
32	4111.833	ELECTRONIC IGNITOR	Alternative code 4111.885
39	4110.364	PHOTOCELL ASSEMBLY	
42	4111.855	CAPACITOR	Alternative code 4110.294
43	4111.852	MOTOR 1/4 HP	Alternative code 4110.452
47	4108.627	ROTOR	
48	4101.200	BLADE	
51	4101.341	OUTPUT FILTER	
52	4101.358	INTAKE FILTER	
53	4108.643	END COVER	
57	4102.133	ADJUSTING SCREW	
58	4101.333	LINT FILTER	
60	4103.559	NOZZLE	
67	4110.337	ELECTRODE	
70-71	4111.831	ELECTRODE CABLE	



## Recycling



**ENVIRONMENTAL PROTECTION:** Please recycle any unwanted materials as opposed to disposing them as general waste. It is recommended the original is retained and used to store the product when not in use for prolonged periods of time. If this is not applicable ensure the materials are sorted and recycled in accordance with local regulations.



**SPECIFICATION CHANGE:** It is our policy to continually improve products to ensure these meet the rigours of the industry we serve. Therefore, as such we reserve the right to alter specifications, data, components & parts with-out prior notice.

**WARRANTY:** Please refer to the manufactures terms & conditions.

**IMPORTANT:** No liability will be accepted for the incorrect use of this product.

### **KEEP THIS BOOKLET FOR FUTURE REFERENCE**

📞 Nottingham: 0115 946 1988 • London: 0208 830 3333    ✉ Nottingham: [sales@hscgroupuk.co.uk](mailto:sales@hscgroupuk.co.uk) • London: [sean@hscgroupuk.co.uk](mailto:sean@hscgroupuk.co.uk)    🌐 [www.hscgroupuk.co.uk](http://www.hscgroupuk.co.uk)

The Hire Supply Company Terms & Conditions Apply At All Time E&OE