



PARTS DRAWING

MASTER
CLIMATE SOLUTIONS

Master 18kw 3 Phase Fan Heater

**Product Code:
B18EPR**



Serial Number Range:

From:

To:

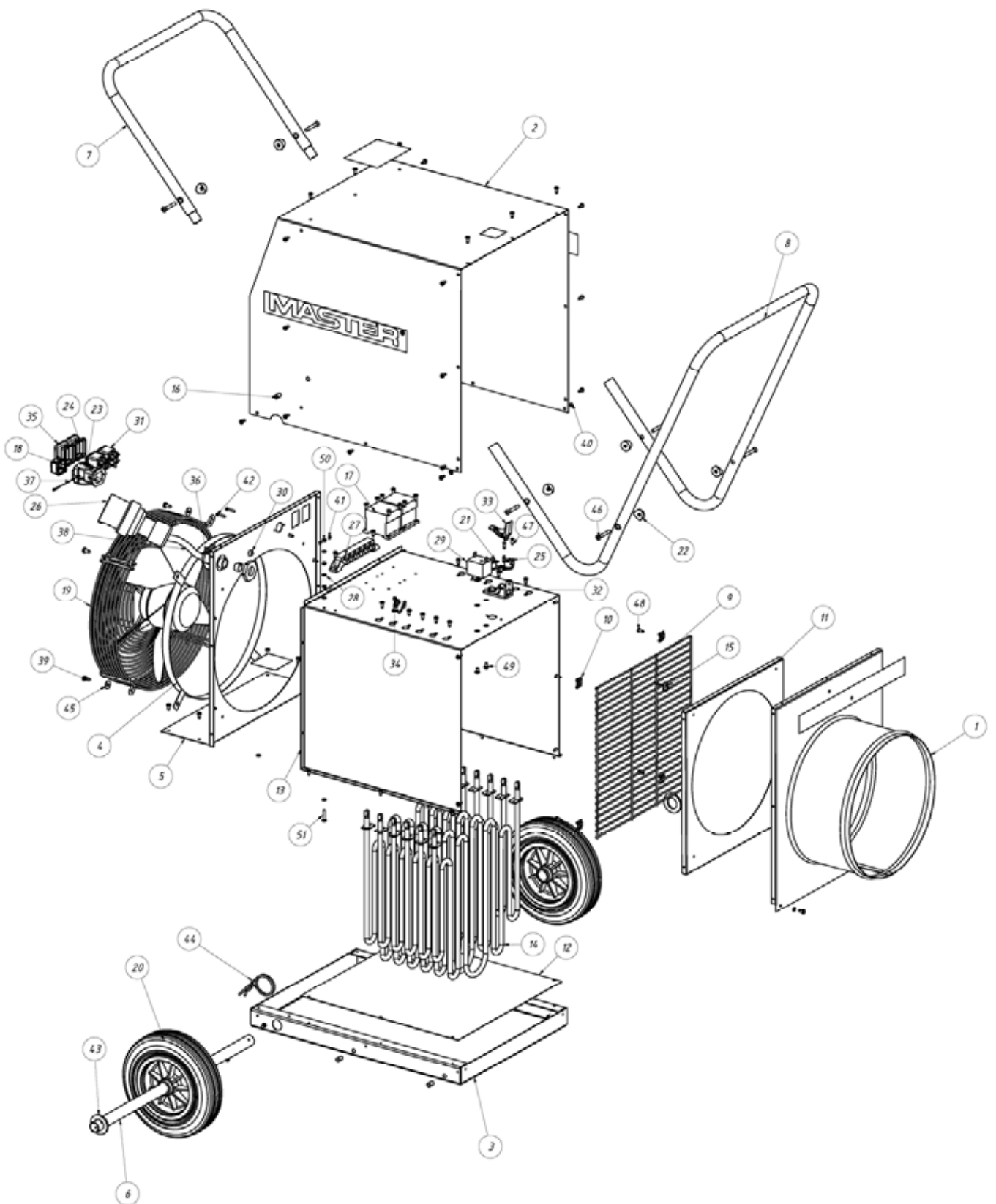
Year Of Manufacture: 2010

***Please note, when ordering online via our website if the part number is not recognised, please Email spares@hscgroupuk.co.uk or Telephone 0115 946 1988**

KEEP THIS BOOKLET FOR FUTURE REFERENCE

Nottingham: 0115 946 1988 • London: 0208 830 3333 ✉ Nottingham: sales@hscgroupuk.co.uk • London: sean@hscgroupuk.co.uk 🌐 www.hscgroupuk.co.uk

The Hire Supply Company Terms & Conditions Apply At All Time E&OE



MASTER ELECTRIC HEATERS B 18 EPR

Pos.	Description	Code	Qty.
1	FRONT COVER	S/R	1
2	TOP COVER	S/R	1
3	DOWN COVER	S/R	1
4	FLANGE B 18 EPR	S/R	1
5	BACK COVER	S/R	1
6	WHEEL AXLE	4511.207	1
7	BACK PIPE HANDLE	4511.208	1
8	FRONT PIPE HANDLE	4511.209	1
9	GRILL	4511.215	1
10	WASHER FIXING	4510.140	4
11	FRONT HEAT COVER	S/R	1
12	DOWN HEAT COVER	S/R	1
13	HEAT COVER	S/R	1
14	HEATING ELEMENT 3000W/230V	4510.372	6
15	BAND CLIP	4510.846	1
16	STEEL RIVED NUT	4514.824	6
17	CONTACTOR 4KW 400V	4514.416	2
18	CAP FOR THERMOSTAT SOCKET	4162.467	1
19	MOTOR WITH ACCESSORIES 70/145W 230V	4510.319	1
20	WHEEL 200 MM	4513.604	2
21	THERMAL CUT-OUT WITH MANUAL RESET	4510.435	1
22	SADDLE WASHER 19	4513.633	6
23	SOCKET CASE	4514.611	1
24	SWICH COVER 1K	4513.411	2
25	OVERHEAT SENSOR 16A/250V 60OC/NO	4510.404	1
26	PLUG PANEL MOUNTED 32A/400V	4510.447	1
27	SCREW TEWRMINAL BLOCK	4510.414	1
28	SPRING LOCK WASHERS	4510.810	3
29	CAPILLARY THERMOSTAT 16A/250V	4510.446	1
30	STRAIN RELIEF BUSHING	4510.624	1
31	LOAD SWITCH 230V/16A-2K-RED	4510.448	2
32	BASE FOR RESET LEVER	4510.611	1
33	RESET LEVER	4510.612	1
34	BELT	4510.608	13
35	SWITCH FRAME 1K	4513.410	2
36	GLAND	4511.620	1
37	PLUG 3P+PE	4514.406	1
38	SUPPLY CORD WITH PLUG	4510.445	1
39	TAPPING SCREW ST4.8X9.5	4510.821	4
40	TOOTHED LOCK WASHER	4510.811	10
41	NUT M3	4513.807	2
42	SCREW M3X16	4513.802	2
43	WASHER PN	4510.843	2
44	COTTER PIN	4510.842	1
45	PLAIN WASHER	4510.839	4
46	SHEET-METAL SCREW	4510.841	6
47	SHEET-METAL SCREW	4510.841	2
48	TAPPING SCREW ST3.9X9.5	4510.802	75
49	SCREW M4X8	4510.814	2
50	HEXAGON NUTS M4	4510.808	3
51	SCREW M4X20	4510.804	1

S/R = Parts Available On Special Request Only



Recycling



ENVIRONMENTAL PROTECTION: Please recycle any unwanted materials as opposed to disposing them as general waste. It is recommended the original is retained and used to store the product when not in use for prolonged periods of time. If this is not applicable ensure the materials are sorted and recycled in accordance with local regulations.



SPECIFICATION CHANGE: It is our policy to continually improve products to ensure these meet the rigours of the industry we serve. Therefore, as such we reserve the right to alter specifications, data, components & parts with-out prior notice.

WARRANTY: Please refer to the manufactures terms & conditions.

IMPORTANT: No liability will be accepted for the incorrect use of this product.

KEEP THIS BOOKLET FOR FUTURE REFERENCE

📞 Nottingham: 0115 946 1988 • London: 0208 830 3333 ✉ Nottingham: sales@hscgroupuk.co.uk • London: sean@hscgroupuk.co.uk 🌐 www.hscgroupuk.co.uk

The Hire Supply Company Terms & Conditions Apply At All Time E&OE