



PARTS DRAWING

MCE MASTER
CLIMATE SOLUTIONS

**Master 240v Direct
Oil-Fired Heater HP**

**Product Code:
B230240**



Serial Number Range:

From: 09233000649

To:

Year Of Manufacture: 2013

***Please note, when ordering online via our website if the part number is not recognised,
please Email spares@hscgroupuk.co.uk or Telephone 0115 946 1988**

KEEP THIS BOOKLET FOR FUTURE REFERENCE

Nottingham: 0115 946 1988 • London: 0208 830 3333 ✉ Nottingham: sales@hscgroupuk.co.uk • London: sean@hscgroupuk.co.uk 🌐 www.hscgroupuk.co.uk

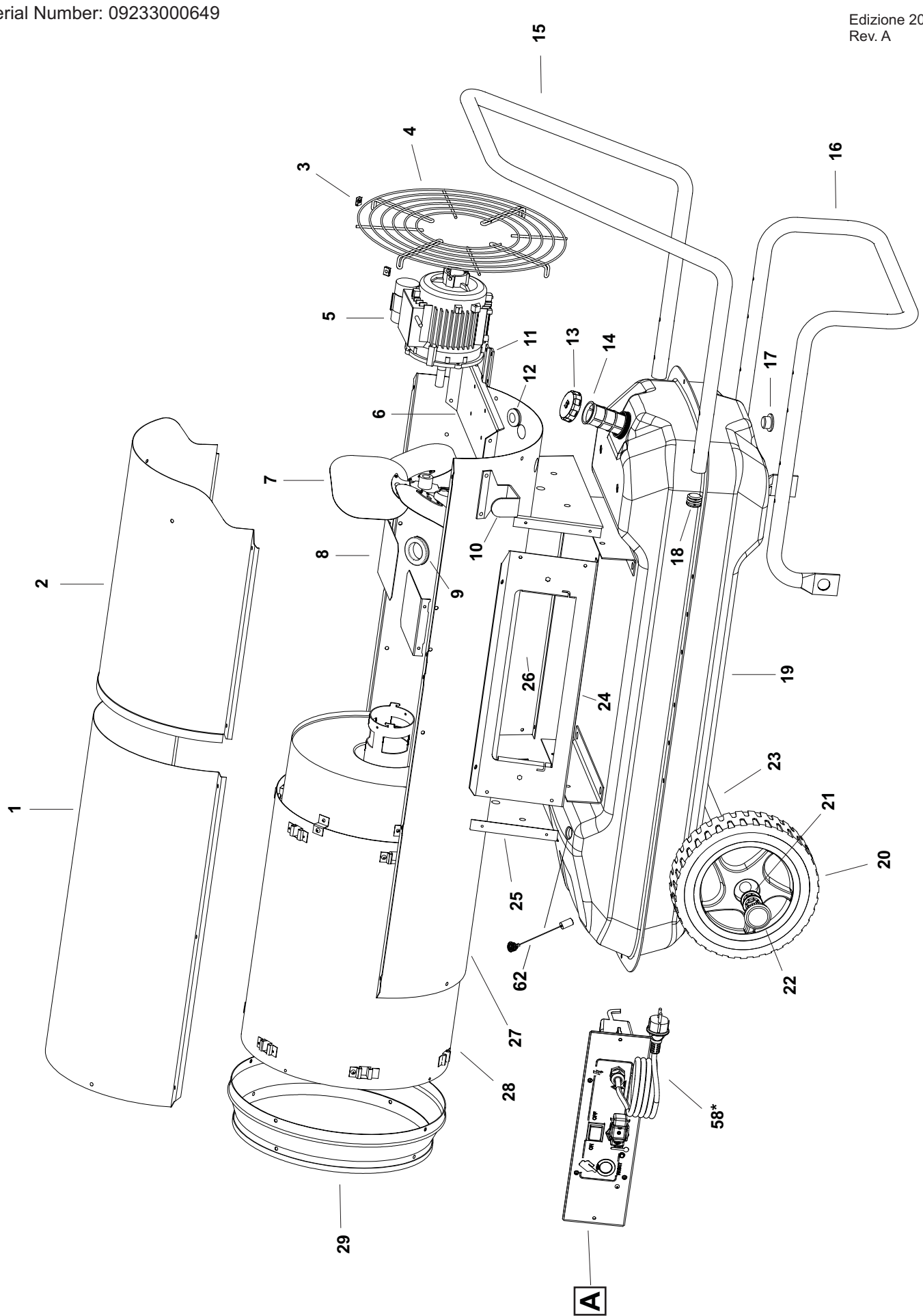
The Hire Supply Company Terms & Conditions Apply At All Time E&OE

B 230 MODEL 2013

UNIT 1

ILLUSTRATED PARTS BREAKDOWN

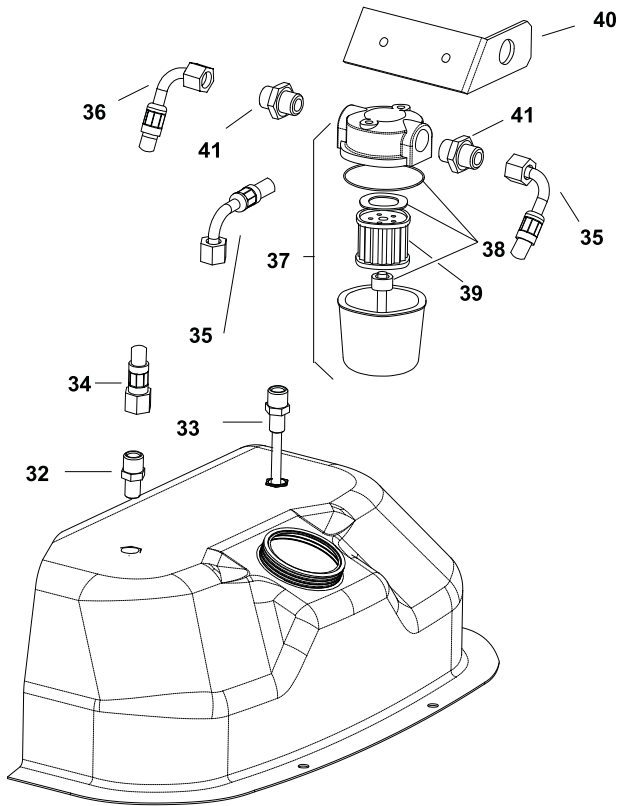
Edizione 2013
Rev. A



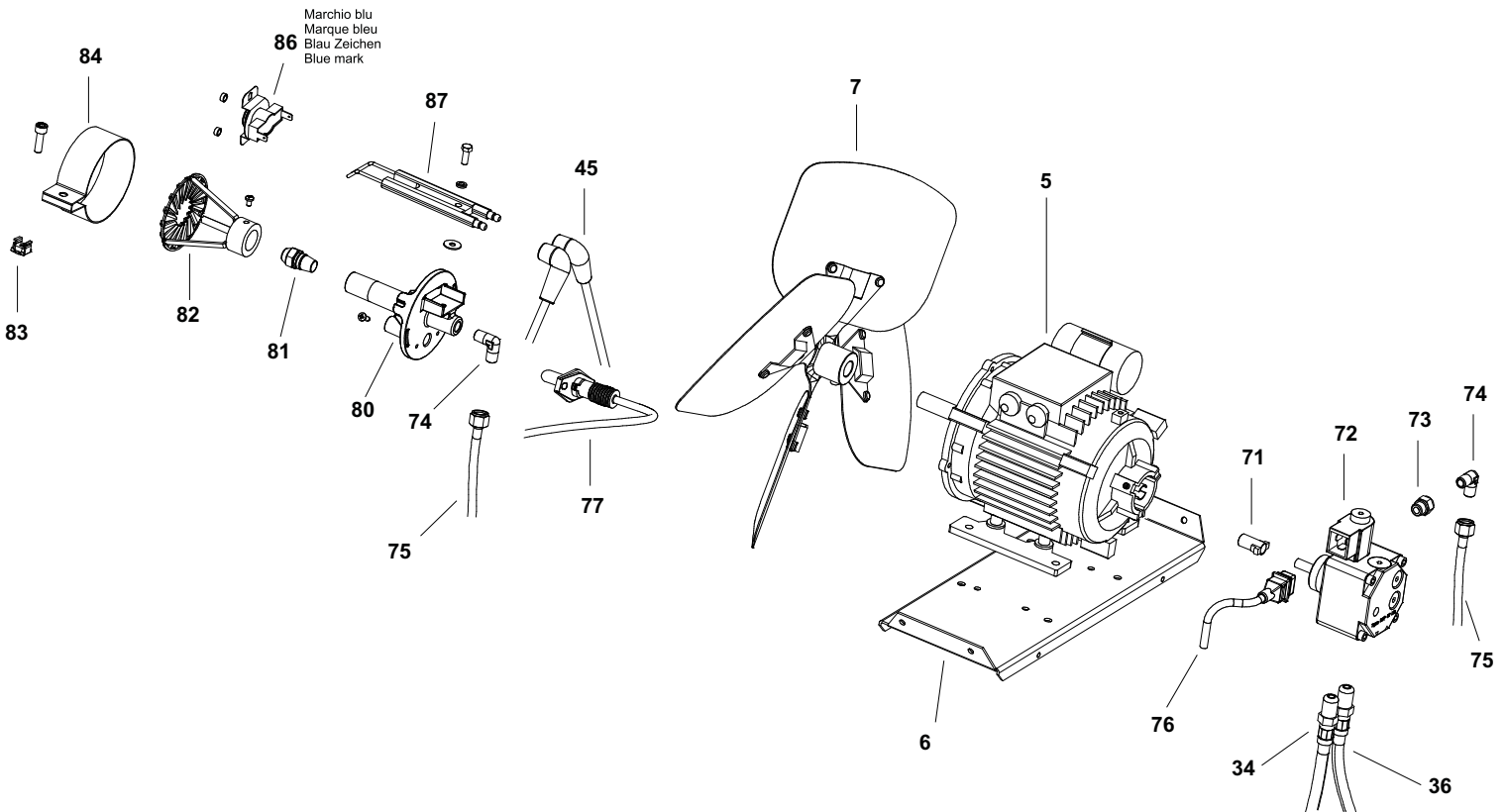
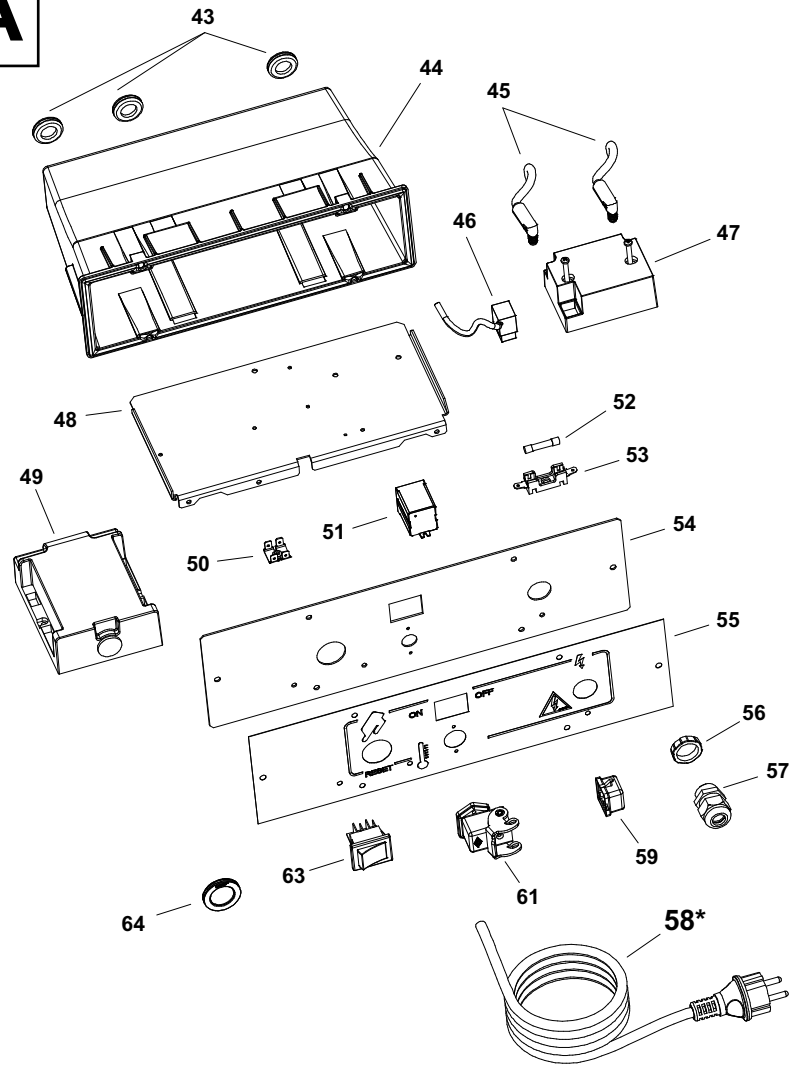
B 230 MODEL 2013

UNIT 2

ILLUSTRATED PARTS BREAKDOWN



A



| Pos. | Code NR | Description |
|-------------|----------------|---------------------------------|
| 1 | 4111.623 | UPPER BODY |
| 2 | 4032.548 | UPPER BODY MOBILE |
| 3 | 4111.241 | ELASTIC PLATE |
| 4 | 4032.557 | INLET GRILLE |
| 5 | 4032.702 | MOTOR |
| 6 | 4032.555 | MOTOR FLANGE SUPPORT |
| 7 | 4111.689 | FAN |
| 8 | 4032.554 | AIR FLAP |
| 9 | 4111.056 | PROTECTION CABLE |
| 10 | 4032.536 | POWER CORD HOOK |
| 11 | 4032.519 | MOTOR FLANGE |
| 12 | 4160.646 | PROTECTION CABLE |
| 13 | 4260.100 | TANK CAP |
| 14 | 4290.083 | TANK FILTER |
| 15 | 4032.568 | HANDLE FRAME |
| 16 | 4032.564 | WHEEL FRAME |
| 17 | 4100.632 | DRAIN PLUG |
| 18 | 4111.057 | PLUG |
| 19 | 4033.242 | FUEL TANK |
| 20 | 4032.094 | WHEEL |
| 21 | 4111.072 | WHEEL PLUG |
| 22 | 4111.480 | WHEEL HOLDER |
| 23 | 4032.566 | AXLE |
| 24 | 4032.558 | ELECTR. COMPONENTS DRAWER PANEL |
| 25 | 4033.095 | BASE |
| 26 | 4032.560 | SIDE PANEL |
| 27 | 4111.625 | LOWER BODY |
| 28 | 4033.194 | COMBUSTION CHAMBER |
| 29 | 4031.659 | OUTLET CONE |
| 32 | 4031.068 | NIPPLES |
| 33 | 4031.067 | PIPE CONNECTION 1/4" |
| 34 | 4031.062 | FUEL PIPE PUMP-TANK |
| 35 | 4031.063 | FUEL PIPE TANK-FILTER |
| 36 | 4031.061 | FUEL PIPE FILTER-PUMP |
| 37 | 4031.070 | FILTER WITH CARTIDGE 3/8" |
| 38 | 4111.116 | OR KIT FILTER |
| 39 | 4031.015 | FILTER CARTIDGE |
| 40 | 4032.437 | FILTER SUPPORT |
| 41 | 4031.064 | DOUBLE SCREW |

| Pos. | Code NR | Description |
|-------------|----------------|---------------------------|
| 43 | 4162.500 | PROTECTION CABLE |
| 44 | 4033.257 | PLASTIX BOX |
| 45 | 4110.490 | HT CABLE |
| 46 | 4033.256 | TRANSFORMER POWER CORD |
| 47 | 4031.541 | TRANSFORMER |
| 48 | 4033.249 | CONTROL BASE |
| 49 | 4033.250 | CONTROL BOX |
| 50 | 4160.639 | POP RIVET 4 WAY |
| 51 | 4111.032 | RELAY |
| 52 | 4111.040 | FUSE |
| 53 | 4033.301 | FUSE HOLDER |
| 54 | 4033.248 | FRONTAL CONTROLS PANEL |
| 55 | 4033.254 | PANEL LABEL |
| 56 | 4100.656 | LOCKNUT |
| 57 | 4150.528 | STRAIN RELIEF BUSHING |
| 58 | 4033.253 | POWER CORD SCHUKO |
| 58-A | 4033.252 | POWER CORD NEW ZEALAND |
| 58-B | 4033.302 | POWER CORD UK |
| 59 | 4162.467 | CAP FOR THERMOSTAT SOCKET |
| 61 | 4111.119 | THERMOSTAT SOCKET |
| 62 | 4260.105 | FUEL GAUGE |
| 63 | 4165.204 | ROCKER SWITCH |
| 64 | 4033.251 | BOARD BUTTON CAP |
| 71 | 4111.081 | COUPLING |
| 72 | 4033.314 | PUMP |
| 73 | 4161.501 | CONN. STRAIGHT 1/8" |
| 74 | 4033.198 | ELBOW 1/8" |
| 75 | 4033.186 | OIL SUPPLY PIPE |
| 76 | 4033.087 | PUMP POWER CORD |
| 77 | 4033.246 | PHOTOCELL |
| 80 | 4111.822 | BURNER FLANGE |
| 81 | 4031.027 | NOZZLE |
| 82 | 4033.071 | TURBO DISC |
| 83 | 4032.454 | M6 NUT |
| 84 | 4032.545 | AIR REGULATION FLAP |
| 86 | 4031.047 | LIMIT THERMOSTAT |
| 87 | 4111.826 | ELECTRODE |



Recycling



ENVIRONMENTAL PROTECTION: Please recycle any unwanted materials as opposed to disposing them as general waste. It is recommended the original is retained and used to store the product when not in use for prolonged periods of time. If this is not applicable ensure the materials are sorted and recycled in accordance with local regulations.



SPECIFICATION CHANGE: It is our policy to continually improve products to ensure these meet the rigours of the industry we serve. Therefore, as such we reserve the right to alter specifications, data, components & parts with-out prior notice.

WARRANTY: Please refer to the manufactures terms & conditions.

IMPORTANT: No liability will be accepted for the incorrect use of this product.

KEEP THIS BOOKLET FOR FUTURE REFERENCE

📞 Nottingham: 0115 946 1988 • London: 0208 830 3333 ✉ Nottingham: sales@hscgroupuk.co.uk • London: sean@hscgroupuk.co.uk 🌐 www.hscgroupuk.co.uk

The Hire Supply Company Terms & Conditions Apply At All Time E&OE