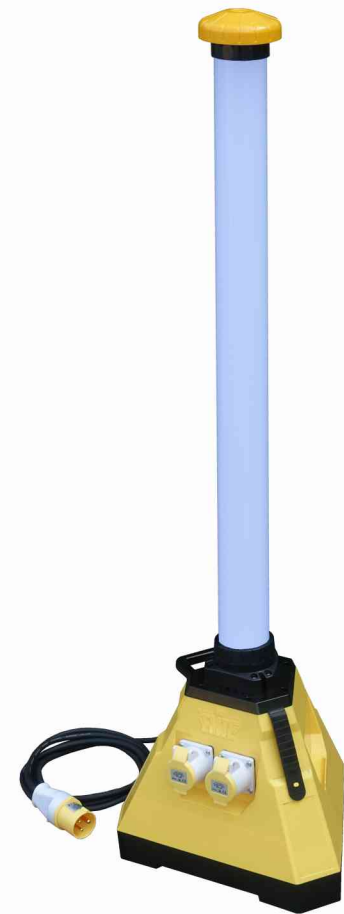




DELTA LIGHT DL36 LED WORKLIGHT



USER MANUAL

IMPORTANT

It is essential that you read the instructions contained in this user manual before use. Failure to follow these instructions may result in damage to the product, property or cause personal injury. This user manual should be retained for future reference.

Thank you for buying the Elite Delta Light. We hope it provides you with many years of trouble-free, safe and reliable service.

IMPORTANT NOTE

Before using this DL36 please read this user manual, if you do not understand any of the instructions within please do not use and consult your retailer or the manufacturer for clarification. Please keep this user manual for your future reference.

PRODUCT USAGE

The DL36 is a portable 36-watt LED work light designed for use on the work site, in workshops, garages or other temporary lighting applications. The DL36 is supplied in 110V 16A IEC60309 plug and socket formats for temporary industrial applications.

MAIN CONSTRUCTION

Semi-transparent diffuser manufactured from impact resistant PC providing glare free use and durability. Long life SMD LED strips for reduced power consumption and minimal heat-easy to handle and quick to store after use. Power cable manufactured from heavy duty VDE approved H07 RNF rubber cable and industrial IEC60309 plug.

GENERAL SAFETY

- Always check that the voltage displayed on the products rating label is the same as the mains power source.
- Never use an electrical appliance in the rain, in wet areas or with wet hands, using electrical appliance under these conditions greatly increases the possibility of electric shock.
- Prior to operation, inspect the product for any damage. If damage is noted remove from service and complete remedial repairs. Any part that is damaged, including the casing, cable, or plug, should be repaired, or replaced by a competent person and tested for electrical safety BEFORE the product is returned to service.
- Please ensure that you read these instructions before using the product, and that all the safety guidelines are understood. Please keep these instructions for future reference.
- Ensure you are aware of all the safety requirements and the product is suitable for the task you wish to undertake.
- Protect power cord from contact with sharp objects, chemicals, or hot surfaces.
- Do Not move the product by pulling on power cord.
- Do Not remove plug from mains supply by pulling on power cord.
- Ensure the cable is positioned to avoid presenting a trip hazard and preventing damage. Do not run cable across walkways. Once the cables have been safely routed secure in position.

2

- Do not exceed the maximum working loads stated on the unit. Refer to the information printed on the rating label or the specifications within these user instructions for details.
- Always disconnect the equipment from the power supply before cleaning, making adjustment or when the product is not in use.
- Always use an RCD or power the product from mains supply with built in RCD protection.
- Always ensure the that the unit has cooled completely before storing or transporting.
- Ensure the mains power cable is fully unwound before and during use.
- If the external flexible cable or cord of the luminaire is damaged, it shall be exclusively replaced by the manufacturer or his service agent or a similar qualified person to avoid potential hazard.

PRODUCT SAFETY

- DL36 should only be used by a competent person who has read and understood this user manual. If in doubt, please refer to the reseller or the manufacturer.
- DL36 must not be modified in any way. Alterations of any description will invalidate the product warranty and technical approvals.
- DL36 must only be used for its intended purpose.
- Never use DL36 if you are ill, feeling tired, or under the influence of alcohol or drugs.
- Do not work near flammable gases or liquids.
- This DL36 is NOT for use in explosive atmospheres.
- Keep DL36 dry wherever possible.
- Never leave the unit in use without supervision.
- Do not use if the unit of the power cord appears to be damaged
- Do not place the unit near a source of heat.

SET UP

Please comply with the specified electrical requirements. The power supply of this Elite Delta Light is shown on the external packaging and the rating plate on the product. The rating plate can be found on the base section of the product. The power supply can also be determined by the plug and panel sockets affixed to the product. Check supply requirements before connecting to the supply.

The LED DL36 also features power outlets that can be used to link a maximum of 15 units from a suitable single power supply together or as convenient power source for use with a power tool. Please note the total load applied should not exceed the following:

Maximum power outlet load 1500W.

Ensure a suitably rated power supply is used and consider all other power consumptions within the circuit before applying loads to the outlets.

3

CLEANING

All exterior surfaces of the DL36 can be wiped clean with a soft damp cloth using a soap and water solution. Do not immerse or submerge any part of the DL36 in water or any liquid. Never use solvents or cleaning agents containing petroleum (petrol, kerosene, oil), paint thinner, turpentine, alcohol, or ammonia. Harsh chemicals such as these can damage surfaces.

MAINTENANCE

All repairs should only be carried out by qualified service personnel or a competent person.

Do not open exterior casing of the light, as there are no user serviceable parts inside. Opening or visible attempts to open or repair a light will void any guarantee and may cause damage to the product or cause personal injury.

Only Genuine Elite spares should be used.

If you have a problem with your unit please return it to the outlet from where you purchased it, ensuring that you have full details of your product as described on the rating label. Should it be necessary for repairs to be undertaken, it is important to provide a suitable qualified repairer with the complete unit. Should you require service under the terms of our guarantee you will need to present proof of purchase prior to works being undertaken.

Note: Service repairers act on their own behalf and are not empowered to commit or legally bind The Hire Supply Company, in any manner whatsoever

TESTING

Elite Delta Light contains sensitive electronics to operate the LEDs. It is therefore recommended not to conduct Flash testing or Hi Pot testing during periodic portable appliance testing as stated in the Code of Practice for in-service inspection and testing of electrical equipment, commonly referred as PAT testing. We would recommend either a reduced voltage insulation test or protective conductor/ touch current measurement test to prevent damage and premature product failure. Failure to comply with our testing recommendations will invalidate the product warranty.

4

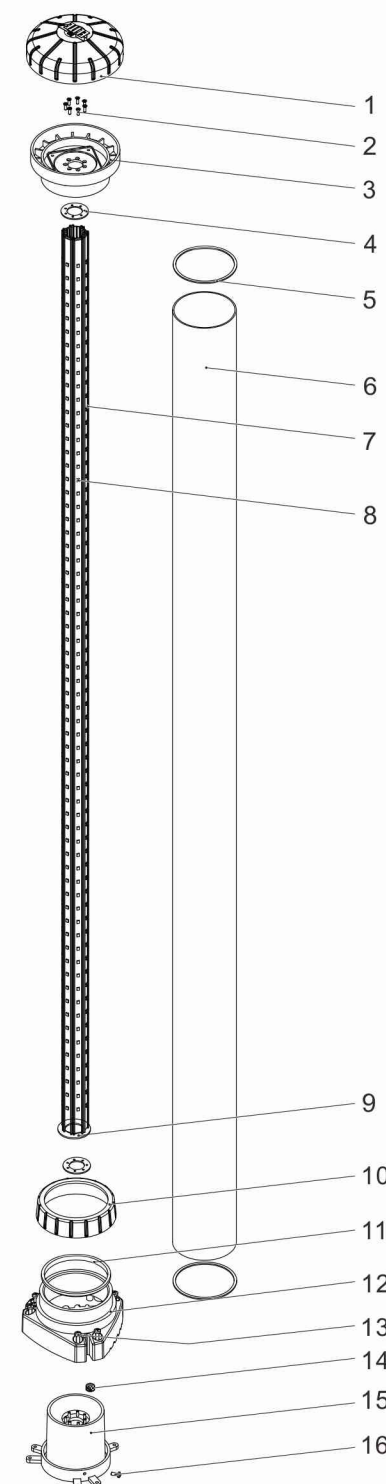
SPECIFICATIONS:

Item No	DL36
Input Voltage	AC 110Volt 50Hz
Rated Power	36Watt
Classification	Class I
Height	1200mm
Width	378mm
Depth	330mm
Lumens	3600LM
Colour Temperature	6400K
Beam Angle	360deg
LED lifetime	30,000hrs
Ambient Temperature	-10°C ~ +40°C
Power Cable	H07RN-F 3x1.5mm ² x 2.7Mtr Fitted with 110V 16A Plug IEC60309
IP Rating	IP44
Maximum Power Outlet Load	1500 Watt*
Maximum Lamp Linking	15**

* Ensure a suitably rated power supply is used and consider all other power consumptions within the circuit before applying loads to the outlets.

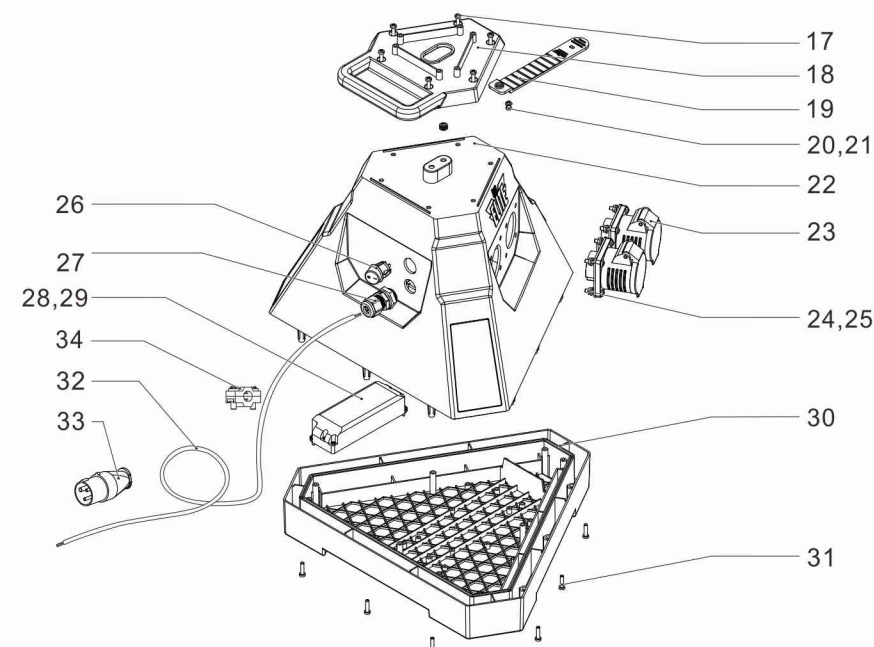
** Calculation based on linking other Elite DL36 lights

5



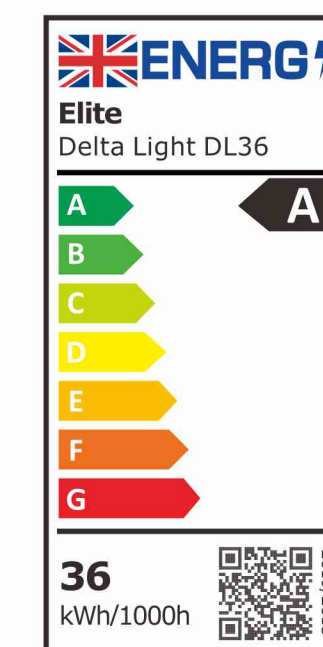
No.	Drawing / P.N. No.	Description
1	DL36-01	Cap -Top Cover
2	N/A	Self Tapping 2.5 x 10mm - Pan Pozi self coloured screws QTY 7
3	N/A	Upper lamp holder for LED fixing bar
4	N/A	Waterproof ring gasket for LED fixing bar
5	N/A	Waterproof o-ring gasket - diffuser seal
6	N/A	Diffuser - Opal
7	N/A	Heat sink - LED PCBA extrusion
8	N/A	LED Linear Strip board - 2-3W per board
9	N/A	LED Ring PCB connector
10	N/A	Diffuser compression ring
11	N/A	Waterproof o-ring gasket -diffuser compressor ring seal
12	LED36WULB	Top Cover base moulding
13	N/A	Self Tapping M4 x 16mm - Pan Pozi Plastech screws - Black QTY 6
14	N/A	Grommet- Cable entry bulkhead grommet
15	N/A	Lower lamp holder for LED fixing bar
16	N/A	Self Tapping M3 x 6mm - Pan Pozi Plastech screws - Diffuser retention screw QTY 7

6



No.	Drawing / P.N. No.	Description	No.	Drawing / P.N. No.	Description
17	N/A	Self Tapping M4 x 16mm - Pan Pozi Plastech screws - Base handle plate screws QTY 6	24	N/A	Machine Screws - M4 x 20mm BZP QTY 8
18	DL36-18	Base handle plate	25	N/A	Nyloc Nut - M4 QTY 8
19	DL36-19	Cable Management Strap	26	DL36-26	On / Off switch
20	N/A	Self Tapping Screw M4 x 8mm - Cable Management Strap QTY 1	27	DL36-27	Cable compression gland - PG11
21	DL36-19	M4 Washer - Cable Management Strap QTY 1	28	LED36WULD	36W LED Driver - Constant Current
22	DL36-22	Base Housing	29	N/A	Self Tapping Screw M3 x 8mm - LED Driver retaining screws QTY 2
23	16APS110	16A 110V Panel Socket incl gasket - BS60309 - Standard hole centres	30	DL36-30	Base Footplate
			31	N/A	Base Footplate fixing screws - Self Tapping M4 x 16mm - Pan Pozi Plastech screws - QTY 9
			32	LED36WUL MC	Mains In Cable - 3G 1.5mm H07 - RNF
			33	16AP110	Mains In Plug
			34	N/A	Cable clamp

7



This marking indicates that this product should not be disposed with other household wastes throughout the EU. To prevent possible harm to the environment or human health from uncontrolled waste disposal, Recycle it responsibly to promote the sustainable reuse of material resources. To return your used device. Please use the return and collection systems or contact the retailer where the product was purchased. They can take this product for environmentally safe recycling.



hsc THE HIRE SUPPLY COMPANY
7-10 Eldon Road Trading Estate,
Attenborough, Nottingham,
NG9 6DZ, UK

For more exciting products please visit our website or scan here

www.hscgroupuk.co.uk
Tel: +00 44 (0) 115 946 1988

HSC INDUSTRIAL AND COMMERCIAL EQUIPMENT (EU) LIMITED
First Floor, Penrose 1, Penrose Dock, Cork, T23 KW81. IRELAND.
Registered No: 68932

Controlled Document No: 00031UIRS0820V1