



PRODUCT MANUAL



Elite Hand Pallet Truck

E2500PTS



Serial Number Range:

Year Of Manufacture:

KEEP THIS BOOKLET FOR FUTURE REFERENCE



Nottingham: 0115 946 1988

London: 0208 830 3333



Nottingham: sales@hscgroupuk.co.uk

London: sean@hscgroupuk.co.uk

www.hscgroupuk.co.uk
The Hire Supply Company (UK) Limited





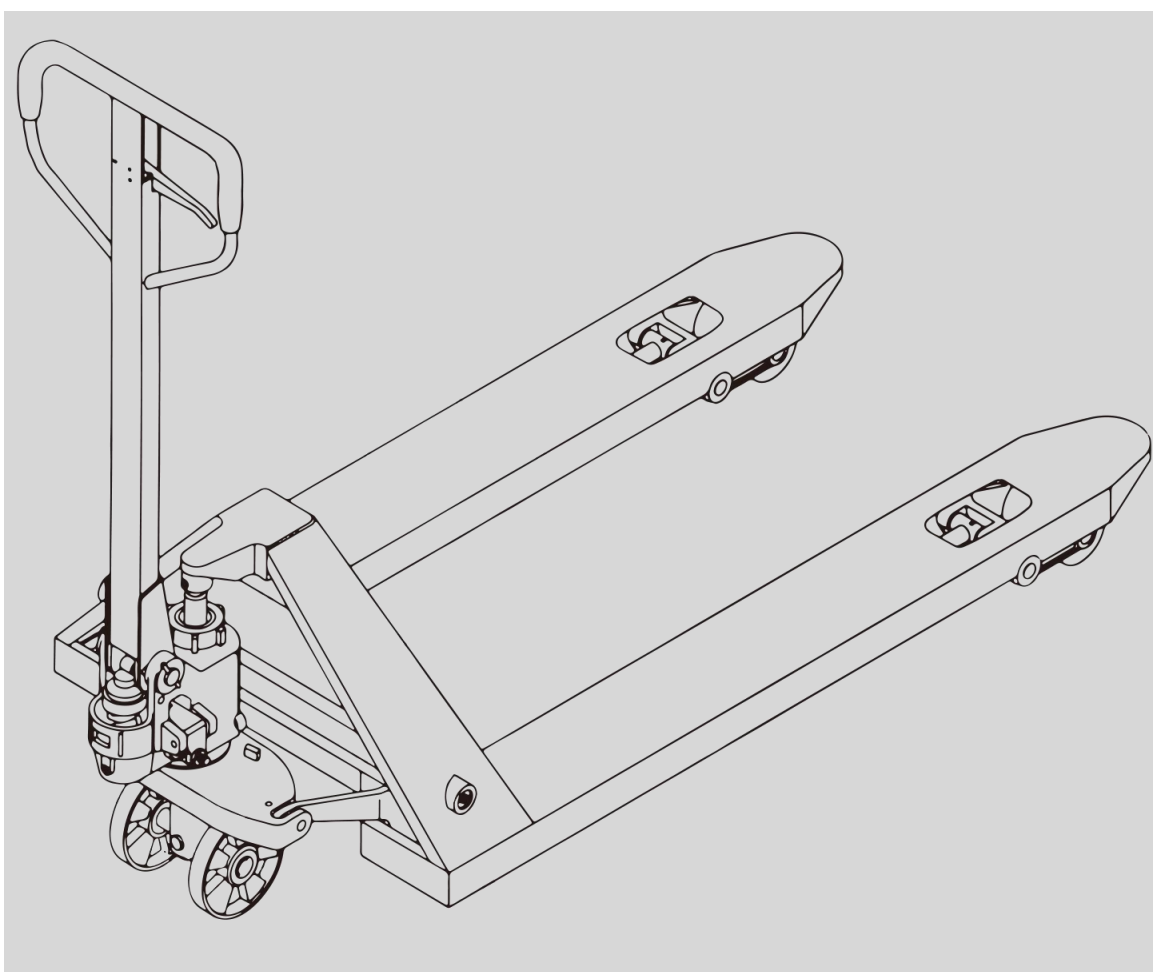
Operator manual & spare parts

Elite Hand Pallet Truck with BF Integrated Pump

WH20L-65 WH25L-65

PWH25-II PWH30-II PWH35-II

(85mm standard & 75mm profile)



Note: Owner and operator **MUST** read and understand this operating instructions before using this pallet truck.



The Hire Supply Company (UK) Limited
7-10 Eldon Road Trading Estate, Attenborough,
Nottingham, NG9 6DZ, UK - Tel: 0115 946 1988

HSC Industrial and Commercial Equipment (EU) Limited.
First Floor, Penrose 1, Penrose Dock, Cork, T23 KW81. IRELAND. Registered No.: 689232

HSCGROUPUK.CO.UK

ATTENTION:

1. To prevent possible harm to the environment or human health from uncontrolled waste disposal recycle waste packaging where possible. Recycle responsibly to promote the sustainable reuse of valuable raw materials.
2. In the event of unexpected leaking it is recommended a spill kit with absorbent materials is readily available. To avoid secondary pollution to the environment, any split oil or soiled materials should be handled and disposed with in accordance with local regulations and guidelines.

Thank you for choosing the Elite pallet truck.

For your safety and correct operation, please carefully read the manual before use.

NOTE: All of the information reported herein is based on data available at the time of printing. The manufacturer reserves the right to modify its products at any time without notice or incurring in any liability. Please verify with the manufacturer for possible updates.

1. GENERAL SPECIFICATIONS

| Model No. | | WH20L-65 WH25L-65 | PWH25-II | PWH30-II | PWH35-II |
|------------------------|------|-------------------------------------|----------|--------------------|----------|
| | Type | Profile | | Standard (85mm) | |
| Min. Fork Height | mm | 65 | 75 | 85 | |
| Max. Fork Height | mm | 180 | 190 | 200 | |
| Load Capacity | kg | 2000/2500 | 2500 | 3000 | 3500 |
| Fork Length | mm | 1150/1220 | | | |
| Width Overall Forks | mm | 520/540/685 | | | |
| Individual Fork Width | mm | 160 | | | |
| Double load wheel | mm | Ø60*70 | Ø74x70 | Ø80x70 | |
| Single load wheel | mm | Ø60*93 | Ø74x93 | Ø80x93 | |
| Type of load wheel | | Nylon or PU(Polyurethane) | | | |
| Steering Wheel size | mm | Ø160*50 | Ø180*50 | Ø200*50 or Ø180*50 | |
| Type of steering wheel | | Nylon or PU(Polyurethane) or Rubber | | | |

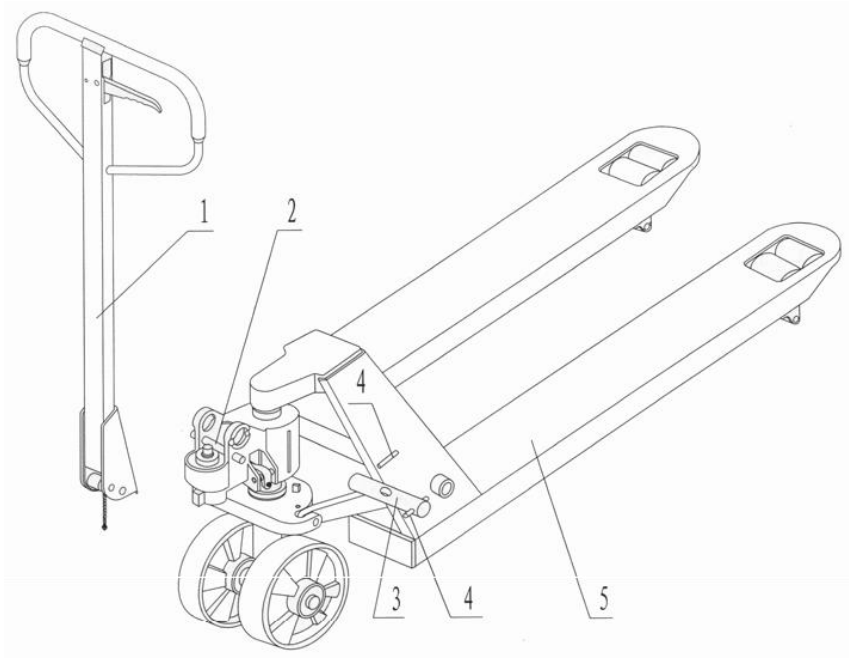
Special fork length are available 800, 900, 950, 1000, 1500, 2000mm.

Materials and specification are subject to change without notice.

2. TO ATTACH HANDLE TO PUMP UNIT

For efficient postage and packaging some minor assembly is required. To complete this you will need the following; hammer, pair of pliers and a spanner. The parts will be found located in a plastic bag affixed to the handle, these parts are as follows; one axle with hole, two split pins (**Note one is in the axle**).

NOTE: The number of handle and pump should be the same.



(Fig. 1)

- 1. Handle 2. Pin 3. Axle with hole 4. Split pin 5. Fork frame**

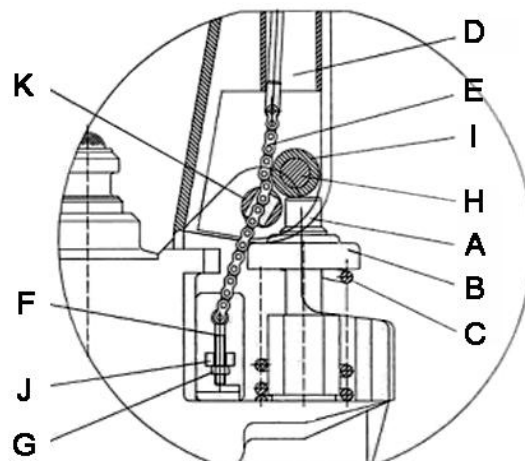
When attaching the handle, position yourself behind the pallet truck. Then follow the sequenced instructions:

2.1. Insert the handle onto the pump piston (A), then use a hammer to insert the axle with hole(K) into the hydraulic pump and handle **from the right to left**. (See fig. 2).



(Fig.2)

2.2. Set control handle to the '**LOWER**' position, then pass the adjusting nut (G), adjusting bolt (F) and chain (E) through the hole of axle(K) with your hand (See fig. 3)



(Fig.3)

2.3. Press the handle (D) down, take away the pin(2) (See Fig. 1).

2.4. Set the control handle on '**RAISE**' position, then raise the lever plate (J) with the pin (2) and insert the adjusting bolt(F) into the front slot of lever plate, note keep the adjusting nut (G) on the under side of the lever plate(J).

2.5 Use a hammer to tap another split pin into the axle with hole (K). The handle is now assembled to the pump.

3. TO ADJUST RELEASE DEVICE

On the handle of this pallet truck, you can find the control lever which can be regulated in three positions :

Raise - lever down

Drive position - lever in center position

Lower - lever up, the lever moves back the drive position when released.

If however they have been changed, you can adjust according to following step:

3.1 If the forks elevate while pumping in the **DRIVE** position, turn the adjusting nut on the adjusting bolt or adjusting screw clockwise until pumping action does not raise the forks and the **DRIVE** position functions properly.

3.2 If the forks descend while pumping in the **DRIVE** position, turn the nut or adjusting screw counter-clockwise until the forks do not lower.

3.3 If the forks do not descent when the control handle is in the **LOWER** position, turn the nut or adjusting screw clockwise until raising the control handle lowers the forks. Then check the **DRIVE** position according to item 3.1 and 3.2 to be sure the nut or adjusting screw is in the proper position.

3.4 If the forks do not elevate while pumping in the **RAISE** position, turn the nut or adjusting screw counter-clockwise until the forks elevate while pumping in the **RAISE** position. Then check the **LOWER** and **DRIVE** position according to item 3.1, 3.2 and 3.3.

4. MAINTENANCE

Your pallet truck is largely maintenance-free.

4.1 Hydraulic Oil

Please check the oil level every six months. The oil capacity is about 0.3lt. Use the hydraulic type oil according to temperature scale below.

| Temperature | Oil |
|-------------|----------------------|
| -20°C~+40°C | L-HV46 Hydraulic oil |

4.2 HOW TO EXPEL AIR FROM THE PUMP UNIT

The air may be introduced into the hydraulic oil because of transportation or pump in incorrect orientation. It can cause that the forks do not elevate while pumping in the **RAISE** position. The air can be removed in the following way: let the control handle on the **LOWER** position, then move the handle up and down for several times.

4.3 DAILY CHECK AND MAINTENANCE

Daily check of the pallet truck can limit wear as much as possible. Special attention should be paid to the wheels and axles, as common place debris such as plastic wrap or banding may wrap around and impede function. The forks should be unloaded and lowered in the lowest position when not in use.

4.4 LUBRICATION

Use motor oil or grease to lubricate all moveable parts.

5. GUIDE TO SAFETY OPERATION

For safe operation of the Hand Pallet Truck, please read all warning signs and instructions here and on the pallet truck prior to use.

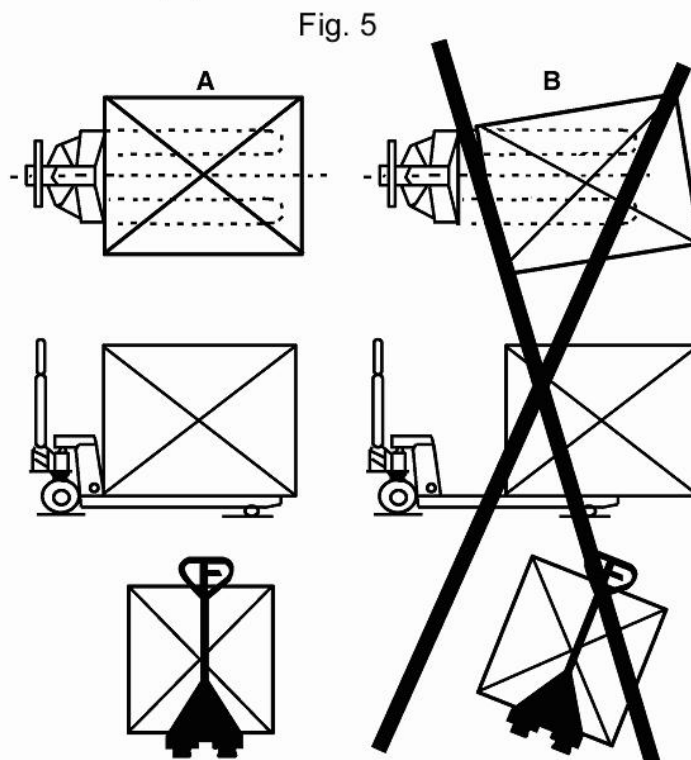
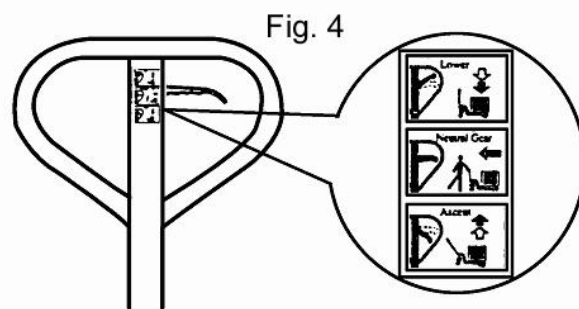
- 5.1 Do not operate the pallet truck unless you are familiar with it and have been trained or authorized to do so.
- 5.2 Do not operate the truck unless you have been trained and authorized. Give special attention to the wheels, the handle assembly, the forks, and the lower control.
- 5.3 Do not use the truck on sloping or uneven ground.
- 5.4 Never place any part of your body in the lifting mechanism or under the forks or load. Do not carry passengers.
- 5.5 We advise that operators should wear gloves and safety shoes.
- 5.6 Do not handle unstable or loosely stacked loads.
- 5.7 Do not overload the truck.
- 5.8 Always place loads centrally across the forks and not at the end of the forks (See Fig. 2).
- 5.9 The capacity of the truck assumes an evenly distributed load with the centre of the load being at the halfway point of the length of the forks.
- 5.10 Make sure that length of the forks matches the length of the pallet.
- 5.11 Lower the forks to lowest height when the truck is not being used.
- 5.12 In other specific conditions the operators should take extra care in operating the truck.

6. TROUBLES SHOOTING

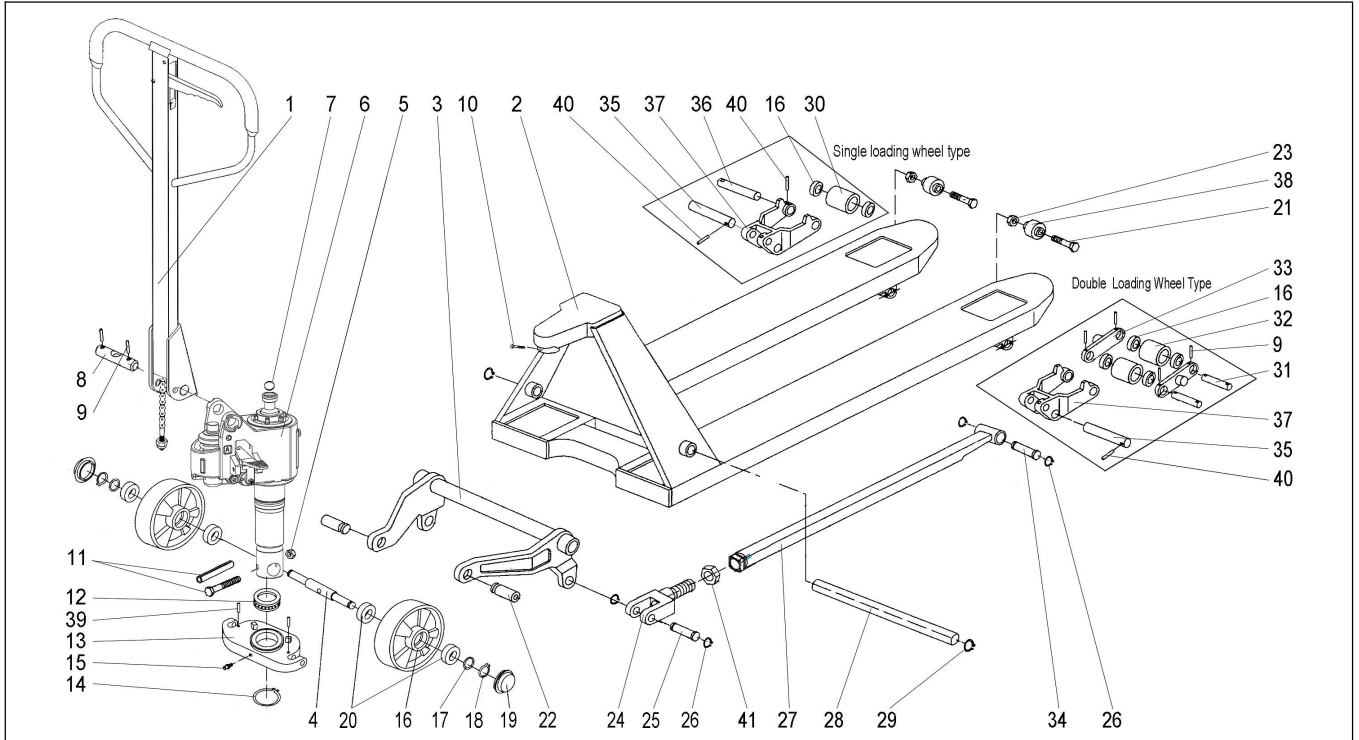
| No | Trouble | CAUSE | ACTION |
|----|--|--|---|
| 1 | The forks can not reach the max. height. | - The hydraulic oil is insufficient. | - Top up the oil reservoir. |
| 2 | The forks can not be lifted up. | - No hydraulic oil. - The oil has impurities. - The nut is too high or the screw is too close, keep the pumping valve open. - Air within the hydraulic oil. | - Fill with hydraulic oil. - Change the oil. - Adjust the nut or the screw .(see item 3.4) - Remove the air.(see item 4.2) |
| 3 | The forks can not be lowered. | - The piston rod or pump body is deformed resulting from partial loading slanting to one side or over-loading. - The fork was kept in the high position for long time with piston rod exposed causing corrosion and jamming of the rod in position. - The adjusting nut or the screw is not in the correct position. | - Replace the piston rod or pump body. - Keeping the fork in the lowest position if not using, and pay attention to lubricate the rod. - Adjust the nut or the screw.(see item 3.3) |
| 4 | Leaks | - Sealing parts worn or damaged. - Some part cracked or worn . | - Replace with the new one. - Replace with the new one. |

| | | | |
|---|---|--|---|
| 5 | The fork lowers without the release valve operated. | <ul style="list-style-type: none"> - The impurities in the oil cause the release valve to be unable to close tight. - Some parts of hydraulic system is cracked or bored. - Air within the oil. - Sealing parts worn or damaged. - The adjusting nut or the screw is not in the correct position. | <ul style="list-style-type: none"> - Replace with new oil. - Inspect and replace the waste parts. - Remove the air. (See item 4.2) - Replace with the new one. - Adjusting the nut or the screw . (See item 3.2) |
|---|---|--|---|

***NOTE: DO NOT ATTEMPT TO REPAIR THE PALLET TRUCK UNLESS YOU ARE TRAINED AND AUTHORIZED TO DO SO.**

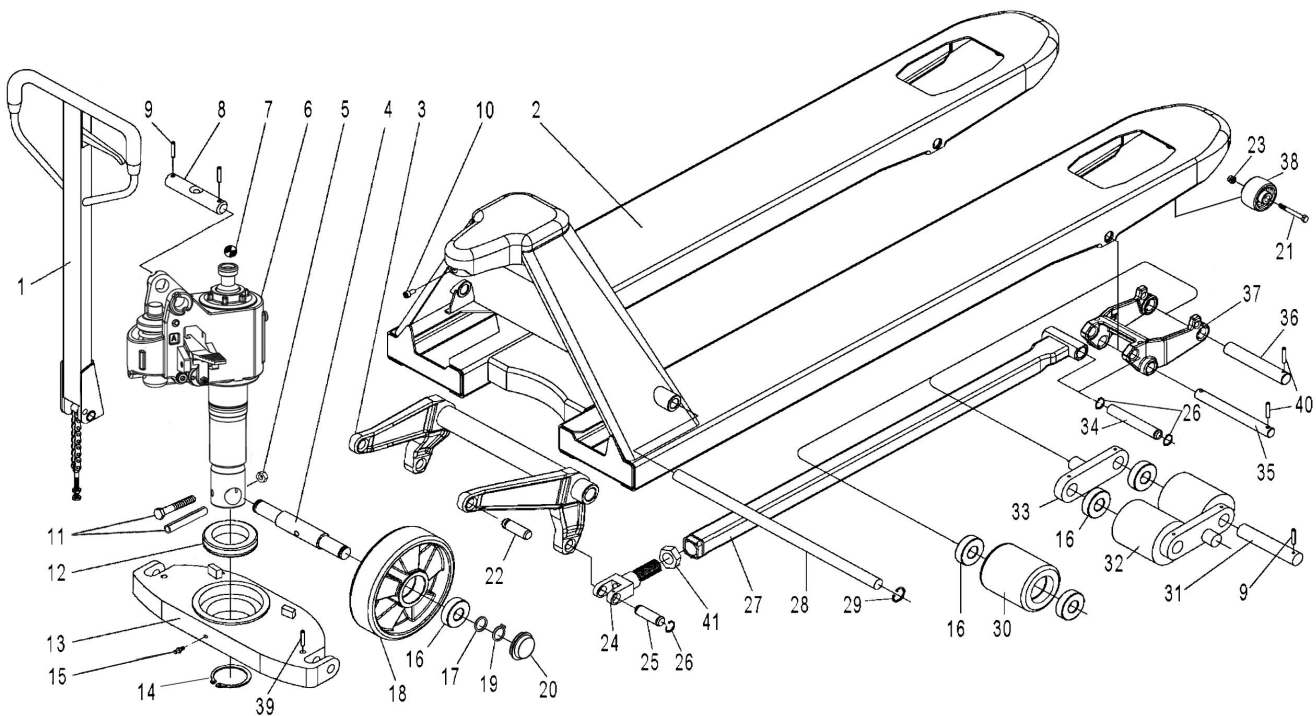


General parts for PWH25-II/PWH30-II/PWH35-II



| No | Part No. | Description | Qty | No | Part No. | Description | Qty |
|----|------------|---|------|------------|----------------------|--------------------------------|----------------|
| 1 | 17010101 | Handle assembly | 1 | 20 | 17010116 | PU Steering wheel Ø180*50 | 2 |
| 2 | 17010102 | Chasis (540*1150) (2.5T/3T) | 1 | | 17010117 | Nylon Steering wheel Ø180*50 | 2 |
| | 17010102-1 | Chasis (685*1220) (2.5T/3T) | 1 | | 17010116-1 | PU Steering wheel Ø200*50 | 2 |
| | 17010102-2 | Chasis (540*1150) (3.5T) | 1 | | 17010117-1 | Nylon Steering wheel Ø200*50 | 2 |
| | 17010102-3 | Chasis (685*1220) (3.5T) | 1 | | 17010116-2 | Rubber Steering wheel Ø180*50 | 2 |
| | | | | | 17010117-2 | Rubber Steering wheel Ø200*50 | 2 |
| 3 | 17010103 | Rocker arm 550 (2.5T/3T) | 1 | | 21 | 17010123 | Hex bolt M6×50 |
| | 17010104 | Rocker arm 685 (2.5T/3T) | 1 | 22 | 17010124 | Axle 16×40 | 12 |
| | 17010103-1 | Rocker arm 550 for (3.5T) | 1 | 23 | 17010143 | Locknut M6 | 2 |
| | 17010104-1 | Rocker arm 685 for (3.5T) | 1 | 24 | 17010126 | Rod end | 2 |
| 4 | 17010105 | Steering wheel shaft 25*170 | 1 | 25 | 17010127 | Axle 16×49 | 2 |
| 5 | 17010106 | Locknut M8(Matching with item 11) | 1 | 26 | 17010128 | Snap ring 16 | 6 |
| 6 | 17010107 | BF pump assembly (2.5T/3T) with Ø180 steering wheel | 1 | 27 | 17010129 | Push rod 1150 (2.5T/3T) | 2 |
| | 17010107-1 | BF pump assembly (2.5T/3T) with Ø200 steering wheel | 1 | | 17010129-1 | Push rod 1220 (2.5T/3T) | 2 |
| | 17010107-2 | BF pump assembly (3.5T) with Ø180 steering wheel | 1 | | 17010129-2 | Push rod 1150 (3.5T) | 2 |
| | 17010107-3 | BF pump assembly (3.5T) with Ø200 steering wheel | 1 | 17010129-3 | Push rod 1220 (3.5T) | 2 | |
| 7 | 17010108 | Steel ball Φ19 | 1 | 28 | 17010130 | Rocker shaft 550 | 1 |
| | 17010109 | Shaft for handle 20*103 | 1 | 17010130-1 | Rocker shaft 685 | 1 | |
| 8 | 17010109 | Shaft for handle 20*103 | 1 | 29 | 17010131 | Snap ring 25 | 2 |
| 9 | 17010110 | Spring pin 5×35 | 1/9 | 30 | 17010132 | PU single load wheel Ø80*93 | 2 |
| 10 | 17010111 | Hex screw M6×12 | 1 | | 17010133 | Nylon single load wheel Ø80*93 | 2 |
| 11 | 17010112 | Bolt M8×55(Matching with item 5) | 1 | 31 | 17010134 | Axle 20×94 | 4 |
| | 17010112-1 | Spring pin 8*50 (New design) | 1 | 32 | 17010135 | PU double load wheel Ø80*70 | 4 |
| 12 | 17010113 | Bearing 51111 | 1 | | 17010136 | Nylon Double load wheel Ø80*70 | 4 |
| 13 | 17010114 | Supporting seat | 1 | 33 | 17010137 | Plate | 4 |
| 14 | 17010115 | Snap ring 55 | 1 | 34 | 17010138 | Shaft 16×92 | 2 |
| 15 | 17010120 | Grease nipple | 1 | 35 | 17010139 | Shaft 20×154 | 2 |
| 16 | 17010118 | Bearing 6204-2RS | 8/12 | 36 | 17010140 | Shaft 20×122 | 2 |
| 17 | 17010119 | Gasket | 2 | 37 | 17010141 | Wheel fork | 2 |
| 18 | 17010121 | Snap ring 20 | 2 | 38 | 17010144 | Wheel 50×36 | 2 |
| 19 | 17010122 | Dust cap | 2 | 39 | 17010125 | Spring pin 5×30 | 2 |
| | | | | 40 | 17010145 | Spring pin 5×32 | 2/4 |
| | | | | 41 | 17010142 | Nut M20*9 | 2 |

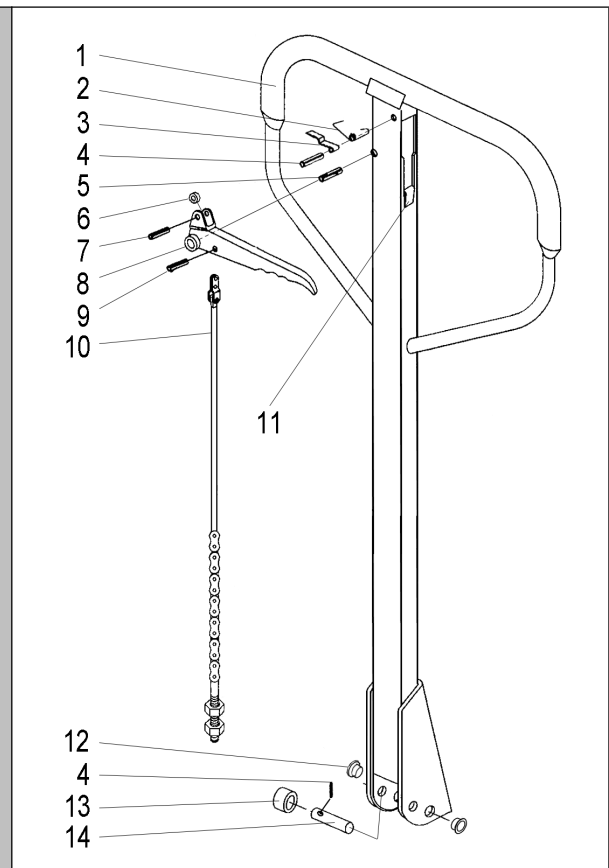
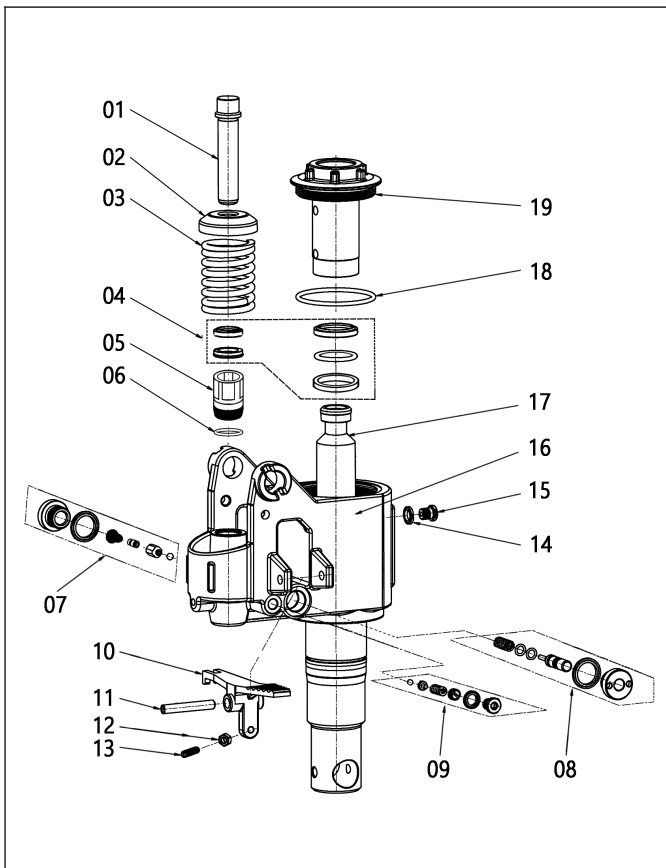
**General parts for WH20L-65/WH25L-65(with 65mm profile)
& PWH25-II-75(with 75mm profile)**



| No | New P/N | Description | QTY | No | New P/N | Description | QTY |
|----|------------|--|---------------|----|------------|--|--|
| 1 | 17010101 | Handle assembly | 1 | 22 | 17010124 | Axle 16×40 | 12 |
| 2 | 17010102 | Chasis (540*1150) (75 low profile) | 1 | 23 | 17010143 | Locknut M6 | 2 |
| | 17010102-1 | Chasis (685*1220) (75 low profile) | 1 | 24 | 17010126 | Rod end | 2 |
| | 17010102-2 | Chasis (540*1150) (65 low profile) | 1 | 25 | 17010127 | Axle 16×49 | 2 |
| | 17010102-3 | Chasis (685*1220) (65 low profile) | 1 | 26 | 17010128 | Snap ring 16 | 4 |
| 3 | 17010103 | Rocker arm 550 | 1 | 27 | 17010129 | Push rod 1150 | 2 |
| | 17010104 | Rocker arm 685 | 1 | | 17010129-1 | Push rod 1220 | 2 |
| 4 | 17010105 | Steering wheel shaft 25*170 | 1 | 28 | 17010130 | Rocker shaft 550 | 1 |
| 5 | 17010106 | Locknut M8(Matching with item 11) | 1 | | 17010130-1 | Rocker shaft 685 | 1 |
| 6 | 17010107-1 | BFi pump assembly for (75 low profile) | 1 | 29 | 17010131 | Snap ring 25 | 2 |
| | 17010107-4 | BFi pump assembly for (65 low profile) | 1 | 30 | 17010132-2 | PU single load wheel Ø74*93 (75 low profile) | 2 |
| 7 | 17010108 | Steel ball Φ19 | 1 | 30 | 17010133-6 | Nylon Single load wheel Ø74*93 (75 low profile) | 2 |
| 8 | 17010109 | Shaft for handle 20*103 | 1 | 30 | 17990008-4 | PU single load wheel Ø60*93 (65 low profile) | 2 |
| 9 | 17010110 | Spring pin 5×35 | 12/16 | 30 | 17990008-5 | Nylon Single load wheel Ø60*93 (65 low profile) | 2 |
| 10 | 17010111 | Hex screw M6×12 | 1 | 31 | 17010134 | Axle 20×94 (75 low profile) | 4 |
| 11 | 17010112 | Bolt M8×55(Matching with item 5) | 1 | | 17010134-1 | Axle 17×94 (65 low profile) | 4 |
| | 17010112-1 | Spring pin 8*50 (New design) | 1 | 32 | 17990008 | PU Double load wheel Ø74*70 (75 low profile) | 4 |
| | 12 | 17010113 | Bearing 51111 | | 1 | 17990008-2 | Nylon Double load wheel Ø74*70 (75 low profile) |
| 13 | 17010114 | Supporting seat | 1 | | 17990008-6 | PU Double load wheel Ø60*70 (65 low profile) | 4 |
| 14 | 17010115 | Snap ring 55 | 1 | | 17990008-7 | Nylon Double load wheel Ø60*70 (65 low profile) | 4 |
| 15 | 17010120 | Grease nipple | 1 | 33 | 17010137 | Plate (75 low profile) | 4 |
| 16 | 17010118 | Bearing 6204-2RS (75 low profile) | 8/12 | | 17010137-1 | Plate small (65 low profile) | 4 |
| | 17010118-1 | Bearing 6203-2RS (65 low profile) | 8/12 | 34 | 17010138 | Shaft 16×92 | 2 |
| 17 | 17010119 | Gasket | 2 | 35 | 17010139-1 | Shaft 16*152 (75 low profile) | 2 |
| 18 | 17010116 | PU Steering wheel Ø180 (75 low profile) | 2 | | 17010139-1 | Shaft 16*154 (65 low profile) | 2 |
| | 17010117 | Nylon Steering wheel Ø180 (75 low profile) | 2 | 36 | 17010140 | Shaft 20×122 | 2 |
| | 17010116-2 | Rubber Steering wheel Ø180 (75 low profile) | 2 | 37 | 17010141 | Wheel fork (75 low profile) | 2 |
| | 17020112 | PU Steering wheel Ø160 (65 low profile) | 2 | | 17010141-1 | Wheel fork (65 low profile) | 2 |
| | 17020113 | Nylon Steering wheel Ø160 (65 low profile) | 2 | 38 | 17010144 | Wheel 50×36 | 2 |
| | 17020113-2 | Rubber Steering wheel Ø160 (65 low profile) | 2 | 39 | 17010125 | Spring pin 5×30 | 2 |
| 19 | 17010121 | Snap ring 20 | 2 | 40 | 17010145 | Spring pin 5×32 | 2/4 |
| 20 | 17010122 | Dust cap | 2 | 41 | 17010142 | Nut M20*9 | 2 |
| 21 | 17010123 | Hex bolt M6×50 | 2 | | | | |

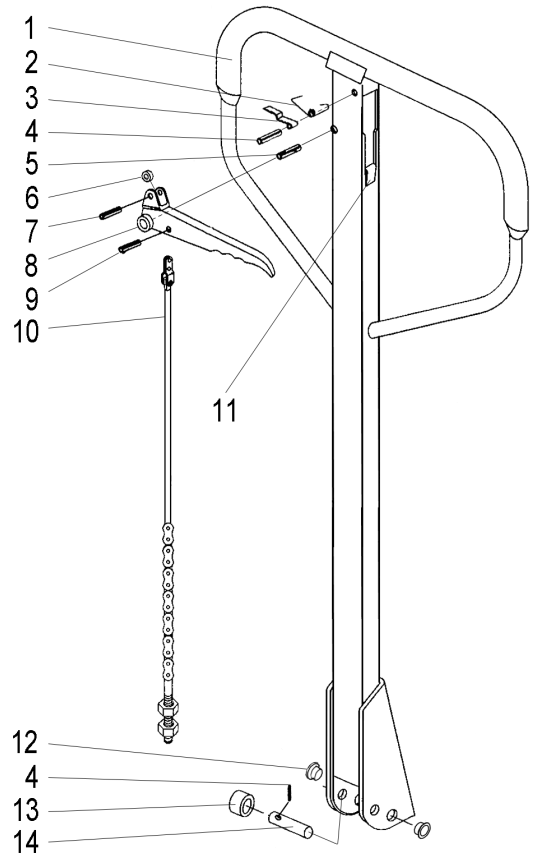
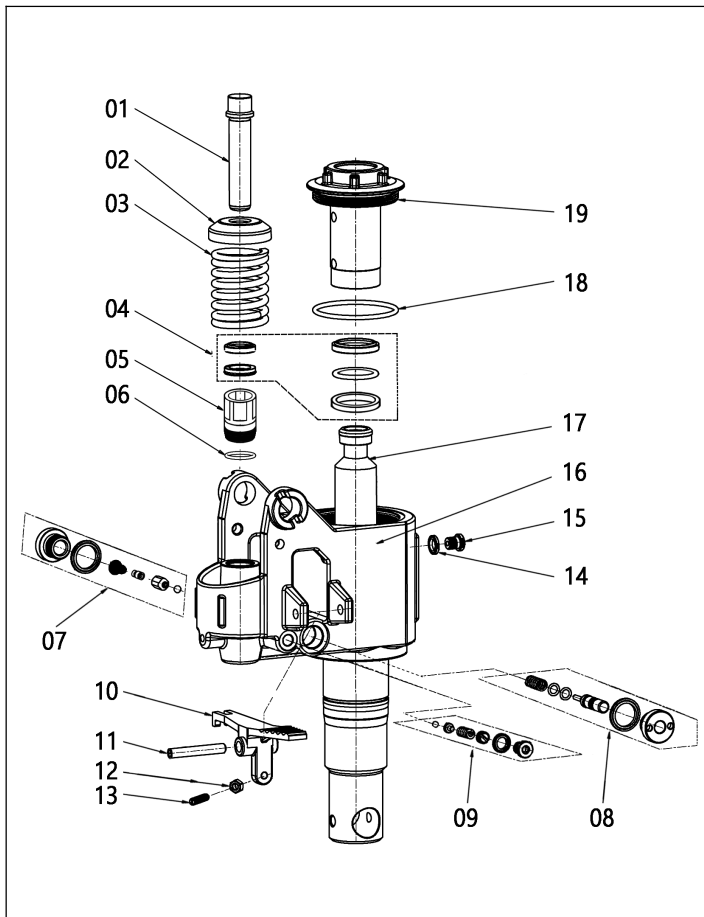
Pump & handle parts details

PWH25-II PWH30-II



| No. | Part No. | Description | Qty | Item | Parts No. | Parts details | Qty |
|-----|----------|----------------------------------|-----|------|-----------|---------------------------|-----|
| 01 | 17010201 | Small pump core | 1 | 1 | 17010316 | Draw-bar | 1 |
| 02 | 17010202 | Cover of spring | 1 | 2 | 17010327 | Torsional Spring | 1 |
| 03 | 17010205 | Big spring | 1 | 3 | 17010310 | Blade Spring | 1 |
| 04 | 17010332 | Pump seals kit Ø31.5 for 2.5T/3T | 1 | 4 | 17010311 | Spring Pin 4x30 | 2 |
| 05 | 17010360 | Small cylinder | 1 | 5 | 17010314 | Spring Pin 6x30 | 1 |
| 06 | 17010361 | Copper gasket | 1 | 6 | 17010312 | Roller | 1 |
| 07 | 17010328 | Check valve | 1 | 7 | 17010313 | Spring Pin 4x17 | 1 |
| 08 | 17010330 | Relief valve | 1 | 8 | 17010315 | Control Handle | 1 |
| 09 | 17010329 | Safety valve | 1 | 9 | 17010333 | Spring Pin 4x13 | 1 |
| 10 | 17010302 | Lever plate | 1 | 10 | 17010335 | Release rod & chain assy. | 1 |
| 11 | 17010303 | Spring pin 8×50 | 1 | 11 | 17010331 | Rubber pad | 1 |
| 12 | 17010227 | Nut | 1 | 12 | 17010325 | Bushing 20*15 | 2 |
| 13 | 17010301 | Bolt | 1 | 13 | 17010318 | Pressure Roller 26*14*22 | 1 |
| 14 | 17010219 | Seal washer | 1 | 14 | 17010317 | Roller Axle 12*60 | 1 |
| 15 | 17010220 | Bolt | 1 | | | | |
| 16 | 17010213 | Pump body | 1 | | | | |
| 17 | 17010309 | Piston rod Ø31.5 for 2.5T/3T | 1 | | | | |
| 18 | 17010305 | O-ring 69×2.65 | 1 | | | | |
| 19 | 17010306 | Slide bushing Ø31.5 for 2.5T/3T | 1 | | | | |

Pump & handle parts details for PWH35-II

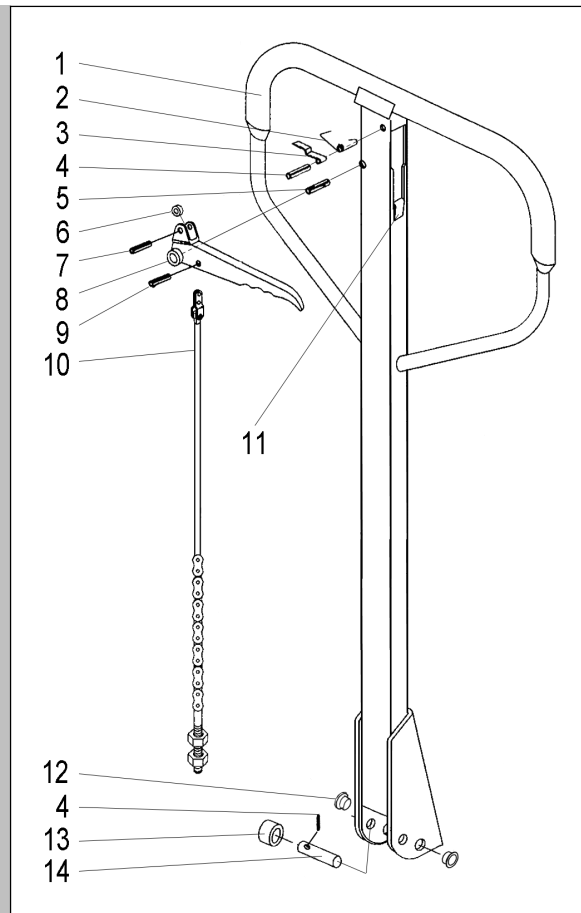
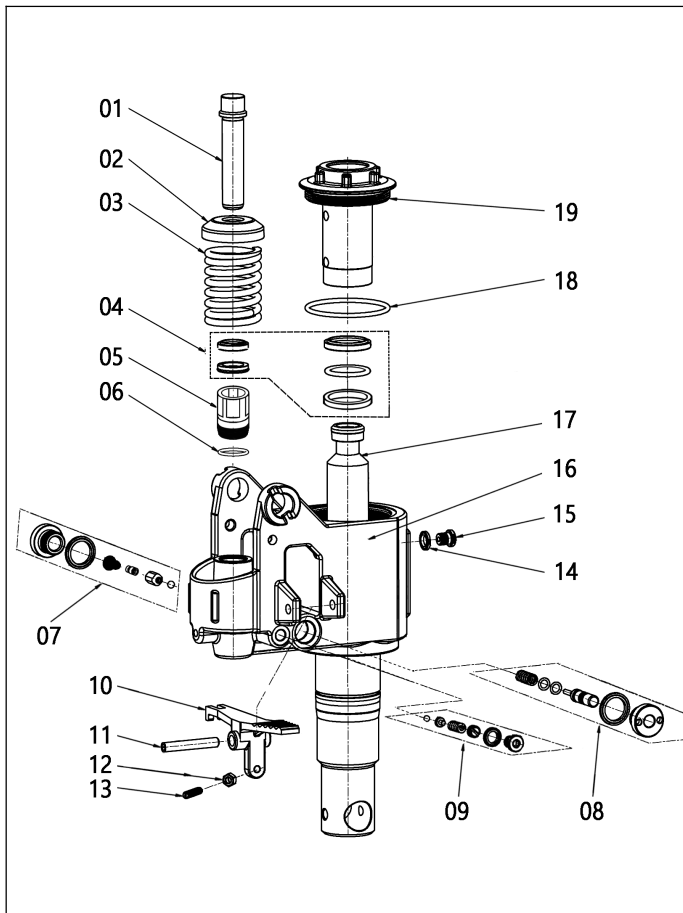


| Item | Parts No. | Parts details | Qty. |
|------|------------|-----------------------------|------|
| 01 | 17010201 | Small pump core | 1 |
| 02 | 17010202 | Cover of spring | 1 |
| 03 | 17010205 | Big spring | 1 |
| 04 | 17010332-1 | Pump seals kit Ø35 for 3.5T | 1 |
| 05 | 17010360 | Small cylinder | 1 |
| 06 | 17010361 | Copper gasket | 1 |
| 07 | 17010328 | Check valve | 1 |
| 08 | 17010330 | Relief valve | 1 |
| 09 | 17010329 | Safety valve | 1 |
| 10 | 17010302 | Lever plate | 1 |
| 11 | 17010303 | Spring pin 8×50 | 1 |
| 12 | 17010227 | Nut | 1 |
| 13 | 17010301 | Bolt | 1 |
| 14 | 17010219 | Seal washer | 1 |
| 15 | 17010220 | Bolt | 1 |
| 16 | 17010213 | Pump body | 1 |
| 17 | 17010309-2 | Piston rod Ø35 for 3.5T | 1 |
| 18 | 17010305 | O-ring 69×2.65 | 1 |
| 19 | 17010306-2 | Slide bushing Ø35 for 3.5T | 1 |

| Item | Parts No. | Parts details | Qty. |
|------|-----------|---------------------------|------|
| 1 | 17010316 | Draw-bar | 1 |
| 2 | 17010327 | Torsional Spring | 1 |
| 3 | 17010310 | Blade Spring | 1 |
| 4 | 17010311 | Spring Pin 4x30 | 2 |
| 5 | 17010314 | Spring Pin 6x30 | 1 |
| 6 | 17010312 | Roller | 1 |
| 7 | 17010313 | Spring Pin 4x17 | 1 |
| 8 | 17010315 | Control Handle | 1 |
| 9 | 17010333 | Spring Pin 4x13 | 1 |
| 10 | 17010335 | Release rod & chain assy. | 1 |
| 11 | 17010331 | Rubber pad | 1 |
| 12 | 17010325 | Bushing 20*15 | 2 |
| 13 | 17010318 | Pressure Roller 26*14*22 | 1 |
| 14 | 17010317 | Roller Axle 12*60 | 1 |

Pump & handle parts details

WH20L-65/WH25L-65 & PWH25-II-75(with 75mm profile)



| No. | New P/N | Description | QTY | Item | Parts No. | Parts details | Qty. |
|-----|------------|--|-----|------|-----------|---------------------------|------|
| 01 | 17010201 | Small pump core | 1 | 1 | 17010316 | Draw-bar | 1 |
| 02 | 17010202 | Cover of spring | 1 | 2 | 17010327 | Torsional Spring | 1 |
| 03 | 17010205 | Big spring | 1 | 3 | 17010310 | Blade Spring | 1 |
| 04 | 17010332 | Pump seal kits | 1 | 4 | 17010311 | Spring Pin 4x30 | 2 |
| 05 | 17010360 | Small cylinder | 1 | 5 | 17010314 | Spring Pin 6x30 | 1 |
| 06 | 17010361 | Copper gasket | 1 | 6 | 17010312 | Roller | 1 |
| 07 | 17010328 | Check valve | 1 | 7 | 17010313 | Spring Pin 4x17 | 1 |
| 08 | 17010330 | Relief valve | 1 | 8 | 17010315 | Control Handle | 1 |
| 09 | 17010329 | Safety valve | 1 | 9 | 17010333 | Spring Pin 4x13 | 1 |
| 10 | 17010302 | Lever plate | 1 | 10 | 17010335 | Release rod & chain assy. | 1 |
| 11 | 17010303 | Spring pin 8x50 | 1 | 11 | 17010331 | Rubber pad | 1 |
| 12 | 17010227 | Nut | 1 | 12 | 17010325 | Bushing 20*15 | 2 |
| 13 | 17010301 | Bolt | 1 | 13 | 17010318 | Pressure Roller 26*14*22 | 1 |
| 14 | 17010219 | Seal washer | 1 | 14 | 17010317 | Roller Axle 12*60 | 1 |
| 15 | 17010220 | Bolt | 1 | | | | |
| 16 | 17010213 | Pump body | 1 | | | | |
| 17 | 17010309 | Piston rod standard for 75 low profile | 1 | | | | |
| | 17010309-1 | Piston rod special for 65 low profile | 1 | | | | |
| 18 | 17010305 | O-ring 69x2.65 | 1 | | | | |
| 19 | 17010306 | Slide bushing Ø31.5 | 1 | | | | |



Recycling



ENVIRONMENTAL PROTECTION: Please recycle any unwanted materials as opposed to disposing them as general waste. It is recommended the original is retained and used to store the product when not in use for prolonged periods of time. If this is not applicable ensure the materials are sorted and recycled in accordance with local regulations



SPECIFICATION CHANGE: It is our policy to continually improve products to ensure these meet the rigours of the industry we serve. Therefore, as such we reserve the right to alter specifications, data, components & parts without prior notice.

WARRANTY: Please refer to the manufactures terms & conditions

IMPORTANT: No liability will be accepted for the incorrect use of this product.

KEEP THIS BOOKLET FOR FUTURE REFERENCE



Nottingham: 0115 946 1988

London: 0208 830 3333



Nottingham: sales@hscgroupuk.co.uk

London: sean@hscgroupuk.co.uk

www.hscgroupuk.co.uk
The Hire Supply Company (UK) Limited

